

AMERICAN ORNITHOLOGISTS' UNION

PUBLICATIONS
FOR SALE



"Check-list of North American Birds"

Fifth Edition, 1957 postpaid \$8.00 per copy

"Recent Studies in Avian Biology"

479 pages, bound postpaid \$7.50 per copy

"Biographies of Members of the A.O.U."

Bound postpaid \$5.00 per copy

Unbound postpaid \$4.00 per copy

"Ten Year Indexes to The Auk"

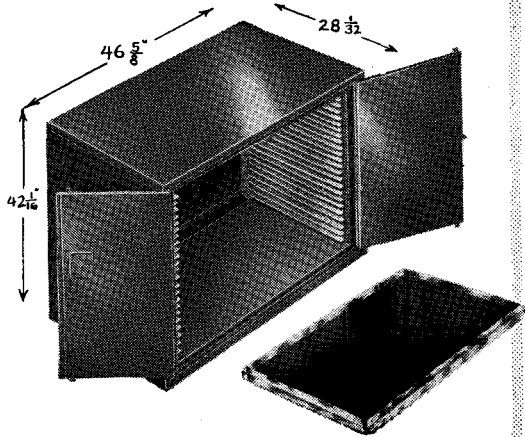
Bound postpaid \$4.00 per copy

Unbound postpaid \$3.00 per copy



Write for price list of back issues of The Auk.

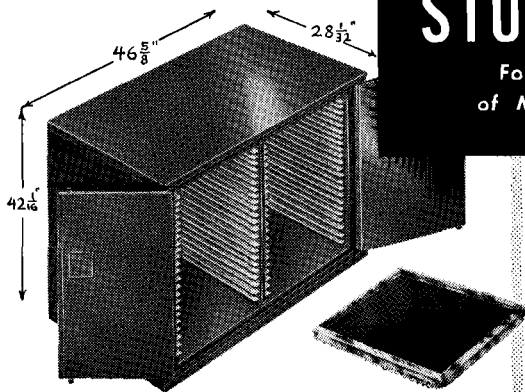
Order from: **The Treasurer,**
American Ornithologists' Union,
Fernow Hall, Cornell University,
Ithaca, New York



Skin Case #201 for Large Trays

**SKIN CASES
FOR
MAXIMUM
PROTECTION
CONVENIENCE
ECONOMY!**

Lane



Skin Case #202 for Small Trays

ZOOLOGICAL AND ORNITHOLOGICAL

SPECIMEN STORAGE CASE

*For Protective Storage
of Mammal & Bird Skins*

- Locked "Live Rubber" Seal
- Sturdy double panel doors
- Locking mechanism secures both doors
- Tray guides permit maximum position of tray positions
- Fumigant Compartment
- Specimen Trays of aluminum and masonite — light weight — easy to handle.

FOR ILLUSTRATED BROCHURE WRITE

Institutional Division

CHAS. J.

Lane CORP.

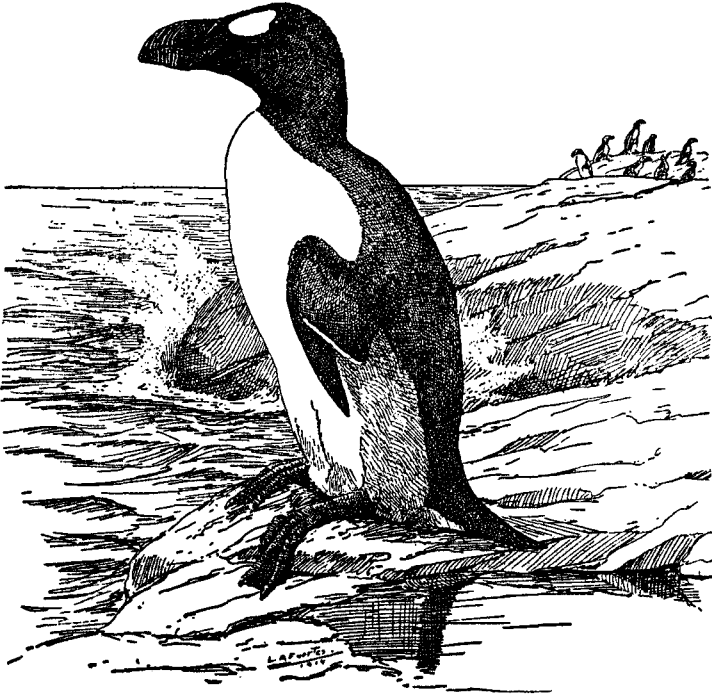
105 CHAMBERS STREET, NEW YORK 7, N. Y.

The Auk

A Quarterly Journal of Ornithology

EDITOR
DONALD S. FARNER

MANAGING EDITOR
HENRY GROSSHANS



VOLUME 77

PUBLISHED BY

The American Ornithologists' Union
LANCASTER, PENNSYLVANIA

1960

DATES OF ISSUE OF "THE AUK"

VOL. 77, No. 1—20 JANUARY 1960

VOL. 77, No. 2—30 APRIL 1960

VOL. 77, No. 3—22 AUGUST 1960

VOL. 77, No. 4—28 OCTOBER 1960

CONTENTS OF VOLUME 77

NUMBER 1

FAT-FREE WEIGHTS OF BIRDS. <i>Clyde E. Connell, Eugene P. Odum, and Herbert Kale</i>	1
ON THE TEMPORAL PATTERN OF NOCTURNAL MIGRATION IN THRUSHES. <i>D. A. Vleugel</i>	10
SECONDARY ARTICULATION OF THE AVIAN MANDIBLE. <i>Walter J. Bock</i>	19
PROCEEDINGS OF THE SEVENTY-SEVENTH STATED MEETING OF THE AMERICAN ORNITHOLOGISTS' UNION. <i>H. G. Deignan, Secretary</i>	56
TREASURER'S REPORT FOR THE PERIOD AUGUST 1, 1958-JULY 31, 1959.....	69
REPORT TO THE AMERICAN ORNITHOLOGISTS' UNION BY THE COMMITTEE ON BIRD PROTECTION, 1959	73
REPORT OF THE RESEARCH COMMITTEE FOR 1959.....	78
GENERAL NOTES	
Bachman's Sparrow Hiding in a Burrow. <i>James A. Pittman, Jr.</i>	80
Mutation in an African Flycatcher, <i>Dyaphorophya concreta</i> . <i>Melvin A. Traylor</i>	80
First Specimens of Sooty Shearwater for Delaware. <i>Peter W. Post</i>	82
Semipalmated Sandpiper and Western Sandpiper in Tamaulipas. <i>George Miksch Sutton</i>	83
Color of the Tarsi and Toes of the Black Rail. <i>Brooke Meanley and Robert E. Stewart</i>	83
The Basis of Color Dilution in an Albinistic Blue Jay. <i>John Whitaker</i>	84
Egg Replacement by a House Wren: Incubation Period. <i>Hervey Brackbill</i>	85
Communal Courtship in the Ruffed Grouse, <i>Bonasa umbellus</i> L. <i>David A. Adams</i>	86
Errors Concerning the Date and Source of the Name <i>Melanotrochilus Eudesteslongchamps</i> (Trochilidae). <i>Robert M. Mengel</i>	87
The Skeleton and Systematic Position of <i>Gampsonyx</i> . <i>Pierce Brodkorb</i>	88
The Duration of Postnuptial Metabolic Refractoriness in the White-crowned Sparrow. <i>James R. King, Richard Mewaldt, and Donald S. Farner</i>	89
Nesting of Louisiana Waterthrush and White-throated Sparrow in Eastern Coastal Massachusetts. <i>Henry S. Forbes and Jane D. O'Regan</i>	92
A Substitute Name for <i>Crypturellus strigulosus peruvianus</i> . <i>Emmet R. Blake</i>	92
Thick-billed Kingbird Nesting in New Mexico. <i>Dale A. Zimmerman</i>	92
The Migratory Status of Some Western Desert Birds. <i>Gordon W. Gullion</i>	94
REVIEWS	96
RECENT LITERATURE. Edited by <i>Frank McKinney</i>	101
NOTES AND NEWS.....	115
OBITUARIES	117

NUMBER 2

NORTHWARD FALL MIGRATION ON THE ATLANTIC COAST AND ITS RELATION TO OFFSHORE DRIFT. <i>James Baird and Ian C. T. Nisbet</i>	119
A STUDY OF THE FORAGING BEHAVIOR OF TWO SPECIES OF ANT-TANAGERS. <i>Edwin Willis</i>	150
THE INFLUENCE OF WEATHER ON PASSERINE MIGRATION. A REVIEW. <i>David Lack</i>	171
THREE NEW SUBSPECIES OF BIRDS FROM WESTERN NORTH AMERICA. <i>Thomas D. Burleigh</i>	210
GENERAL NOTES	
Intramuscular Fat Store in the Pectoralis of Birds. <i>J. C. George and R. M. Naik</i> ..	216
Note on the Palearctic Robins. <i>J. Delacour</i>	217
First Records of Cattle Egrets (<i>Bubulcus ibis</i>) in Guatemala. <i>Frank B. Smithe and Hugh C. Land</i>	218
Copulatory Behavior of the Red-headed Woodpecker. <i>William E. Southern</i>	218
Knot Collected Inland in Oregon. <i>Kenneth R. Porter</i>	219
Worm-eating Warbler "Adopts" Ovenbird Nestlings. <i>Stanley J. Maciula</i>	220
A Grasshopper Sparrow near Quebec, Province of Quebec. <i>Henri Ouellet</i>	220
Clutch Size of the Clapper Rail. <i>Robert E. Stewart and Brooke Meanley</i>	221
Unusual Responses of a Prairie Warbler to Sunlight. <i>Val Nolan, Jr.</i>	222
Surf Scoter in New Mexico. <i>Wm. S. Huey</i>	224
Subspecific Names of Mexican Brown Jays: A Correction. <i>Robert K. Selander</i>	224
Some Observations on the Distribution of the Blood Capillaries in the Pigeon Breast Muscle. <i>J. C. George and R. M. Naik</i>	224
The Brown Cachalote, <i>Pseudoseisura lophotes</i> , in Bolivia. <i>Kenneth C. Parkes</i>	226
A Texas Record of the Black Brant. <i>J. C. Henderson</i>	227
Two Significant Calling Periods of the Screech Owl. <i>Fred Hough</i>	227
Coloration of <i>Pharomacrus mocino</i> . <i>Charles H. Blake</i>	228
An Unusual Winter Plumage of the Goldfinch. <i>Aretas A. Saunders</i>	229
REVIEWS	230
RECENT LITERATURE. Edited by <i>Frank McKinney</i>	235
NOTES AND NEWS.....	255
CORRESPONDENCE	256
AOU COMMITTEES	257

NUMBER 3

COURTSHIP AND TERRITORIAL BEHAVIOR OF HAIRY WOODPECKERS. <i>Lawrence Kilham</i>	259
THE BIOLOGY OF THE BENGALESE FINCH. <i>Erica Eisner</i>	271
LATE NORTH AMERICAN SPRING MIGRANTS IN MEXICO. <i>Ben B. Coffey, Jr.</i> ..	288
ADDITIONAL NOTES ON THE PLUMAGE OF THE RED-WINGED BLACKBIRD. <i>Robert W. Nero</i>	298
SEASONAL VARIATION IN THE ENERGY BALANCE OF THE TREE SPARROW IN RELATION TO MIGRATION. <i>George C. West</i>	306
EGG TEMPERATURES OF THE RING-NECKED PHEASANT OBTAINED WITH A SELF-RECORDING POTENTIOMETER. <i>Francis W. Kessler</i>	330

THE CRUSHING OF <i>Carya</i> NUTS IN THE GIZZARD OF THE TURKEY. <i>A. W. Schorger</i>	337
NOTES AND NEWS.....	341
GENERAL NOTES	
Great Auk and Common Murre from a Florida Midden. <i>Pierce Brodtkorb</i>	342
A Probable Hybrid of <i>Larus argentatus</i> and <i>L. marinus</i> . <i>Joseph R. Jehl, Jr.</i>	343
Rivoli's Hummingbirds in Colorado. <i>Alfred M. Bailey</i>	345
Greater and Lesser Scaup Feeding on Dead Gulf Menhaden. <i>J. Y. Christmas</i>	346
A Le Conte's Sparrow at Beaupré, Province of Quebec. <i>Mrs. Gus A. Langelier</i>	347
Recent Emigrations of Northern Shrikes. <i>David E. Davis</i>	347
A Courtship Display of Scott's Oriole. <i>Keith L. Dixon</i>	348
A Record of <i>Pipilo erythrophthalmus arcticus</i> in North Carolina. <i>Doris C. Hauser</i> ..	349
Song Sparrow Feeds on Dandelion by Unusual Method. <i>Jack P. Hailman</i>	349
Notes on the Systematics of the Tanager Genus <i>Conothraupis</i> . <i>Robert W. Storer</i> ..	350
Arctic Loon at Palm Beach. <i>H. P. Langridge</i>	351
Northern Waterthrush Returning to Same Winter Quarters in Successive Winters. <i>D. W. Snow and B. K. Snow</i>	351
<i>Arenaria interpres interpres</i> in Florida. <i>Horace Loftin and Storrs Olson</i>	352
Storm Damage and RENESTING Behavior by the Chimney Swift. <i>Ralph W. Dexter</i> ..	352
Heavy Nematode Infestation of White Pelican. <i>Larry C. Oglesby</i>	354
Ivory-billed Woodhewer Feeds on Mud Flat. <i>Edwin Willis</i>	354
Occurrence of <i>Collyricium faba</i> in Steller's Jay. <i>C. W. McNeil</i>	355
An Avian Air Battle. <i>Thomas Smyth</i>	355
REVIEWS	357
RECENT LITERATURE. Edited by <i>Frank McKinney</i>	363
OBITUARY	378

NUMBER 4

AUTUMNAL BREEDING IN THE TRICOLORED BLACKBIRD. <i>Gordon H. Orians</i>	379
A HISTORY OF THE PASSENGER PIGEON IN MISSOURI. <i>Daniel McKinley</i>	399
THE SPREAD OF THE CATTLE EGRET IN THE UNITED STATES. <i>David E. Davis</i>	421
AN ATTEMPT TO ESTABLISH A COLONY OF YELLOW-HEADED BLACKBIRDS. <i>Robert A. McCabe and James B. Hale</i>	425
ANALYSIS OF SYLLABLE STRUCTURE IN SONGS OF THE BROWN TOWHEE. <i>P. Marler and D. Isaac</i>	433
WEIGHTS OF MASSACHUSETTS QUAIL AND COMPARISONS WITH OTHER GEOGRAPHIC SAMPLES FOR TAXONOMIC SIGNIFICANCE. <i>Thomas H. Ripley</i>	445
RACES OF THE SHORT-TAILED HAWK, <i>Buteo brachyurus</i> . <i>A. L. Rand</i>	448
AUTUMN WEIGHTS OF BLUE GEESE (<i>Chen caerulescens</i>). <i>F. G. Cooch, G. M. Stirrett, and G. F. Boyer</i>	460
PENGUIN TRACKS FAR INLAND IN THE ANTARCTIC. <i>W. J. L. Sladen and N. A. Ostenso</i>	466

GENERAL NOTES

Violet-crowned Hummingbird Nesting in Arizona and New Mexico. <i>Dale A. Zimmerman and Seymour H. Levy</i>	470
A Skeletal Teratism in Neonatal Redwinged Blackbirds. <i>David Kenneth Wetherbee</i>	471
Red-eyed Cowbird Parasitizes Song Sparrow and Mexican Cacique. <i>Robert W. Dickerman</i>	472
The Black Noddy at Los Roques, Venezuela. <i>James Bond and S. Dillon Ripley</i>	473
Eighteenth-Century Observation of Flight of Passenger (?) Pigeons over New York City. <i>Constance D. Sherman</i>	474
Cattle Egrets on the Dry Tortugas. <i>Ira Joel Abramson</i>	475
Clay-colored Robin in Texas. <i>Pauline James</i>	475
Canada Geese Nesting on a Beaver Lodge. <i>Fred J. Brenner</i>	476
Great Black-backed Gulls Killing Dovekies. <i>Dorothy E. Snyder</i>	476
Starlings Fed by Purple Martins. <i>Willet T. Van Velszen</i>	477
Foot-Quivering by Foraging Hermit Thrushes. <i>Hervey Brackbill</i>	477
REVIEWS	479
RECENT LITERATURE. Edited by <i>Frank McKinney</i>	483
NOTES AND NEWS.....	499
OBITUARIES	500
INDEX TO VOLUME 77. Prepared by <i>Col. L. R. Wolfe</i>	501

 ERRATA TO VOLUME 77 OF THE AUK

No. 2 (April), p. 220, line 43, read *Ammodramus* for *Amnodramus*.

No. 2 (April), p. 220, line 45, read *perpallidus* for *perpilladus*.

THE AUK

A Quarterly Journal of Ornithology

ORGAN OF THE AMERICAN ORNITHOLOGISTS' UNION

For publication in 'The Auk,' articles or notes must present material that is of significance to ornithologists and that has not been published elsewhere. All manuscripts should be typewritten, double spaced, with wide margins. Titles should be brief. Terminal bibliographies are used as a rule for long articles. Only works actually cited in the text are to be included in these bibliographies; works not so cited will be deleted by the editors. Where fewer than five references to literature are made, they may be inserted in parentheses in the text. References in manuscript for 'General Notes' should be in the text. Consult issues of 'The Auk' since January, 1949, for style of citation. Long articles should be summarized briefly. Footnotes, Roman numerals, and ruled tables are to be avoided. Acknowledgments belong in the text. Line drawings must be in India ink on white paper or drawing board; usually these should be planned for at least one-half reduction when printed. Thus, details and lettering must be correspondingly large. Legends must be brief. Photographs must be hard, glossy prints of good contrast. Common and scientific names of North American birds should follow the A.O.U. Check-List (Fifth Edition), except in taxonomic papers giving critical discussions and in justified special cases.

Proofs of all articles and notes will be sent to authors. Reprints from articles, notes, and other items are to be paid for by the author. These must be ordered from the Editor on the blanks sent with the proof and must be returned with the proof. Printed covers can be furnished at additional cost.

All articles and notes submitted for publication and all books and publications intended for review should be sent to the Editor:

DONALD S. FARNER, *Department of Zoology, Washington State University, Pullman, Washington.*

All persons interested in ornithology are invited to join the American Ornithologists' Union. Application may be made to the Treasurer; dues for Members are \$5.00 per year. 'The Auk' is sent without charge to all classes of members not in arrears for dues.

Send changes of address, claims for undelivered or defective copies of 'The Auk,' and requests for information relative to advertising, subscriptions, back numbers of 'The Auk,' as well as for other publications of the Union, to the Treasurer:

CHARLES G. SIBLEY, *Fernow Hall, Cornell University, Ithaca, New York.*

OFFICERS OF THE AMERICAN ORNITHOLOGISTS' UNION

President: GEORGE H. LOWERY, JR., *Museum of Zoology, Louisiana State University, Baton Rouge, Louisiana.*

First Vice-President: DEAN AMADON, *American Museum of Natural History, New York 24, N. Y.*

Second Vice-President: AUSTIN L. RAND, *Chicago Natural History Museum, Chicago 5, Illinois.*

Editor: DONALD S. FARNER, *Department of Zoology, Washington State University, Pullman, Washington.*

Managing Editor: HENRY GROSSHANS, *Office of Publications, Washington State University, Pullman, Washington.*

Secretary: HERBERT G. DEIGNAN, *U. S. National Museum, Washington 25, D. C.*

Treasurer: CHARLES G. SIBLEY, *Fernow Hall, Cornell University, Ithaca, N. Y.*

W. J. BRECKENRIDGE
Museum Director and Audubon
Screen Tour Lecturer

Says:

"The competitive side of bird watching appeals to many field observers making it something of a game of ornithological golf. *Audubon Field Notes* gives you the other fellows' scores. And the more critical researcher finds in *Audubon Field Notes* a great deal of field data assembled in one place and screened for authenticity by regional editors as well as by the Audubon and U. S. Fish and Wildlife editorial staffs."

AUDUBON FIELD NOTES

Subscribe Today!

Subscription for one year \$3.00
For two years 5.50
For three years 7.50

(Single copies of April Issue—Christmas Bird Count, \$2.00)

1130 Fifth Avenue, New York 28, N. Y.

Published Oct. 19, 1960

THE KIRTLAND'S WARBLER

by **HAROLD MAYFIELD**

More about this attractive member of an attractive family—rare and perhaps vanishing—than is known about almost any other American bird. Based on 22 years of field study, in the jack-pine regions of Michigan and in the Bahamas, by the late Josselyn Van Tyne and the author. The sections on cowbird parasitism and on forest fire influences are of unusual biological interest.

Color plate by Roger Tory Peterson.

226 pages, 8 plates. Cloth.

\$6.00

Cranbrook Institute of Science

BLOOMFIELD HILLS, MICHIGAN

• • •

OTHER C.I.S. BIRD BOOKS

The Sandhill Cranes. L. H. WALKINSHAW.

A fully documented and illustrated monograph, with a key to the cranes of the world.

202 pages, color frontispiece, 33 illustrations.. Cloth.

\$3.50

The Flight of Birds. JOHN STORER.

Flight of many species analyzed through high-speed motion pictures.

112 pages, 171 illustrations. Cloth.

\$2.50

Island Life in Lake Michigan. R. T. HATT, J. VAN TYNE, *et al.*

Condition and history of 200 kinds of vertebrates in the Beaver, Fox, and Manitou islands.

192 pages, 44 illustrations. Cloth.

\$4.00