

THE AMERICAN ORNITHOLOGISTS' UNION

1957

LIST OF OFFICERS

ERNST MAYR, President
Museum of Comparative Zoology, Harvard University
Cambridge 38, Massachusetts

GEORGE H. LOWERY, JR., First Vice-President
Museum of Zoology, Louisiana State University
Baton Rouge, Louisiana

AUSTIN L. RAND, Second Vice-President
Chicago Natural History Museum
Chicago 5, Illinois

ROBERT W. STORER, Editor
Museum of Zoology, University of Michigan
Ann Arbor, Michigan

HAROLD F. MAYFIELD, Secretary
River Road, RFD
Waterville, Ohio

CHARLES G. SIBLEY, Treasurer
Fernow Hall, Cornell University
Ithaca, New York

**PATRONS, FELLOWS, ELECTIVE MEMBERS, AND MEMBERS OF THE
AMERICAN ORNITHOLOGISTS' UNION, 1957**

PATRONS

Carnes, Mrs. Herbert E., 31 Dogwood Lane, Tenafly, New Jersey	(1944)	1955
Deane, Mrs. Ruthven, 830 Hubbard Road, Winnetka, Illinois	(1935)	1935
Greenewalt, Crawford H., Greenville, Delaware	(1956)	1957
Griscom, Ludlow, 21 Fayerweather St., Cambridge 38, Mass.		1957
Guernsey, Raymond G[ano], Eden Terrace, Poughkeepsie, New York (1928)		1955
Jennings, Mrs. B. Brewster, Box 666 Glen Head, Long Island, New York		1957
Lloyd, Hoyes, 582 Mariposa Ave., Ottawa, Ontario, Canada	(1916)	1945
McIlhenny, Edward Avery (deceased)	(1894)	1945
Merriam, Clinton Hart (Founder—deceased)		1937
Miller, Dr. Loye H[olmes], Museum of Vertebrate Zoology, Berkeley 4, California	(1918)	1957
Palmer, Dr. Theodore S[herman], (deceased)	(1888)	1956
Peters, James Lee (deceased)	(1904)	1956
Stone, Mrs. Witmer (deceased)	(1920)	1940
Stoner, Mrs. Dayton, 399 State St., Albany 1, New York	(1944)	1946
Tucker, Mrs. Carl, 733 Park Avenue, New York, New York	(1924)	1952
Van Tyne, Dr. J[osselyn], (deceased)	(1922)	1957
Wharton, William Pickman, Groton, Massachusetts	(1907)	1945

HONORARY FELLOWS

Bannerman, Dr. David A[rmitage], Boreland of Southwick, by Dum- fries, Scotland	(1916)	1941
Berlioz, Dr. Jacques, Museum d'Histoire Naturelle, 55 rue de Buffon, Paris, France	(1923)	1938
Falla, Dr. Robert Alexander, Dominion Museum, Wellington, New Zealand	(1937)	1949
Ghigi, Prof. Alessandro, Direttore del Laboratorio de Zoologia applicata alla Caccia, Via S. Giacomo, 9 Bologna, Italy	(1921)	1949
Gyldenstolpe, Count Nils [Carl Gustaffersen], Naturhistoriska Riks- museum, Vetenskapsakademien, Stockholm 50, Sweden	(1918)	1934
Haagner, Alwin Karl, P. O. Box 451, Pietermaritzburg, Natal, South Africa	(1916)	1918
Huxley, Dr. Julian Sorrell, 31 Pond Street, Hampstead, London, N. W. 3, England	(1941)	1955
Kuroda, Marquis Nagamichi, Fukuyoshi Cho, Akasaka, Tokyo, Japan (1918)		1921
Lack, Dr. David, Edward Grey Institute of Field Ornithology, Depart- ment of Zoological Field Studies, Botanic Garden, Oxford, England	(1939)	1946
Lorenz, Dr. Konrad Z., Max-Planck Inst. für Verhaltenphysiologie, Seewiesen, Post Landstetten über Starnberg, Oberbayern, Ger- many	(1938)	1951
Meinertzhagen, Col. Richard, 17 Kensington Park Gardens, London, W. 11, England	(1916)	1928
Moreau, Dr. R[eginald] E[rnest], The Yews, Berrick, near Benson, Oxon., England	(1938)	1949

Palmgren, Dr. P[ontus], Zoologiska Museet, N. Jarnvagsgatan 13, Helsingfors, Finland	(1932)	1946
Pinto, Dr. Oliverio Mario de Oliveira, Department of Zoology, Bureau of Agriculture, Industria e Comercio, São Paulo, Brazil	(1940)	1945
Salomonsen, Dr. Finn, Zoologisk Museum, Krystalgade, Copenhagen K. Denmark	(1949)	1953
Schüz, Dr. Ernst, Stättl, Museum für Naturkunde (14a), Stuttgart 0, Germany	(1938)	1953
Stresemann, Prof. Dr. Erwin, Berlin-Charlottenburg, Wandalenallee 38, Germany	(1922)	1930
Thomson, Sir A[rthur] Landsborough, 42 Girdwood Rd., Southfields, London, S. W. 18, England	(1922)	1951
Yamashina, Dr. Yoshimaro, Yamashina Museum, 49 Nanpeidai-Machi, Shibuya-ku, Tokyo, Japan	(1927)	1953

CORRESPONDING FELLOWS

Alexander, Wilfrid B[ackhouse], Department of Zoological Field Studies, Edward Grey Institute, Botanic Gardens, Oxford, England		1921
Ali, Salim A., 33 Pali Hill, Bombay Suburban District, Bandra, India (1944)		1948
Armstrong, Rev. E[dward] A[llworthy], St. Mark's Vicarage, Barton Road, Cambridge, England		1951
Baxter, Miss Evelyn Vida, The Grove, Upper Largo, Fifeshire, Scotland		1919
Beaufort, Dr. Lieven Ferdinand De, De Hooge Kley, Amersfoort, Netherlands		1926
Belcher, Sir Charles Frederic, 850 Hope St., Kokstad, C.P., South Africa		1934
Benson, C. W., c/o Game and Tsetse Department, P. O. Box 1, Chilanga, Northern Rhodesia		1954
Bertoni, Dr. Arnaldo De Winkelreid, Puerto Bertoni, Paraguay, South America		1919
Bourlière, Prof. F., Faculté de Médecine de Paris, Laboratoire de Biologie, 45 rue des Saints Pères, Paris 6e, France		1954
Bryant, Charles Ernest William, 394-396 Collins St., Melbourne, Australia		1949
Chisholm, Alexander Hugh, Angus & Robertson, Ltd., 89 Castlereagh St., Sydney, Australia		1922
David-Beaulieu, André Château Coutet, Saint-Emilion (Gironde), France		1949
De Lavalie, Jose Antonio, Lima, Peru		1925
Dementiev, Prof. Georges, Zoological Museum, Moscow Government University, Moscow 9, U.S.S.R.		1934
Drost, Dr. Rudolf, (23) Wilhelmshaven, Danziger Strasse 26, Germany		1934
Dugand, Prof. Armando, c/o Roncallo Hermanos, Apartado Aereo 85, Barranquilla, Colombia, South America		1952
Engelbach, Dr. Pierre, 10 rue Copernic, Paris XVI ^e , France		1949
Fisher, James [Maxwell McConnell], Old Rectory, Ashton, Northampton, England		1951
Gibson-Hill, Carl Alexander, Raffles Museum, Singapore, Malaya		1951
Goodall, J[ack] [William] D[avies], Casilla 2238, Santiago, Chile		1952
Grant, Claude H[enry] B[axter], 8 Cornwall Gardens Court, 50 Cornwall Gardens, London, S. W. 7, England		1920
Groebbels, Dr. Franz, Physiologischer Institut Krankenhaus, Hamburg, Eggen-dorf, Germany		1933
Haverschmidt, F[rançois], P. O. Box 644, Paramaribo, Surinam, (Dutch Guiana)	(1928)	1950

Hindwood, K. A., Wingello Place, Angel Place, Sydney, New South Wales ..	1938
Hoesch, Walter, P. O. Box 110, Okahandja, South Africa	1957
Ingram, Collingwood, The Grange, Benenden, Cranbrook, Kent, England ..	1920
Iredale, Tom, c/o Australian Museum, Sydney, New South Wales	1918
Johansen, Dr. Hans, Zoological Museum, University of Copenhagen, Copenhagen, Denmark	1955
Johnson, Alfred William, Casilla 327, Santiago, Chile	(1950) 1952
Junge, G. C. A., Rijksmuseum van Natuurlijke Historie, Leiden, Netherlands	1939
Kluyver, H. N., Instituut voor Oecologisch Onderzoek, Arnhem, Netherlands	1956
Kramer, Dr. Gustav, Max-Planck Institut für Meeresbiologie, (23) Wilhelmshaven, Germany	1951
Laubmann, Dr. Alfred, (13b) München 9, Karolingerstrasse 18/11, Bayern, Germany	1923
MacDonald, James David, British Museum (Natural History), Cromwell Road, London, S. W. 7, England	1949
Marshall, Dr. A. J., Department of Zoology & Comparative Anatomy, St. Bartholomew's Medical College, University of London, London, England	1955
Mayaud, Noël, 80 rue du Ranelagh, Paris XVI, France	1949
Meise, Dr. Wilhelm, Bornplatz 5, Hamburg 13, Germany	1938
Moltoni, Dr. Edgardo, Direttore del Museo Civico, Corso Venezia 55, Milano, Italy	1936
Momiyama, Toku Taro, 1146 Sasazka, Yoyohata-mati, Tokyo, Japan	1925
Nicéforo María, Hermano, Museo del Instituto de LaSalle, Calle 11, No. 1.69, Bogotá, Colombia	1921
Nicholson, Edward M., 13 Upper Cheyne Row, London, S. W. 3, England	1954
Niethammer, Dr. Günter, Dozent; Koblenzer Str. 162, (22c) Bonn, West Germany	1957
Philippi B., Rodulfo Amando, Tobalaba 157, Santiago, Chile	(1941) 1952
Phillips, William W. A., "Tonacombe," Namunukula, Ceylon	1956
Rensch, Dr. Bernhard, Zoologisches Institute der Westfälischen Landes-Universität, Bade-Str. 9, (21a) Münster (Westf.), Germany	1932
Richdale, Lancelot E[ric], 23 Skibo St., Kew, Dunedin, New Zealand .. (1943)	1947
Sassi, Dr. Moriz, Naturhist. Museum, Burgring 7, Vienna 1, Austria	1934
Schouteden, Dr. H., Musée du Congo Belge, Tervuren, Belgium	1934
Scott, Peter Markham, The Wildfowl Trust, New Grounds, Slimbridge, Gloucestershire, England	1955
Serventy, Dr. D[ominick] L., Wildlife Survey Section, C.S.I.R.O., West Australia Regional Lab., University Grounds off Myers St., Nedlands, Western Australia	1949
Seth-Smith, David W[illiam], 69 Palace Court, London, W. 2, England	1920
Skead, C. J., Kaffrarian Museum, King Williams Town, Cape Province, Union of South Africa	1955
Skovgaard, Peter, Viborg, Denmark	1926
Stegmann, Dr. Boris Charles, Zoological Museum, Academy of Science, Leningrad, U.S.S.R.	1932
Stoneham, Lieut-Col. Hugh Frederic, O.B.E., Director of the Stoneham Museum and Research Centre, Kitale, Kenya Colony, British East Africa	1930
Taka-Tsukasa, Prince Nobusuka, 87 Yoyogi-Sanyacho, Shibuya-Ku, Tokyo, Japan	1924

Thorpe, William H., Department of zoology, University of Cambridge, Cambridge, England	1956
Ticehurst, Norman Frederic, Spots House, Small Hythe, Tenterden, Kent, England	1918
Tinbergen, Dr. Nicholas, Department of Zoology, University Museum, Oxford, England	1938
Uchida, Dr. Seinosuke, No. 8 Aobachs, Shibuyaku, Tokyo, Japan	1919
Van Someren, Dr. Victor Gurnet Logan, Box 658, Nairobi, Kenya Colony, British East Africa	1921
Verheyen, Rene K., Kolonielaan 87, Antwerpen, Belgium	1954
Vincent, Jack, "Firle," P. O. Box 44, Mooi River, Natal, South Africa	1949
von Haartman, Baron Lars, Zoological Institute, University of Helsingfors, Norra Jarnvaggatan 13, Finland	1954
Wagner, Dr. Helmuth O., Übersee Museum, Bremen, Germany	(1945) 1950
White, C. M. N., c/o the Secretariat, Lusaka, N. Rhodesia	(1941) 1956
White, Capt. Samuel Albert, Wetunga, Fulham, South Australia	1919

FELLOWS, ELECTIVE MEMBERS, AND MEMBERS

Abbott, Jackson Miles, 814 13th St., New Alexandria, Virginia	1946
Abraitys, Vincent [Valent], Sergeantsville, New Jersey	1950
Abramson, Ira Joel, B 205 Presidential Apts., Philadelphia 31, Pennsylvania	1956
Adams, Capt. Claude T., Sr., W.A.D.C. Area B, Box 8607, Wright-Patterson AFB, Ohio	1956
Adams, Heman Purdy, 218 Main St., Glenville, West Virginia	1954
Adams, Laura [Louise] C., Andrews, South Carolina	1950
Adams, William Hensley, Jr., Wildlife Research Unit, Wildlife Building, Auburn, Alabama	1949
Adelson, Richard, 34 Wensley Dr., Great Neck, Long Island, New York	1937
Adler, Max E., 612 Arlington Rd., Bangor, Michigan	1956
Agey, H[oite] Norton, 908 Ave. H. N. E., Winter Haven, Florida ..	1957
Albert, Richard Orvil, 1313 Roosevelt Blvd., Alice, Texas	1954
Albright, Ray, Rt. 1, Box 277, Dayton, Oregon	1952
Alcorn, Albert A., 45 W. Fairview, Fallon, Nevada	1952
Alcorn, Dr. Gordon D., College of Puget Sound, Tacoma 6, Washington	1952
F Aldrich, Dr. John Warren, 21 W. Spring St., Alexandria, Virginia (1929)	1947
Alexander, Donald C[hild], 16 Pleasant St., Nahant, Massachusetts ..	1936
Alexander, Dr. [Edward] Gordon, Department of Biology, University of Colorado, Boulder, Colorado	1919
Alexander, R[obert] C[ampbell], 19207 Charleston Ave., Detroit, Michigan	1942
Allard, H[arry] [Ardell], 3000 7th St., North, Arlington 1, Virginia ..	1929
F Allen, Dr. Arthur A[ugustus], Fernow Hall, Cornell University, Ithaca, New York	(1909) 1922
EM Allen, Dr. Elsa G[uerdrum], Cornell University, Ithaca, New York (1935)	1947
Allen, Miss Esther C[ampbell], Camarillo State Hospital, Camarillo, California	1949

	Allen, Frederick W[illiam], Jr., c/o The Yankee Traveler, Route 3, Plymouth, Massachusetts	1951
F	Allen, Robert Porter, Tavernier, Florida	(1933) 1955
	Allen, Walter Fox, 93 Maplewood Avenue, Maplewood, New Jersey ..	1925
EM	Allin, Dr. Albert E[llis], Provincial Health Laboratory, Fort William, Ontario, Canada	(1939) 1955
	Allis, Cdr. Frederick Ashton, U.S.N., Office of Naval Materiel, Main Navy Building, Washington, D. C.	1953
	Allison, Sidney J[ob], 161 Harington Drive, Nottingham, England ..	1950
	Almon, Dr. Lois, Box 235, Experiment Station, State College, Mis- sissippi	1948
	Alperin, Irwin M., 187 Cedar Lane, Babylon, New York	1939
	Altemus, Edward L[ee], Lafayette Ave., Fort Washington, Penn- sylvania	1952
	Altmann, Martin R., 131 Marlborough, Boston, Massachusetts	1955
	Altsheler, Kathryn B. [Mrs. Yancey R.], 2326 Dundee Road, Louisville 5, Kentucky	1955
EM	Alvarez del Toro, Miguel, Apartado Postal No. 6, Tuxtla Gutierrez, Chiapas, Mexico	(1947) 1953
F	Amadon, Dr. Dean, American Museum of Natural History, Central Park West at 79th St., New York 24, New York	(1930) 1949
	Ames, 2/Lt. Peter L[esley], 741 Concord Ave., Belmont, Massachusetts	1954
	Ames, Miss Rosella S[prague], Moraine St., Marshfield, Massachusetts	1940
	Amman, Gene Doyle, 850 West Lake St., Fort Collins, Colorado	1957
	Anaka, William, Spirit Lake, Sask., Canada	1956
	Anderson, Allen E[ugene], Apt. 37, Orchard Park, Dexter, New Mexico	1954
EM	Anderson, Anders Harold, 3221 Kleindale Rd., Tucson, Arizona (1939)	1950
	Anderson, Earl A[xel], 7335 N. Odell Ave., Chicago 31, Illinois	1950
	Anderson, Frank G., Department of Sociology, University of Maryland, College Park, Maryland	1951
	Anderson, G[eorge] Arthur, 601 E. Wapello St., Altadena, California	1949
	Anderson, Dr. George Edwin, 408 Shearer Building, Bay City, Mich- igan	1939
	Anderson, John M., Winous Point Club, Port Clinton, Ohio	1938
	Anderson, Kathleen Shaw, R. F. D. #2, Winter St., Middleboro, Massa- chusetts	1954
	Anderson, Richard A., 1147 Grenshaw, St. Louis 15, Missouri	1953
EM	Anderson, Rudolph M[artin], 58 Driveway, Ottawa, Ontario, Canada (1907)	1914
	Anderson, Sydney, Museum of Natural History, Lawrence, Kansas	1955
	Andrews, Arthur Allen, 75 Penfield Crescent, Brighton Station, Ro- chester 10, New York	1924
	Andrews, Mrs. J. Clinton, 3 Stone Alley, Nantucket, Massachusetts ..	1957
	Andrews, Mrs. Lydia G[ochmann], 18 Church St., West Boylston, Massachusetts	1949
	Andrews, Sara Bache [Mrs. Charles B.], 53 Center Street, Clinton, New Jersey	1947
	Andrle, Robert F., 17 Crescent Ave., Buffalo 14, New York	1954
	Angell, LeRoy E., Route 1, Mankato, Minnesota	1952

	Anglin, James P., 957 Dunsmuir Road, Town of Mount Royal, Quebec, Canada	1943
L	Annan, Ormsby, 1059 Chatfield Rd., Winnetka, Illinois	1950
	Anthes, Clarence A[lvin], 707 N. Moreland Blvd., Waukesha, Wisconsin	1937
	Anthony, Jesse D., 722 1st Avenue, East, Grand Rapids, Minnesota ..	1954
	Antoniuzzi, John F[rancis], Bayberry Lane, Westport, Connecticut ..	1950
	Apfeld, Albert L., South Green St., Tuckerton, New Jersey	1953
	Appleberry, Mrs. Edna Lanier, 5 Lake Forest Parkway, Wilmington, North Carolina	1947
	Applegate, Wilson G. Hunt, Rhinebeck, New York	1934
EM	Arbib, Robert S[imeon], Jr., 9756 W. Olympic Blvd., Beverly Hills, California	(1947) 1955
	Archbold, Richard, Archbold Biological Station, Route 1, Box 173, Lake Placid, Florida	1930
	Arend, Philip H[anford], 21 Buena Vista, Novato, California	1952
	Argue, Arthur W., 1040 Boylston St., Boston, Massachusetts	1946
	Armitage, Kenneth B[arclay], Department of Zoology, University of Kansas, Lawrence, Kansas	1952
	Armitt, H[erbert], T[homas], 902 Westwood Ave., Westwood, New Jersey	1950
	Armstrong, Miss Virginia, Old Concord Rd., South Lincoln, Massachusetts	1937
	Arnett, Dr. John H[ancock], Jr., Harrisburg State Hospital, Harrisburg, Pennsylvania	1946
	Arnold, Elting, 4914 Dorset Avenue, Chevy Chase 15, Maryland	1934
	Arny, Samuel A[ndrew], Apartment 2, 6515 Willston Drive, Falls Church, Virginia	1952
	Ashley, Lt. Donn L., Public Works Department, U. S. Naval Training Center, Bainbridge, Maryland	1954
	Ashton, Randolph, 800 Crown St., Morrisville, Pennsylvania	1938
	Atkins, Dr. Elisha, Westward Rd., Woodbridge, Connecticut	1946
	Atsatt, Dr. Sarah R., 1130 N. Monterey, Alhambra, California	1947
	Austin, Amalie A., 99 May Street, New Britain, Connecticut	1956
	Austin, Mrs. Enid K., 1116 Mandana Blvd., Oakland 10, California ..	1947
	Austin, John Brander, School of Theology, University of The South, Sewanee, Tennessee	1947
F	Austin, Dr. Oliver Luther, Jr. Department of Biology, University of Florida, Gainesville, Florida	(1925) 1948
EM	Austin, Dr. Oliver Luther, Sr., P. O. Box 146, Tuckahoe, Westchester County, New York	(1930) 1940
	Avent, Miss Carrie, Minter City, Mississippi	1954
EM	Axtell, Dr. Harold H[amilton], Buffalo Museum of Science, Buffalo 11, New York	(1941) 1951
	Babcock, Charles D., 36th St. and Woodland Ave., Reading, Pennsylvania	1953
	Babcock, Rev. Fred I[rving], Land O'Lakes, Wisconsin	1951
	Bacon, Francis L[ewellyn], 22 Waterman Ave., Philadelphia 18, Pennsylvania	1917
	Badaracco, Robert Jack., 2580 Polk Street, San Francisco, California ..	1957

	Badger, Lester R., Excelsior Rt. 1, Minnesota	1957
	Baepler, Donald H., Department of Zoology, University of Oklahoma, Norman, Oklahoma	1955
	Baer, Myrtle W., 1237 North Jefferson St., Milwaukee 2, Wisconsin ..	1942
EM	Baerg, Dr. William J., College of Agriculture, University of Arkansas, Fayetteville, Arkansas	(1924) 1952
LEM	Bagg, Aaron Moore, Farm Street, Dover, Massachusetts	(1946) 1951
F	Bailey, Alfred M[arshall], Colorado Museum of Natural History, Denver, Colorado	(1918) 1941
	Bailey, Joe H[arden], Box 393 W. T. Station, Canyon, Texas	1955
L	Bailey, John Wendell, 27 Willway Rd., Richmond 21, Virginia	1925
	Bailey, Richard, 1107 High Court, Berkeley 8, California	1954
EM	Baillie, James L[jittle], Jr., Royal Museum of Zoology and Paleon- tology, 100 Queen's Park, Toronto, Ontario, Canada	(1923) 1935
	Baird, James, Norman Bird Sanctuary, Paradise Rd., Newport, Rhode Island	1947
EM	Baker, John Hopkinson, National Audubon Society, 1130 5th Ave., New York 28, New York	(1911) 1949
	Baker, Dr. Maurice F., 19 Austinville Road, Decatur, Alabama	1954
L	Baker, Miss Mildred E., 275 Hillcrest Drive, Rt. 1, Encinitas, Cali- fornia	1947
	Baker, Paul S., 21 Woodlot Lane, Huntington, Long Island, New York	1944
EM	Baker, Dr. Rollin Harold, The Museum, Michigan State University, East Lansing, Michigan	(1939) 1950
	Baker, William Calvin, 559 Euclid St., Salem, Ohio	1930
	Bakus, Gerald Joseph, 13 Cascade Street, Missoula, Montana	1957
	Balch, Francis N[oyes], 130 Prince St., Jamaica Plain, Massachusetts	1946
	Baldwin, Mrs. Harry Leverett, 6335 Kimbark Ave., Chicago 37, Illinois	1924
EM	Baldwin, Dr. Paul H., Department of Zoology, Colorado A. and M. College, Fort Collins, Colorado	(1947) 1953
	Baldwin, Dr. William Grove, Department of Otolaryngology, Univer- sity of Iowa Hospital, Iowa City, Iowa	1953
	Baldwin, William P[lews], Jr., Rt. 1, Box 102-E, Summerville, South Carolina	1937
	Ball, Dr. Kathleen E., 11719 - 133 St., Edmonton, Alberta, Canada ..	1946
	Ball, Robert E[dwin], 5037 Meadow Lane N.W., Canton 9, Ohio ...	1938
	Ball, Stanley [Crittenden], Peabody Museum of Natural History, Yale University, New Haven, Connecticut	1942
	Ballard, Mrs. Buena B., 612 N. 25th Ave., Hattiesburg, Mississippi ..	1955
	Balsom, Mrs. Amos P., 2209 E. Stratford Court, Milwaukee 11, Wis- consin	1947
	Banks, Richard C[hables], Museum of Vertebrate Zoology, Berkeley 4, California	1957
	Banta, Edna, Mary Gray Bird Sanctuary, R. R. 6, Connersville, Indiana	1954
	Bantly, Harold Arthur, 3017 Main Street, Glastonbury, Connecticut ..	1957
	Barbehenn, Kile R., 7114 Sellers Ave., Upper Darby, Pennsylvania ..	1954
	Barber, D[avid] H[enry], Castleton, Mells, Frome, Somerset, England	1948
	Barber, Herb[ert] K[neeshaw], 22 North 4th St., Niles, Michigan ..	1953
	Barber, Yates Middleton, Jr., U. S. Fish and Wildlife Service, 2404½ Hillsboro St., Raleigh, North Carolina	1948

	Barbour, Dr. Roger W., Department of Zoology, University of Kentucky, Lexington, Kentucky	1937
	Barkalow, Frederick S[chenck], Jr., 2510 Wade Ave., Raleigh, North Carolina	1938
	Barlow, Henry Hoyt, R. D. 1, Califon, New Jersey	1954
	Barnard, Ellsworth, 86 Federal St., Brunswick, Maine	1949
HL	Barnes, Claude Teancum, 359 Tenth Ave., Salt Lake City, Utah	1908
	Barnes, Mrs. Ruth, 173 Myrtle St., Shelton, Connecticut	1944
	Barrett, Charles H[oratio] M[atcnett], 1339 Valley Place, S.E., Washington 20, D. C.	1912
	Barrett, Vernon, 1300 Chelton Way, South Pasadena, California	1953
	Barry, Thomas W[oodams], 102 Grandview Court, Ithaca, New York	1954
	Bartel, Karl E[mil] [Edgar], 2528 W. Collins St., Blue Island, Illinois	1934
	Barth, Dr. Edvard K., Zoological Museum, Sarsgt. 1. Oslo 47, Norway	1957
	Barth, R. H., Jr., Biological Laboratories, Harvard University, Cambridge 38, Massachusetts	1957
EM	Bartholomew, Dr. George A[delbert], Jr., Department of Zoology, University of California, Los Angeles 24, California	(1941) 1949
	Bartleson, Fred D., Jr., 3815 McGregor Blvd., Ft. Myers, Florida ...	1952
	Bartlett, Guy, 1053 Parkwood Blvd., Schenectady 8, New York	1932
	Bartlett, Dr. L[awrence] M[atthews], Zoology Department, University of Massachusetts, Amherst, Massachusetts	1952
	Barton, Roger Avery, 22 Arlington Ave., Caldwell, New Jersey	1952
	Bartram, Edwin B[unting], Bushkill, Pike Co., Pennsylvania	1913
EM	Bartsch, Dr. Paul, Lebanon, Gunston Hall Rd., Lorton, Virginia (1896)	1902
	Baskett, Dr. Thomas S[ebree], Missouri Coop. Wildlife Research Unit, Wildlife Conservation Bldg., University of Missouri, Columbia, Missouri	1946
	Basner, Harry, Mountaindale, New York	1927
	Bastin, Eric W[alter], 43 Inglewood Drive, Apartment 2, Hamilton, Ontario, Canada	1951
	Bates, Curtis E., 609 Elm St., Rome, New York	1946
	Bates, Cyril D., Box 1238, Dauphin, Manitoba, Canada	1953
	Batson, Jackie David, 1909 Highland Ave., Knoxville, Tennessee ..	1957
L	Batts, H[enry] Lewis, Jr., 1211 Glenwood Ave., Kalamazoo, Michigan	1948
	Baumel, Julian J., Department of Anatomy, School of Medicine, Creighton University, Omaha, Nebraska	1951
	Baumgarten, Dr. Henry E[rnest], Avery Laboratory, University of Nebraska, Lincoln 8, Nebraska	1953
EM	Baumgartner, Dr. Frederick M[ilton], Department of Zoology, A. and M. College, Stillwater, Oklahoma	(1930) 1953
EM	Baumgartner, Dr. Marguerite Heydweiller, [Mrs. Frederick M.], R. R. 3, Stillwater, Oklahoma	(1930) 1945
	Baxter, William, R. R. 2, Middleton, Delaware	1950
	Bayley, Bob, 1759 Franklin Blvd., Eugene, Oregon	1956
	Beacham, Miss Addie E., c/o Mrs. W. D. McDavid, 220 E. Mandalay Drive, San Antonio, Texas	1956
	Beacham, [Edward] Derek, 342 - 42nd. St., S.W., Calgary, Alberta, Canada	1948

	Beadel, Henry Ludlow, Route 1, Box 160, Tallahassee, Florida	1926
	Beal, George, 1009 Pegg Rd., East Point, Georgia	1954
	Beall, Bernard William, 2204 Hendricks, Fort Smith, Arkansas	1954
	Beals, Edward [Wesley], 721 Clark Ct., Madison, Wisconsin	1950
	Beardslee, Clark Smith, 132 McKinley Avenue, Kenmore, New York	1930
	Beargie, Mrs. Herbert [Kathleen B.], 190 Campo St., Chaffee Station, Denver, Colorado	1955
	Beasley, Ray J[ackson], P. O. Box 117, Newport News, Virginia . . .	1947
	Beattie, J[ohn] I[nnes], 206 Worcester Lane, Waltham, Massachusetts	1951
	Beaudette, Palmer T[hayer], Box 228, RFD #1, Solvang, California	1956
	Bechtel, K. K., 155 Sansome Street, San Francisco 4, California	1956
EM	Beck, Herbert H[uebener], 515 N. President Ave., Lancaster, Penn- sylvania (1931)	1954
	Becker, Miss Edna E., 101 High St., Middletown, Connecticut	1947
	Beckett, Joseph Vern, 2554 Fourth Street, Cuyahoga Falls, Ohio . .	1957
	Beckett, Kenneth Raymond, 2329 Scott Street, Victoria, B. C., Canada	1957
	Beddall, Mrs. Barbara G., 2502 Bronson Rd., Fairfield, Connecticut	1953
L	Bedell, Laurel May [Mrs. Harry M.], 1620 Massachusetts Ave., N.W., Washington 6, D. C.	1929
F	Beebe, Dr. [Charles] William, New York Zoological Park, New York 60, New York (1897)	1912
	Beecher, Mrs. Barbara J., 330 Elm St., Bennington, Vermont	1956
EM	Beecher, William John, Chicago Natural History Museum, Roosevelt Rd. and Field Drive, Chicago 5, Illinois (1937)	1950
	Beer, James R[obert], Division of Entomology and Economic Zoology, University of Minnesota, St. Paul 1, Minnesota	1939
F	Behle, Dr. William H[arroun], Department of Biology, University of Utah, Salt Lake City, Utah (1934)	1951
	Behrend, Fred William, 607 Range St., Elizabethton, Tennessee . . .	1954
	Beidleman, Dr. Richard G[ooch], Biology Department, University of Colorado, Boulder, Colorado	1948
	Belcher, Dr. Paul E[ugene], 230 Mineola Ave., Akron 13, Ohio	1937
L	Belknap, John Balcom, 92 Clinton St., Gouverneur, New York	1927
EM	Bellrose, Frank C., Jr., 334 E. Adams St., Havana, Illinois (1934)	1947
L	Belt, Charles B[anks], 233 Broadway, New York 7, New York	1950
	Belton, William, Embassy Santiago, c/o Department of State, Wash- ington 25, D. C.	1947
	Bemont, Leslie E[dward], 710 University Ave., Endwell, New York . .	1953
	Bender, Richard O[liver], RD #1, Bridgeton, New Jersey	1957
	Bennett, Cha[rles] H[erbert], 80 Belmont Ave., Ottawa, Ontario, Canada	1948
	Bennett, George, Stillwater Cove Ranch School, Jenner, California	1957
	Bennett, Gerald M., 1030 Ontario St., Cobourg, Ontario, Canada . .	1955
	Bennett, Joseph A[lexander], Jr., 28 Berkeley Rd., Maplewood, New Jersey	1951
EM	Bennett, Dr. Logan J[ohnson], Pennsylvania Game Commission, Harrisburg, Pennsylvania (1934)	1946
	Bennett, Walter Waldo, 7828 Santa Monica Blvd., Hollywood 46, California	1924
	Benson, Dr. Seth B[ertram], 645 Coventry Rd., Berkeley 7, California	1928

	Bent, George Payne, II, Lake Ave., Greenwich, Connecticut	1950
	Benton, Dr. Allen H[aydon], New York State College for Teachers, Albany, New York	1949
EM	Berger, Dr. Andrew J[ohn], Department of Anatomy, East Medical Building, University of Michigan, Ann Arbor, Michigan (1948)	1952
	Berger, Daniel D[avid], 510 E. MacArthur Rd., Milwaukee 17, Wis- consin	1954
LEM	Bergstrom, E[dward] Alexander, 37 Old Brook Rd., W. Hartford 7, Connecticut (1939)	1954
	Berkey, Glenn L[eroy], 29 South Main St., Rittman, Ohio	1949
	Berkowitz, Albert C[larence], 517 58th St., Des Moines 12, Iowa . . .	1948
	Bernath, Ernest L., Casilla 13198, Santiago de Chile	1955
	Berrett, Delwyn Green, Menan, Idaho	1957
L	Berry, William David, 1272 Justin Ave., Glendale 1, California . . .	1954
	Beveridge, Charles L., 934 Missoula Ave., Helena, Montana	1957
	Bevis, Frederick B., 1298 Westwood, Birmingham, Michigan	1956
EM	Biaggi, Dr. Virgilio, Jr., Biology Department, University of Puerto Rico, College of Agriculture and Mechanical Arts, Mayaguez, Puerto Rico (1944)	1957
	Bialac, James T[homas], 4706 No. 16th Dr. #4, Phoenix, Arizona . .	1956
L	Bigelow, Mrs. Archibald Pierce, 270 Wayne Ave., Oakland, California	1919
	Biggs, Osco E., Box 122, St. Charles, Illinois	1957
	Bilby, H. A., 2 Sunnyside Cottages, High Street, Harlington, Hayes, Middlesex, England	1947
	Binder, Miss Kay, 3838 W. 61st. St., Chicago, Illinois	1957
	Binford, Laurence C[harles], 330 Grove St., Glencoe, Illinois	1954
	Bingham, Dr. Millicent Todd, 1661 Crescent Place, Washington 9, D. C.	1949
	Bingham, Richard S[tephen], Jr., The Circle, Lewiston, New York	1955
	Bird, Charles D., Botany and Plant Pathology Department, Oklahoma A. and M. College, Stillwater, Oklahoma	1956
	Birkeland, Henry, Roland, Iowa	1933
	Biswas, Biswamoy, Zoological Survey of India, Indian Museum, Cal- cutta 13, India	1948
	Black, Dr. C[harles] Theodore, R.R. 1, Box 480, East Lansing, Michigan	1933
	Blackstone, Robert E[dward], 10363 Calvin Ave., Los Angeles 25, California	1954
HL	Blackwelder, Eliot, P. O. Box N, Stanford, California	1895
	Blades, Mrs. Herbert [C. Dorothy], 1708 W. Gilpin Dr., Willow Run, Wilmington 5, Delaware	1955
LEM	Blain, Dr. Alexander William, 1028 Berkshire Rd., Grosse Point Park 30, Michigan (1902)	1953
EM	Blake, Dr. Charles H[enry], P. O. Box 613, Hillsboro, North Carolina (1946)	1950
F	Blake, Emmet Reid, Chicago Natural History Museum, Roosevelt Road and Field Drive, Chicago 5, Illinois (1933)	1952
	Blake, Dr. Sidney Fay, 3416 North Glebe Rd., Arlington, Virginia . .	1923
	Blanchard, Harold H[oopar], 32 Calumet Rd., Winchester, Massa- chusetts	1939

	Blatchley, Miss Myrtice A., 25 Howard Parkway, New Rochelle, New York	1956
L	Blauvelt, Hiram B. D., 637 Kinderkamack Rd., Oradell, New Jersey	1948
L	Bleitz, Donald L., Box 269, Los Angeles 28, California	1947
	Bliese, John C[arl] W[illiam], Biology Dept., Nebraska State Teachers College, Kearney, Nebraska	1951
	Blomquist, Eric G., 2926 N. 76th Ave., Chicago 35, Illinois	1954
L	Bloomer, Wilson C., 107 Myrtle Ave., Newark, New York	1955
	Blouch, Ralph I[rrving], Houghton Lake Wildlife Experiment Station, Box 78, Houghton Lake Heights, Michigan	1949
	Blount, Miss Elisabeth Rose, 741 Ruiz St., San Antonio 7, Texas ...	1956
	Boag, David A., c/o "Kilmagar," Volmer P. O., Alberta, Canada ...	1955
L	Bock, Walter, Biological Laboratories, Harvard University, Cambridge 38, Massachusetts	1952
	Bodsworth, Fred, 294 Beech Ave., Toronto 8, Ontario, Canada	1954
F	Bond, James, Academy of Natural Sciences, 19th and Race Sts., Philadelphia, Pennsylvania	(1923) 1946
EM	Bond, Richard M[arshall], Kings Hill, St. Croix, U. S. Virgin Islands (1939)	1945
L	Bond, Richard R[andolph], Department of Biology, Salem College, Salem, West Virginia	1952
	Bone, Frederic W[atters], 683 Yale Ave., Riverview Heights, Albert Co., New Brunswick, Canada	1956
	Booth, Dr. Ernest S[heldon], Department of Biology, Walla Walla College, College Place, Washington	1946
	Booth, Mrs. Robert V. D., 1085 Bank St., Painesville, Ohio	1951
	Bordner, Miss Dorothy Louise, 926 W. Beaver Ave., State College, Pennsylvania	1953
	Borell, A[drey] E[dwin], Biologist, Great Plains States, Soil Conservation Service, 321 New Custom House, Denver 2, Colorado ..	1927
	Borror, Arthur Charles, 1593 Minnesota Ave., Columbus 11, Ohio ..	1957
	Borror, Dr. Donald J[oyce], Department of Zoology and Entomology, Ohio State University, Columbus 10, Ohio	1936
	Botsford, Miss E. Frances, Connecticut College, New London, Connecticut	1947
LEM	Boulton, [Wolfrid] Rudyard, Jr., 3234 Reservoir Rd., N.W., Washington 7, D. C.	(1915) 1929
	Bourns, T. K. R., Department of Biology, Queen's University, Kingston, Ontario	1953
	Bouslog, Dr. John S[amuel], 304 Republic Bldg., Denver 2, Colorado	1930
L	Bovey, Martin K., Chelmsford, Massachusetts	1942
HLEM	Bowdish, B[eecher] S[coville], Demarest, New Jersey	(1891) 1934
HL	Bowdish, Mrs. B[eecher] S., [Christabel Everett], Demarest, New Jersey	1902
	Bowen, Richard, 703 Pearse Rd., Swansea, Massachusetts	1947
	Bowers, Darl Eugene, Mills College, Oakland 13, California	1953
	Bowers, Glenn L[ee], 28 Stewart Place, Box 222, Shippensburg, Pennsylvania	1951
L	Bowers, Jim M., 595 N. 15th St., Salem, Oregon	1953
	Bowes, Mrs. Anne La Bastille, Covewood Lodge, Big Moose, New York	1955

	Bowles, John, 1424 Kentucky St., Lawrence, Kansas	1957
	Bowman, Robert I., 1069 Sterling Ave., Berkeley 8, California	1954
	Boyd, Dr. Elizabeth M[argaret], Zoology Department, Mount Holyoke College, South Hadley, Massachusetts	1948
	Boyd, John C., 6701 River Road, Bethesda 14, Maryland	1954
	Boyer, G[eorge] F[rederick], New College, Taylor's Lane, Boshan, Sussex, England	1946
EM	Brackbill, Hervey [Groff], 2620 Poplar Drive, Baltimore 7, Mary- land	(1940) 1949
	Bradburn, Dr. Donald Muir, 461 Pine St., New Orleans, Louisiana ..	1949
	Braden, Prof. Waldo W., 535 Ursuline Drive, Baton Rouge, Louisiana	1957
	Bradley, Miss Anna Penfield, 352 Whitney Ave., New Haven, Con- necticut	1933
	Bradley, Leonard J[oseph], Horseshoe Rd., Wilton, Connecticut ...	1946
	Bradley, Van A., 6836 Cherry Lane, Lincolnwood 45, Illinois	1957
	Brainerd, John W., Springfield College, Springfield, Massachusetts ..	1938
	Braman, Mrs. Myrtle, 206 W. Stayton Ave., Victoria, Texas	1951
	Branch, Mrs. Margaret G[amble], 1324 Wells St., Ann Arbor, Michi- gan	1954
L	Brand, Mrs. Albert R[ich], 700 Stewart Ave., Ithaca, New York	1934
	Brandt, John H., General Delivery, Durango, Colorado	1957
	Brattstrom, Bayard H., Adelphi College, Garden City, New York ...	1957
	Braunberns, James E[dward], Eighteen Mile Creek Rd., Derby, New York	1949
	Brauner, Joseph, 1033 Elkgrove Ave., Apt. 1, Venice, California	1933
L	Brecher, Leonard C[harles], 1900 Spring Dr., Louisville 5, Kentucky	1946
F	Breckenridge, Dr. Walter John, Museum of Natural History, Univer- sity of Minnesota, Minneapolis, Minnesota	(1926) 1950
	Breiding, George [Herbert], Oglebay Park, Wheeling, West Virginia	1944
	Breitenbach, Robert Peter, University of Wisconsin, 3203 N. Downer Ave., Milwaukee 11, Wisconsin	1957
	Brettle, Arthur C., 159 Pleasant Ave., Hamburg, New York	1954
	Brewer, Harvey W., 270 Herbert Ave., Closter, New Jersey	1954
	Brewer, Richard, Vivarium Building, Champaign, Illinois	1956
	Brigham, Edward Morris, Jr., Kingman Museum of Natural History, Battle Creek, Michigan	1942
	Brigham, H[erbert] Storrs, Jr., 5990 S. W. 44th Terrace, Miami 43, Florida	1946
	Brinckerhoff, Remsen, 156 Sherwood Pl., Englewood, New Jersey ..	1947
	Bristow, Miss Alice A[ndrews], Silvermine Rd., New Canaan, Con- necticut	1949
	Bristow, Harry S[herman], Jr., 210 Washington Ave., Cedars, Wil- mington, Delaware	1940
	Brittan, Martin Ralph, Department of Life Sciences, Sacramento State College, Sacramento, California	1947
	Brock, Jean A. M., 9752 Old Warson Rd., St. Louis 17, Missouri	1946
	Brocke, Rainer H[ans], 5707 Woodward, Apt. 7, Wayne, Michigan	1952
	Brockner, Winston William, 63 Ardmore Place, Buffalo 13, New York	1952
EM	Brodkorb, Dr. [William] Pierce, Department of Biology, University of Florida, Gainesville, Florida	(1925) 1937

	Brodrick, Harold J[ames], Big Bend National Park, Texas	1935
	Brody, Dr. Gerald L[ee], Department of Pathology, University Hospi- tal, Ann Arbor, Michigan	1951
EM	Broley, Charles Lavelle, Delta, Ontario, Canada (1926)	1949
	Brookfield, Charles M[ann], Box 284, Coconut Grove, Miami 33, Florida	1951
F	Brooks, Maurice Graham, Division of Forestry, West Virginia Uni- versity, Morgantown, West Virginia (1930)	1950
EM	Brooks, Winthrop Sprague, Kings Highway, Orleans, Massachusetts (1907)	1917
	Brooman, Edwin William, 590 River St., East, Prince Albert, Sas- katchewan, Canada	1943
	Brooman, R[onald] C[hables], c/o Bank of Montreal, Kitchener, Ontario, Canada	1931
EM	Broun, Maurice, Hawk Mountain Sanctuary, R. D. 2, Kempton, Penn- sylvania (1922)	1948
	Brower, Dr. Auburn E[dmond], 8 Hospital St., Augusta, Maine	1951
	Brown, Jerram L[efevre], Museum of Vertebrate Zoology, Berkeley 4, California	1949
	Brown, J[ohn] Warner, Oatka Farm, Scottsville, New York	1951
	Brown, Mortimer F[ayette], Overlook Rd., Westport, Connecticut . .	1951
	Brown, N[orman] Rae, Faculty of Forestry, University of New Brun- swick, Fredericton, New Brunswick, Canada	1946
	Brown, Wendell, 5224 Blake Rd., Minneapolis, Minnesota	1949
	Brown, William James, 4129 Dorchester St., West, Westmount, Quebec, Canada	1908
	Brown, W. L., 173 Hillhurst Blvd., Toronto, Ontario, Canada	1953
	Brown, Woodward H[art], 4815 Ingersoll Ave., Des Moines 12, Iowa	1950
	Browne, Andrew C., 350 Delmas Ave., San Jose 26, California	1952
	Bruce, James A[ddison], 565 E. Spring St., Wooster, Ohio	1952
	Bruestle, Bertram G[eorge], Old Lyme, Connecticut	1929
	Brumbaugh, Chalmers Sherfey, 317 St. Dunstan's Rd., Homeland, Baltimore 12, Maryland	1916
	Bruns, James Henry, 1820 Jefferson Ave., New Orleans, Louisiana . .	1942
L	Bruton, Ja[me]s D[eWitt], Jr., P. O. Box 33, Plant City, Florida . .	1949
EM	Bryant, Dr. Harold Child, 245 Glorietta Blvd., Orinda, California (1913)	1918
	Bryens, Oscar McKinley, 231 South Main St., Three Rivers, St. Joseph Co., Michigan	1924
	Buchheister, Carl W[illiam], 1239 Madison Ave., New York 28, New York	1939
	Buckalew, John H[erbert], 70½ Lake Ave., Wolcott, New York . . .	1948
	Buckland, George [Henry Edward], R. R. 1, Box 343, Batavia, New York	1948
	Buckley, P[aul] A[nthony], 6024 Fieldston Road, Riverdale 71, New York City, New York	1957
L	Bucknell, Donald [Needham], 134 Wonham St., Ingersoll, Ontario, Canada	1949
L	Bull, Dan Bernard, Box 608, La Mesa, California	1957
	Bull, John L., Jr., 1148 Virginia St., Far Rockaway 91, New York . .	1947

	Bullock, Dillman Samuel, Casilla 2D, Angol, Chile	1920
	Bunnell, John R., 1920 Baltimore Ave., Cincinnati 25, Ohio	1955
	Burch, Rose Lenora [Mrs. John Q.], 4206 Halldale Ave., Los Angeles 62, California	1947
	Burdick, David L[ivingston], R. R. 3, Box 66L, Rockford, Illinois ..	1957
	Bures, Joseph A., 148 N. 3rd St., West Newton, Pennsylvania	1944
	Burgess, Lawrence C. N., 9111 - 149 St., Edmonton, Alberta, Canada	1956
	Burk, Dr. Myrle M., R. R. 2, Waterloo, Iowa	1953
	Burkhart, Mrs. Elizabeth Z[immerman], Box 28, Route 1, Emmaus, Pennsylvania	1949
F	Burleigh, Thomas Dearborn, School of Forestry, University of Idaho, Moscow, Idaho	(1913) 1948
	Burmeister, Melvin W[illiam], 9822 Montrose Ave., Schiller Park, Illinois	1948
	Burner, Charles C[raig], 1410 S. Olive, Pittsburg, Kansas	1946
	Burner, Miss Florence H., 5350 Reisterstown Rd., Baltimore 15, Mary- land	1953
	Burnett, Miss Frances L., Proctor St., Manchester, Massachusetts ...	1946
	Burns, Robert D[avid], Department of Zoology, M.S.U., East Lansing, Michigan	1952
	Burns, Robert K[yle], Carnegie Laboratory of Embryology, Wolfe and Madison Sts., Baltimore 5, Maryland	1947
	Burr, Dr. Irving W[ingate], 1141 Glenway, W. La Fayette, Indiana	1939
	Burrows, George [Howard] [II], R.F.D. 1, New Market, New Hamp- shire	1951
	Bursewicz, John, 14 Chapin St., Jamestown, New York	1957
	Burton, Donald E., 171 Strathearn Rd., Toronto 10, Ontario, Canada	1955
	Burton, E[dward] Milby, The Charleston Museum, Charleston, South Carolina	1929
	Burt, Dr. Benjamin P[ickering], 109 Haffenden Rd., Syracuse 10, New York	1956
	Burt, Harold E., Department of Psychology, Ohio State University, Columbus 10, Ohio	1952
	Bushar, Don Mylo, 2806 Military Rd., Sioux City 17, Iowa	1954
	Bushman, John B[ranson], Ecological Research, University of Utah, Dugway, Utah	1948
EM	Buss, Prof. Irven O[tto], 804 Alpha Rd., Pullman, Washington (1939)	1954
	Butler, Mrs. Christella Campbell, 1422 Parkland Ave., Parkland, Bucks Co., Pennsylvania	1946
	Buxton, Robert B[urns], Box 427, Damariscotta, Maine	1949
	Byrd, Mitchell A[gee], Department of Biology, College of William and Mary, Williamsburg, Virginia	1950
	Cadbury, Joseph M[oores], 108 W. Phil-ellena St., Philadelphia 19, Pennsylvania	1940
EM	Cade, Tom[my] [Joe], 526 Gayley, Los Angeles 24, California	1957
	Cadwalader, Capt. John, USNR, Ambler, Pennsylvania	1940
	Cady, Dr. Walter G[uyton], 3350 Calvert Rd., Pasadena 8, California	1950
EM	Cahalane, Victor H[arrison], New York State Museum, Albany 1, New York	(1934) 1946
	Calder, David R., 35 Meyrick Ave., Durban, Natal, Union of South Africa	1955

	Caldwell, Dorothy W., 73 Foster St., Littleton, Massachusetts	1939
	Caldwell, Larry D., Department of Zoology, University of Georgia, Athens, Georgia	1954
	Calef, Robert Taylor, 734 East University, Ann Arbor, Michigan . . .	1954
	Callahan, Philip Serna, Entomology Research Department, Louisiana State University, Baton Rouge, Louisiana	1953
	Calvert, Earl Wellington, R. R. 2, County Home, Lindsay, Ontario, Canada	1936
	Calvin, Robert L[éal], 35 Fairhill Dr., Mt. D. 11, New Castle, Pennsylvania	1950
	Calvo, Manuel J., 4101 Dresden St., Kensington, Maryland	1948
	Campbell, Mrs. Elizabeth W. Crozer, Route 2, Box 871-A, Tucson, Arizona	1947
	Campbell, John M., 232 Whitney Ave., New Haven, Connecticut . .	1951
EM	Campbell, Louis W[alter], 4531 Walker Ave., Toledo 12, Ohio (1929)	1939
	Campbell, Mildred F[larence], 29 North Hawthorne Lane, Indianapolis 19, Indiana	1954
	Camras, Dr. Sidney, 6115 North Springfield, Chicago 45, Illinois . .	1937
	Cant, Gilbert, 716 Guion Dr., Mamaroneck, New York	1946
	Cantor, Irving, 75 Bank St., New York 14, New York	1952
	Cardiff, Eugene A[lvin], 2736 Court Street, Rialto, California	1949
	Carl, George Clifford, Provincial Museum, Victoria, British Columbia, Canada	1941
	Carl, Harry G., 2304 Davie St., Davenport, Iowa	1949
	Carleton, Geoffrey, 40 W. 12th St., New York 11, New York	1957
LEM	Carnes, Mrs. Herbert E., 31 Dogwood Lane, Tenafly, New Jersey (1944)	1955
	Carpenter, Dr. Charles C., Department of Zoology, University of Oklahoma, Norman, Oklahoma	1952
EM	Carriker, M[elbourne] A[rmstrong], Jr., Apartado Nac. No. 82, Popayán, Colombia, South America (1907)	1933
	Carson, L[enwood] B[allard], 1306 Lincoln, Topeka, Kansas	1948
	Carter, Charles E[dward], 1339 30th Street, Orlando, Florida	1951
	Carter, Dennis L[ee], Department of Zoology & Entomology, Science Hall, Iowa State College, Ames, Iowa	1954
	Carter, Dildford Campbell, Department of Wildlife Management, Texas A. and M. College, College Station, Texas	1957
	Carter, Dr. Frances, Women's Faculty Club, University of California, Berkeley 4, California	1954
	Carter, Helen Virginia, 1837 Broadway, New Orleans, Louisiana	1957
	Carter, T[homas] Donald, American Museum of Natural History, Central Park West at 79th, New York, New York	1921
EM	Cartwright, B[ertram] W[illiam], Ducks Unlimited, 201 Canada Bank of Commerce, Winnipeg, Manitoba, Canada (1924)	1952
	Cartwright, John, Cartwright's Point, P. O. Box 358, Kingston, Ontario, Canada	1956
	Cartwright, William J[ames], Williamstown, Massachusetts	1920
	Case, Ralph E., Bluff Head Farm, Guilford Road, Rt. 77, Durham, Connecticut	1949
	Cassel, Dr. J[oseph] Frank[lin], Zoology Department, North Dakota Agricultural College, Fargo, North Dakota	1935

	Castle, Dr. Gerald H[arvey], 722-4 Oak Street, Cincinnati 6, Ohio ..	1950
	Castle, Peter Watson, 42 Walker St., Cambridge 38, Massachusetts	1953
	Caswell, Edwin B., 5638½ N. Sultana Ave., Temple City, California	1952
	Caswell, Herbert H[all], Jr., Eastern Michigan College, Ypsilanti, Michigan	1952
	Cayouette, Raymond, Quebec Zoological Garden, Charlesbourg, R. R. 2, Quebec, Canada	1936
	Chadwick, Betty Ives [Mrs. Arthur], Hidden Meadow Road, Weston, R. D. 4, Connecticut	1957
L	Chalif, Edward Louis, Barnsdale Rd., Short Hills, New Jersey	1935
	Chamberlain, Norman A[llison], "Crittter Hill," Route 1, Matthews, North Carolina	1950
L	Chamberlain, Samuel Renick, Refugio, Texas	1952
LF	Chambers, W[illie] Lee, Robinson Rd., Topanga, California .. (1907)	1953
	Chapelle, Lt. Col. Francis O., MSC, U. S. Army Hospital, West Point, New York	1954
F	Chapin, Dr. James P[aul], c/o IRSAC, Bukavu (depêche speciale), Kivu, Belgian Congo..... (1906)	1921
	Chapin, Dr. John L[adner], Physiology Department, University of Colorado Medical School, Denver, Colorado	1950
	Chapin, Ruth Trimble, [Mrs. James Paul] c/o IRSAC, Bukavu (depêche speciale) Kivu, Belgian Congo	1932
	Chapman, Dr. Floyd Barton, 392 Walhalla Rd., Columbus 2, Ohio....	1936
	Chapman, Lawrence B[oyston], Princeton, Massachusetts	1930
	Chase, Henry B[right], Jr., 517 Decatur St., New Orleans 16, Louisiana	1948
	Cheek, John A[damsen], Jr., 226 North Fourth St., Danville, Kentucky	1952
	Cheshire, W[illiam] F[rancis], 667 Elizabeth St., Fredericton, N. B., Canada	1950
	Chew, Dr. Robert M., Department of Zoology, University of Southern California, Los Angeles 7, California	1953
	Choate, Dr. Ernest A., 411 Rodman Ave., Jenkintown, Pennsylvania	1943
	Church, Ronald L., 478 Capital St., Oakland 10, California	1953
	Churchill, Mrs. L. W., 10 Juniper Rd., Belmont 78, Massachusetts	1951
	Chute, Richard S[ears], 78 Upland Rd., Brookline 46, Massachusetts	1950
	Clancey, Phillip Alexander, Durban Museum and Art Gallery, Dur- ban, Natal, South Africa	1951
	Clapp, Richard L[owell], 1720 Brooklyn, Box 10, Los Angeles 33, California	1952
	Clapp, Roger Barnum, RFD 1, Falls Village, Connecticut	1957
	Clark, Mrs. Ben P., 948 Forrest Ave., Gadsden, Alabama	1955
	Clark, Fanny Dwight, [Mrs. Grenville], Dublin, New Hampshire	1940
	Clark, George A[lfred], Jr., 1 West Campus, Easton, Pennsylvania	1956
	Clark, George R[oberts], W. Valley Green Rd., Flourtown, Penn- sylvania	1926
	Clark, Gregory, 119 Crescent Rd., Toronto, Ontario, Canada	1951
	Clarke, Charles Everett, 76 Ashland St., Medford 55, Massachusetts ..	1907
EM	Clarke, Dr. C[harles] H[enry] D[ouglas], Fish and Wildlife Division, Department of Lands and Forests, Parliament Buildings, Toronto 2, Ontario, Canada	(1931) 1947
	Clarke, Dr. George L[eonard], Biological Laboratories, Harvard Uni- versity, Cambridge 38, Massachusetts	1956

L	Clarke, William S., Jr., Box 167, State College, Pennsylvania	1947
L	Clarkson, Elizabeth Barnhill, [Mrs. Edwin O.], Wing Haven, 248 Ridgewood Ave., Charlotte, North Carolina	1943
	Clattenburg, Albert E[dwin], Jr., 4764 33rd St. N., Arlington 7, Vir- ginia	1929
	Clay, C. I., Box 253, Eureka, California	1950
L	Cleaves, Howard H[enrierson], 3 Maratzek Court, Staten Island 9, New York	1907
	Cleghorn, James Donald, Zoology Division, Redpath Museum, McGill University, Montreal 2, Quebec, Canada	1937
	Clement, Roland C[hables], 26 Brookfield Rd., Riverside 15, Rhode Island	1935
L	Clements, H[iram] Everest, 49 Stoncham Rd., Rochester 10, New York	1949
	Clough, Garrett C[onde], Department of Zoology, University of Wis- consin, Madison 6, Wisconsin	1948
	Clow, Miss Marion [Frances], P. O. Box 163, Lake Forest, Illinois ..	1929
	Clyde, E. C., Jr., Effingham, South Carolina	1956
	Cobb, Boughton, 180 Madison Ave., New York, New York	1948
	Cobb, Dr. Stanley, 34 Fernald Drive, Cambridge 38, Massachusetts	1909
	Coble, Miss Mary Ferguson, 1357 N. Stanley, Hollywood 46, California	1953
EM	Coffey, Ben Barry, Jr., 672 N. Belvedere, Memphis, Tennessee .. (1929)	1950
	Coffin, Mrs. Francis Hopkinson, 1512 Jefferson Ave., Scranton, Penn- sylvania	1921
	Coggeshall, Robert D[aight], Billington Rd., East Aurora, New York	1954
	Coggins, Herbert L[eonard], 2764 Filbert St., San Francisco, California	1898
EM	Cogswell, Howard L[yman], Department of Biological Sciences, Mills College, Oakland 13, California	(1943) 1952
	Cohn, Dr. Zanvil A., 1948 Rosemary Hills Drive, Apt. #3, Silver Spring, Maryland	1955
	Cole, [Margaret] Evelyn, 707 East Chester St., Jackson, Tennessee ..	1950
L	Cole, Richard D[aniel], 625 Valley Lane, Towson 4, Maryland	1951
	Cole, Mrs. Whiteford R., Jr., 1746 Sulgrave Rd., Louisville 5, Ken- tucky	1955
	Cole, William W[alter], Jr., R. D. 3, Box 316, Apollo, Pennsylvania ..	1956
EM	Collias, Dr. Nicholas E[lias], c/o Mrs. Dora D. Cole, 131 Clinton Ave., Tiffin 10, Ohio	(1950) 1954
	Collier, Gerald 3634, N. Muscatel Ave., Rosemead, California	1953
	Collins, Mrs. D[aniel] S., [Kathryn W.], 603 Thomas Ave., Jonesboro, Arkansas	1950
L	Collins, Henry Hill, Jr., 1200 Post Road, Scarsdale, New York	1923
	Collister, Allegra Edith [Mrs. Carl], 766 Hover Rd., Longmont, Colorado	1949
	Collum, Thomas F[rancois], 1070 Lucile Ave. S. W., Atlanta 10, Georgia	1957
	Colton, Harold S[elters], Coyote Range, Box 601, Flagstaff, Arizona	1944
	Colwell, Frederick A[ndrew], R. F. D. 2, Colledgeville, Pennsylvania ..	1949
	Comfort, James F[rank], 27 N. Iola Dr., Webster Groves 19, Missouri	1951
	Compton, Miss Dorothy M[ay], 22 Wilton St., Princeton, New Jersey	1931
	Compton, Dr. Lawrence V[ictor], Biology Division, Soil Conservation Service, Washington 25, D. C.	1926

L	Conboy, Mrs. John William, [Esther Cogswell], 417 Studebaker St., Mishawaka, Indiana	1954
	Cone, Edward T[oner], 1 Queenston Place, Princeton, New Jersey ..	1933
	Congdon, Dr. Russell T[hompson], 122 S. Cleveland, Wenatchee, Washington	1947
	Conkey, John Houghton, 11 Chestnut St., Ware, Massachusetts	1929
	Conn, Robert C., 755 Ross Lane, Bound Brook, New Jersey	1945
	Connor, Paul F., New York State Museum, Albany 1, New York	1957
	Conway, William G[aylord], New York Zoological Society, Bronx Park, New York 60, New York	1951
L	Cooch, F[rederick] Graham, 685 Echo Dr., Ottawa, Ontario, Canada	1952
	Cook, Fannye A[ddine], Apt. 4B, 827 North State St., Jackson, Mississippi	1924
	Cook, Robert E[dwin], Main St., Elverson, Pennsylvania	1950
	Cook, [William] Bolton, 20 Irenhyl Ave., Port Chester, New York ..	1929
LEM	Cooke, Miss May Thacher, Apt. 401, 1400 Fairmount St., N. W., Washington, D. C. (1915)	1926
	Coolidge, Oliver H[ill], Broad Brook Road, Bedford Hills, New York	1928
	Coolidge, Philip T[ripp], Box 102, Bangor, Maine	1919
L	Coombes, Robert A[rmitage] H[amilton], British Museum (Natural History), The Zoological Museum, Tring, Hertfordshire, England	1935
	Coombs, Mrs. Robert D., 375 Paramus Rd., Paramus, New Jersey ..	1957
HL	Cope, Francis R[eeve], Jr., Dimock Post Office, Pennsylvania	1892
	Cope, James B[onwill], Earlham College, Richmond, Indiana	1948
HL	Copeland, Prof. Manton, 88 Federal St., Brunswick, Maine	1900
	Corbett, Kenneth Blair, R. F. D., Box 68, Lancaster, Pennsylvania ..	1947
	Corey, Eben F[ox], Barrett's Mill Rd., Concord, Massachusetts	1949
	Cormier, Francis, 27 North Central Ave., Hartsdale, New York	1952
	Corneil, Paul, 1910 Florida, Baytown, Texas	1957
F	Cottam, Dr. Clarence, Welder Wildlife Foundation, P. O. Box 1396, Sinton, Texas	(1928) 1942
	Cottrell, G[eorge] W[illiam], Jr., 70 Lakeview Ave., Cambridge 38, Massachusetts	1938
	Cottrille, Mrs. W. Powell, 6075 Brown's Lake, Jackson, Michigan ...	1953
	Cottrille, Dr. W[illiam] Powell, 6075 Brown's Lake Rd., Jackson, Michigan	1951
	Coursen, C[harles] Blair, 8200 S. Hayne Ave., Chicago 20, Illinois ..	1928
	Coven, Glenn E., Millstone Rd., R. F. D. 1, Somerville, New Jersey ..	1953
	Covert, James L[ee], 256 Ridgeway Corner, Louisville 7, Kentucky ...	1949
	Cowan, John B[etts], Gray Lodge Refuge, Gridley, California	1951
	Cox, George Wyatt, Vivarium Bldg., Wright and Healey St., Cham- paign, Illinois	1957
	Cox, Sam M[adison], 2624 Minnesota Ave., Duluth 11, Minnesota ..	1947
	Coxon, Thomas T., 2502 Leon Ave., Vero Beach, Florida	1954
	Coy, Roy E[arl], St. Joseph Museum, 11th and Charles, St. Joseph 13, Missouri	1951
	Cragg, Hoyt J., 4451 Tupelo St., Baton Rouge, Louisiana	1947
F	Crandall, Lee Saunders, New York Zoological Park, 185th St. and Southern Blvd., New York, New York	(1909) 1951
L	Crane, Cornelius, c/o Eva B. Simpson, Secretary, 389 West 225th St. New York 71, New York	1930

	Crawford, Alan, Jr., White Horse Rd., Devon, Pennsylvania	1949
	Crawford, Mary Newell, White Horse Rd., Devon, Pennsylvania . . .	1946
	Creager, Joe C[lyde], Drawer 1267-L.A. Cann Dr., Ponca City, Okla- homa	1948
	Cringan, A. T., 22 Collingwood, Guelph, Ontario, Canada	1948
L	Crockett, David, 3933 Kirkland Court, Route 3, Bloomfield Hills, Michigan	1955
	Croft, Joseph E[dward], 2366 Gladstone Ave., Louisville 5, Kentucky	1957
	Crompton, Davis H[astings], 74 William St., Worcester, Massachusetts	1934
	Crouch, Dr. James E[nsign], San Diego State College, San Diego 5, California	1928
	Crowell, Mrs. Prince S[ears], Box 746, Woods Hole, Massachusetts . .	1930
	Crowell, Prince S[ears], Jr., Department of Zoology, Indiana Univer- sity, Bloomington, Indiana	1946
	Crowley, Lawrence D., 1212 Cascade, Boulder, Colorado	1955
L	Crowninshield, Mrs. Francis, Peach Point, Marblehead, Massachusetts	1941
EM	Cruikshank, Allan D[udley], R. R. 1, Box 1590, Rockledge, Florida (1933)	1945
	Crumpacker, Mrs. D. P., R. R. 3, Milan, Missouri	1952
	Cruttenden, Mrs. John R., 2020 Maine St., Quincy, Illinois	1957
	Cumming, Fairman P., Box 330, Nashville 1, Tennessee	1952
	Cummings, G[eorge] Clark, Room 1018, 61 Broadway, New York 6, New York	1951
	Cunningham, James W., 3009 E. 19th St. Terrace, Kansas City, Mis- souri	1937
	Cunningham, Richard L[ynn], 2176 N. W. 24th St., Miami, Florida . .	1952
	Curl, Dr. A[lfred] Laurence, 751 Balra Dr., El Cerrito 8, California . .	1950
	Curry, Haskell B[rooks], Pennsylvania State University, University Park, Pennsylvania	1943
	Curtin, David Y., 3 W. Montclair, Urbana, Illinois	1953
	Curtis, Miss Elizabeth L[ong], 5648 Beach Dr., Seattle 16, Washington	1934
	Curtis, Mrs. Vee [Kaelin], 2412 Cohasset Rd., Chico, California	1947
	Cuthbert, Dr. Nicholas L[e Huray], Central Michigan College, Mount Pleasant, Michigan	1951
	Cutler, Henry H., 5 Shelley Rd., Wellesley Hills 82, Massachusetts . . .	1954
	Dahmer, Horace A., 174 Simeon St., Kitchener, Ontario, Canada	1954
	Dallas, Donald E[dward], Jr., LtJG, BTG-3N NAAS Whiting Field, Milton, Florida	1953
	Daly, Edwin J., 16 Prospect Pl., Brooklyn 17, New York	1957
	Dana, Edward F[ox], 57 Exchange St., Portland, Maine	1941
	Dane, Benjamin, Stimson Hall, Cornell University, Ithaca, New York	1957
	D'Angelo, Angelo, 32 Hamilton Ave., Hasbrouck Heights, New York	1946
	Darby, Richard T[horn], Prospect St., Sherborn, Massachusetts	1936
	Darby, R[ollo] E[verett], 2103 Walnut, Carmichael, California	1950
	Darden, Mrs. Colgate W., Carr's Hill, Charlottesville, Virginia	1954
	Darling, Louis, Center St., Westport, Connecticut	1954
	Darraha, Miss M[ary] Elizabeth, 317 East Buffalo St., Ithaca, New York	1955
	Dater, Mrs. John Y. [Eleanor E.], 259 Grove St., Ramsey, New Jersey	1949
	Davenport, Mrs. Allen G[raham], [Mabelle Griffith], 39 Walcott Ave., Jamestown, Rhode Island	1951

	Davey, Dr. Winthrop N., University Hospital, Ann Arbor, Michigan	1946
	Davidson, John B., 327 Driftwood Rd., Corona Del Mar, California ..	1954
	Davidson, Mrs. William F., 332 Summit Ave., St. Paul 2, Minnesota ..	1955
	Davidson, William M[ark], 1504 Bodell St., Orlando, Florida	1927
	Davis, Bertha Eunice, Box 18, Hampden, Massachusetts	1920
	Davis, Clifford V[ernon], Department of Zoology and Entomology, Montana State College, Bozeman, Montana	1948
EM	Davis, Dr. David E[dward], School of Hygiene and Public Health, Johns Hopkins University, Baltimore 5, Maryland	(1935) 1941
	Davis, Dr. Earle A., Jr., College of Osteopathic Physicians and Sur- geons, 1721 Griffin Ave., Los Angeles 31, California	1946
	Davis, Dr. Edwin G[riffith], 1316 22nd St., South, Arlington 2, Virginia	1940
	Davis, Frederick Whitlock, 12004 Colesville Rd., Silver Spring, Maryland	1955
	Davis, Gertrude L. [Mrs. James M.], 203 Collingsworth Drive, Roches- ter 10, New York	1949
EM	Davis, Dr. John, Hastings Reservation, Jamesburg Route, Carmel Valley, California	(1939) 1953
EM	Davis, L[ouie] Irby, Box 988, Harlingen, Texas	(1935) 1955
	Davis, Malcolm, R. F. D. 2, Herndon, Virginia	1938
	Davis, Lt. Paul A[nthony], 829 Grant St., Gary, Indiana	1953
	Davis, Peter Wright, 506 North Center Ave., Merrill, Wisconsin	1956
LEM	Davis, Dr. William B., Department of Wildlife Management, A. and M. College of Texas, College Station, Texas	(1938) 1949
	Davis, Dr. William E[dwin], Old Acres, R. F. D., Bedford, Massa- chusetts	1949
	Davis, Dr. William F[ranklin], 1800 E. 105th St., Cleveland 6, Ohio ..	1947
	Dawe, Arnold L[ewis], R. R. 2, Weston, Ontario, Canada	1948
	Dawn, Walter H[enry], 176 Wentworth St., Apt. E, Charleston, South Carolina	1947
	Dawson, Elliot W., University of Cambridge, Department of Zoology, Downing St., Cambridge, England	1957
EM	Dawson, Dr. William Ryan, Department of Zoology, University of Michigan, Ann Arbor, Michigan	(1947) 1955
	Dean, Mrs. Blanche E., Apt. 13, 1228 South 29th St., Birmingham 5, Alabama	1949
	Dean, William B., 282 Lake St., Seekonk, Massachusetts	1946
L	Deane, Mrs. Ruthven, 830 Hibbard Rd., Winnetka, Illinois	1935
	Dear, L[ionel] S[extus], P. O. Box 146, Port Arthur, Ontario, Canada	1928
	Dearborn, John H., Meadow Cove Rd., East Boothbay, Maine	1952
	De Camps, Ernest Jules, R. F. D. 5, Greer, South Carolina	1946
	Dechen, Mrs. Lillian O[rvetta], 14 Summer St., Port Dickinson, Bing- hamton 6, New York	1949
	Decker, Anton M[ichael], 75 North St., Ext., Rutland, Vermont	1949
	DeCou, Richard W[illiam], Crosswicks, New Jersey	1949
	DeGroot, Dr. Dudley S[argent], Athletic Branch-S.A.D., U.S.A.R.E.- U.R., APO 245, c/o P. M. New York City, New York	1947
F	Deignan, Dr. Herbert G[irton], Division of Birds, U. S. National Museum, Washington 25, D. C.	(1923) 1946
	Dejulis, Anne Victoria, 61 Berkeley Ave., Belleville 9, New Jersey	1954

F	Delacour, Jean, Los Angeles County Museum, Exposition Park, Los Angeles 7, California (1920)	1946
	De La Vega, Mario, Jr., c/o Sucs. de Alonso y Cia., S. A. Apartado No. 337, Havana, Cuba	1949
	Demme, Robert Jonathan, 27 Lorenz Ave., Baldwin, New York	1957
	Denham, Reginald, 100 Central Park South, New York, New York	1947
	Denney, Dr. John DeWitt, 30 S. 2nd St., Columbia, Pennsylvania	1951
	Dennis, John V[alue], 17 Liberty St., Nantucket, Massachusetts	1948
EM	Denton, Dr. J[ames] Fred, 1510 Pendleton Rd., Augusta, Georgia (1935)	1950
HL	Derby, Dr. Richard, Oyster Bay, Long Island, New York	1898
LF	De Schauensee, Rodolphe M[eyer], Devon, Pennsylvania	(1925) 1942
L	Desmond, Thomas C[hables], Box 670, Newburgh, New York	1929
	Dettmann, Warren, Milwaukee Public Museum, Milwaukee, Wisconsin	1936
	Detwiler, Rev. Garrett S., 194 Seventh St., Salem, New Jersey	1957
	DeVane, Claude L[ee], Parks and Playgrounds Department, Courthouse, Tampa, Florida	1954
	Devaney, Bernard [Charles], 212 Nevin St., Lancaster, Pennsylvania	1948
	De Vel, Dr. Leon, 739 Plymouth Blvd. SE, Grand Rapids 6, Michigan	1948
	Devitt, Otto Edmund, Richmond Hill, Box 916, Ontario, Canada	1933
	Devlin, Joseph M[ark], 218 South 43rd St., Philadelphia 4, Pennsylvania	1955
	De Vos, Dr. Antoon, Department of Entomology and Zoology, Ontario Agriculture College, Guelph, Ontario, Canada	1954
	Dexter, Dr. Ralph W[arren], Kent State University, Kent, Ohio	1942
	Dick, John Henry, Dixie Plantation, Meggett, South Carolina	1956
	Dickens, Miss Elizabeth, Dickens Point, Block Island, Rhode Island	1921
	Dickerson, Mrs. Stanley S., 222 Devoe Ave., Spotswood, New Jersey	1957
	Dickerson, Stanley S., 77 Main St., South River, New Jersey	1954
L	Dickey, Mrs. Florence V. V., Kenton Cottage, Alleghany, Sierra County, California	1948
	Dickie, Mrs. Roy N. [Eva S.], 3840 Loquat Ave., Miami 33, Florida ..	1952
EM	Dickinson, Dr. J[oshua] C[lifton], Jr., Department of Biology, University of Florida, Gainesville, Florida	(1937) 1952
	Dickinson, Harold, Department of Engineering, University College of Swansea, Singleton Park, Swansea, Wales	1957
	Diedrich, John Lester, 3125 West Pierce St., Milwaukee 15, Wisconsin	1948
	Dignam, John Hugh, 51 Bishop Ave., Willowdale, Ontario, Canada ..	1953
	Dignan, Adrian John, 98 Hillside Ave., Freeport, L. I., New York	1956
EM	Dilger, Dr. William C., Laboratory of Ornithology, Cornell University, Ithaca, New York	(1951) 1957
	Dillery, Dean G., 1118 20th Ave., Columbus, Ohio	1957
	Dingle, Edward von Siebold, Huger, South Carolina	1920
	Dingle, Hugh, 156 Spruce St., Princeton, New Jersey	1953
	Dittemore, Lester Poe, 1207 Bryon Ave., Topeka, Kansas	1952
	Diven, Liscum, Box 1063, Route 1, Scottsdale, Arizona	1956
	Dixon, James B[enjamin], 2266 Cranston Dr., Escondido, California	1939
EM	Dixon, Dr. Keith L[ee], Department of Wildlife Management, A. and M. College of Texas, College Station, Texas	(1943) 1953
	Dixon, Ralph E., P. O. Box 981, Del Mar, California	1947
	Dobie, Mrs. James Frank, 702 Park Place, Austin 5, Texas	1956

	Dodge, Ernest S[tanley], Peabody Museum, Salem, Massachusetts	1936
	Doepel, Mrs. Henry W., [Leslie O.], 30 Cooper Lane, Larchmont, New York	1952
	Doering, Hubert R[aymond], 242 East Walton Place, Chicago 11, Illinois	1944
	Donnelly, Miss Grace Marie, 102 Helen M. White House, Ithaca, New York	1954
	Dornan, John, E. Graver's Lane and Flourtown Rd., Chestnut Hill, Philadelphia 18, Pennsylvania	1947
	Dorsey, George A., Darlington School, Rome, Georgia	1954
	Douglass, Dr. Donald W[ickware], Game Division, Department of Conservation, Mason Building, Lansing 26, Michigan	1943
	Dowling, P[aul] Bruce, A. A. Busch Wildlife Area, Weldon Springs, Missouri	1950
	Down, E. H., 28 Lynton Mead, Totteridge, London, N. 20, England ..	1952
	Downing, Kirk Edward, Box 489, Arkansas City, Kansas	1957
	Downing, Paul E., 459 Roger Williams Ave., Highland Park, Illinois	1954
	Downs, Mrs. James R., South Londonderry, Vermont	1954
	Drake, Robert J., Department of Zoology, University of Arizona, Tucson, Arizona	1957
	Drayton, John W[elsh], Waterloo and Sugartown Rds., Berwyn, Pennsylvania	1957
	Dressel, Evan C[harles], Western Reserve Rd., R. R. 1, Poland, Ohio	1949
	Dresser, Mrs. James D., Jr., 9620 Von Thaden, Wichita, Kansas	1950
	Drinkwater, Howard [Frank], Whitehouse Station, New Jersey	1950
L	Drury, Dr. William H., Jr., Drumlin Farm, South Lincoln, Massa- chusetts	1935
EM	Du Bois, Alexander Dawes, Christmas Lake Road, R. R. 5, Excelsior, Minnesota (1905)	1950
	Duff, C[arroll] V[ictor], 2911 Antelo View Drive, Los Angeles 24, California	1953
	Duffield, Mrs. J. W. [Marjorie O.], 1472 Eskridge Way, Olympia, Washington	1952
	Duffy, John J[oseph], Jr., 7219 Richwood, Little Rock, Arkansas	1952
	Dumback, Edward A., Route 1, Box 106, Independence, Wisconsin ..	1954
EM	Du Mont, Philip A[tkinson], 4114 Fessenden St., N. W., Washington 16, D. C. (1927)	1941
	Dunbar, Mrs. Henry F., R. F. D. 3, Box 194, Kingston, New York	1955
	Duncan, Dr. Stewart, c/o Biology Department, Boston University, 675 Commonwealth Ave., Boston, Massachusetts	1954
	Dunham, Mrs. Caroline A[llen], 450 Beverly Road, Ridgewood, New Jersey	1933
	Dunham, David Warren, 96 West Main St., Dryden, New York	1956
	Dunlap, Dr. V[ining] C[ampbell], Bowdoinham, Maine	1950
L	Dunning, John S[tewart], Hungary Road, Gramby, Connecticut	1950
	Dunning, Orville M., 22 Longridge Rd., Plandome, New York	1952
	Durango, Sigfrid, Taby, Sweden	1956
	Durham, Mrs. Alma Gower, 1002 Commercial Ave., Coleman, Texas	1956
L	Dvorak, Joseph L[ouis], 6125 Eddy St., Chicago 34, Illinois	1957
	Dyer, A. William, 402 John St., Union City, Michigan	1946

	Dzubin, Alex, Canadian Wildlife Service, 317 Field Husbandry Bldg., University of Saskatchewan, Saskatoon, Canada	1956
	Earle, Osborne, 71 Appleton St., Cambridge 38, Massachusetts	1957
	Eastman, Francis B[uck], P. O. Box 96, Mandeville, Louisiana	1909
	Eastman, Whitney [Haskins], 4450 West Lake Harriet Blvd., Minneapolis 10, Minnesota	1949
	Eaton, Richard J[efferson], Bedford Rd., Lincoln, Massachusetts	1930
	Eaton, Dr. Stephen W[oodman], Department of Biological Sciences, St. Bonaventure University, St. Bonaventure, New York	1942
	Ebert, Mrs. Ernest C. [Ruth], 3435 Dwight Way #18, Stockton, California	1946
EM	Eckelberry, Don [Richard], 4 Foster Lane, Babylon, Long Island, New York	(1942) 1957
	Edberg, Ragnar, Nygatan 49, Orebro, Sweden	1956
	Eddy, Garrett, 4515 Ruffner St., Seattle 99, Washington	1939
	Edeburn, Dr. Ralph M[ilton], Marshall College, Huntington I, West Virginia	1947
	Edey, Maitland A[rmstrong], Wolver Hollow Rd., Brookville, Long Island, New York	1948
	Edge, Mrs. Charles N[oel], 767 Lexington Ave., New York, New York	1938
	Edwards, Alice N[ettleton], [Mrs. O. M.], Box 508, Rockport Cottages, Rockport, Texas	1949
EM	Edwards, Dr. Ernest P[reston], Houston Museum of Natural History, Hermann Park, Houston, Texas	(1949) 1954
	Edwards, Dr. Kenneth F[rederick], 169 Hillendale Ave., Kingston, Ontario, Canada	1952
	Egerton, Frank N[icholas] III, 1517 Caswell Place, Durham, North Carolina	1952
L	Einhorn, Benjamin, 7 Parker Ave., West Deal, New Jersey	1946
	Eiseman, Ralph Milton, 7928 South Colfax, Chicago 17, Illinois	1954
	Eisenhart, Jay Newton, R. D. 2, Watervliet, New York	1957
	Eisenhart, Ruth C[ecilia], 1316 Riverside Drive - Apt. 51, New York 33, New York	1949
LEM	Eisenmann, Eugene, 110 West 86th St., New York 24, New York (1936)	1951
	Ekblaw, George E[ibert], 511 W. Main St., Urbana, Illinois	1946
	Ekdahl, Conrad H[oward], Box 1246, Daytona Beach, Florida	1948
	Eklund, Dr. Carl M[ilton], Rocky Mountain Laboratory, Hamilton, Montana	1950
L	Eldredge, Everett, Chatham, Cape Cod, Massachusetts	1928
	Eliot, Samuel A[tkins], Jr., 31 Dryads Green, Northampton, Massachusetts	1936
	Eliot, Theodore L[yman], 401 Golden Gate Ave., Belvedere, California	1940
	Eliotharp, Miss Marie, 221 Ten Eyck St., Watertown, New York	1954
	Elkins, Kimball C[onro], 3½ Madison St., Cambridge 38, Massachusetts	1940
	Ellarson, Robert S[cott], 424 University Farm Place, Madison 6, Wisconsin	1952
	Elliott, Charles Fremont, 107 Clinton Place, Hackensack, New Jersey	1936
	Elliott, John Jackson, 3994 Park Ave., Seaford, Long Island, New York	1940
	Elson, John, 2001 Ogden Ave., Knoxville 16, Tennessee	1957

	Ely, Charles [Adelbert], Department of Zoology, University of Oklahoma, Norman, Oklahoma	1948
	Ely, Dr. DeForest, 180 Sullican St., New York, New York	1954
	Emerson, David Lowell, 155 Burt St., Taunton, Massachusetts	1940
	Emerson, Guy, 16 E. 11th St., New York 3, New York	1947
	Emerson, Miss Mary Louise, 587 Ashland Ave., Buffalo 22, New York	1949
	Emerson, Stephen, 806 W. Main St., Urbana, Illinois	1950
	Emerson, William S., c/o Potash & Chemical Co., 201 West Washington Blvd., Whittier, California	1954
	Emery, F[rank] H[ardie], 29 Old Mill Terrace, Toronto, Ontario, Canada	1928
	Emery, Mrs. Ruth P[rice], 225 Belmont St., Wollaston 70, Massachusetts	1954
EM	Emilio, S[hepard] Gilbert, Gilford, New Hampshire	(1922) 1938
F	Emlen, Dr. John T[hompson], Jr., Department of Zoology, University of Wisconsin, Madison 6, Wisconsin	(1925) 1949
	English, Almon Owen, 2803 Rosalind Ave., S. W., Roanoke 14, Virginia	1928
	English, Dr. P[ennoyer] F[rancis], Agricultural Education Building, Penn State University, University Park, Pennsylvania	1938
	Ennis, Dr. J[ames] Harold, Cornell College, Mount Vernon, Iowa ..	1941
	Enssler, Harry Thomas, 411 Waverly Rd., Wyncote, Pennsylvania ...	1946
	Ephraim, William A[bbe], 530 Riverdale Ave., Yonkers, New York ..	1949
	Erickson, Dr. Arnold Burton, Game Res. Unit Bur. Res. & Planning, 600 Shubert Building, St. Paul 2, Minnesota	1936
	Erickson, Dr. John G[erhard], 1344 So. Second St., Stillwater, Minnesota	1952
EM	Erickson, Dr. Mary Marilla, University of California, Santa Barbara College, Goleta, California	(1947) 1950
	Erickson, Ray C[harles], 802 So. Arl. Mill Dr., Apt. 11, Arlington 4, Virginia	1946
	Ernst, Roger, Mrs., 170 Sargent Road, Brookline, Massachusetts	1956
F	Errington, Dr. Paul L[ester], Insectary, Iowa State College, Ames, Iowa	(1932) 1952
	Eschelman, Dr. Karl F[erdinand], 8 North Drive, Buffalo 16, New York	1949
	Evans, Mrs. H. A. J., 1444 Calhoun St., New Orleans 18, Louisiana ..	1956
	Evans, J[ohn] Harwood, 327 South Bluff St., Janesville, Wisconsin ..	1948
	Evans, Monica Ann, 1306 Oak, Evanston, Illinois	1955
	Evans, Mrs. Orry Rowley, 403 Marshall St., Syracuse 10, New York ..	1955
	Evans, Roger M., University of Alberta, Edmonton Box 83, Alberta, Canada	1956
	Evenden, Dr. Fred G[eorge], Jr., 1336 Fitch Way, Sacramento 25, California	1949
	Eyer, Lester E[mery], 515 College St., Alma, Michigan	1948
	Eynon, Alfred Ernest, 424 University Farm Place, Madison 5, Wisconsin	1934
	Eyre, John Alfred, 460 Gladstone Ave., Toronto 4, Ontario, Canada ..	1946
	Eyster, Dr. Marshall B[lackwell], Department of Biology, Box 545, Southwestern Louisiana Institute, Lafayette, Louisiana	1949
	Eyster, Philip L., 1023 West King St., York, Pennsylvania	1955

F	Farner, Dr. Donald S[ankey], Department of Zoology, The State College of Washington, Pullman, Washington (1941)	1957
	Farrar, Merritt C[alvin], 942 Bonita Drive, Winter Park, Florida . . .	1946
	Farrar, Richard B[artlett], Darien Road, Holland, New York	1957
	Farrel, Franklin, 3rd, Northrup Rd., Woodbridge, Connecticut . . .	1950
	Farrington, S[elwyn] Kip, Jr., Main St., East Hampton, Long Island, New York	1949
	Fautin, Dr. Reed Wingate, Department of Zoology and Physiology, University of Wyoming, Laramie, Wyoming	1938
	Fauvel, Bertram A., 263 McLeod St., Ottawa, Ontario, Canada	1948
	Faver, Mrs. William H[oward], Eastover, South Carolina	1951
	Feely, [Ranger] J[ames] M[ichael], P. O. Box 25, Mtubatuba, Zululand, South Africa	1955
	Fegel, Arthur C., Box 840, R. F. D. 1, Rahway, New Jersey	1943
	Feinberg, Ezra J[ohn], 41 West 72nd St., New York 23, New York . .	1951
	Feingold, Miss Rose, 4206 St. Charles Ave., New Orleans 15, Louisiana	1952
	Feinstein, Bernard, 506 A St. N. E., Washington 2, D. C.	1956
	Feldman, Albert Edward, 29 Fairview Ave., Kingston, New York . . .	1952
	Felkel, Lawrence Adelbert, Jr., Box 434, Guymon, Oklahoma	1956
	Fennell, Chester M[artin], 19239 Coffinbury Blvd., Fairview Park 26, Ohio	1948
	Ferguson, David Sowers, R. F. D., Box 53, Philipsburg, Pennsylvania	1937
	Ferguson, William Henry, 5907 Mason St., Omaha, Nebraska	1946
	Fernandez, Dra. Ramona, Museo Poey, Catedra "U," Escuela de Ciencias, Universidad de la Habana, Habana, Cuba	1950
	Fevold, Harry Richard, 221 S. 13th East., Salt Lake City, Utah	1955
	Ficken, Mrs. Robert W., 709 East State St., Ithaca, New York	1935
	Field, Lawrence H., 2005 Ridgeway, Colorado Springs, Colorado . . .	1956
	Filer, Ervin E., Little Sister Farms, St. David, Illinois	1950
	Fillebrown, Thomas Scott, Box 27, Woodstock, Vermont	1947
	Fink, Barbara A., 425 Cascadilla Hall, Cornell University, Ithaca, New York	1957
	Finlayson, Helen L. [Pease], 7 Harvard St., Springfield, Vermont . . .	1956
	Finley, Dr. John C., Meaford, Ontario, Canada	1953
	Fischer, Dr. Richard B., Department of Rural Education, Cornell University, Ithaca, New York	1947
	Fish, Dr. William R[alph], 608 A. Kearsarge St., China Lake, California	1951
F	Fisher, Dr. Harvey Irvin, Department of Zoology, Southern Illinois University, Carbondale, Illinois (1944)	1950
	Fisher, Walter Taylor, 949 Fisher Lane, Winnetka, Illinois	1932
	Fisler, George Frederick, Department of Zoology, University of California, Berkeley 4, California	1955
	Fitch, Charles M[arden], 1120 Cove Rd., Mamaroneck, New York . .	1954
EM	Fitch, Dr. Henry Sheldon, Natural History Reservation, University of Kansas, R. R. 3, Lawrence, Kansas (1946)	1953
	Fitzgerald, Dr. James L[ynn], 130 N. 14th St., Allentown, Pennsylvania	1952
	Flach, Major B[engt] [Eriksson], Flygvapnet (Royal Swedish Air Force) Stockholm 80, Sweden	1951
	Fleming, Dr. Robert Leland, Shanta Bhawan, Kathmandu, Nepal . .	1955

	Fleming, Mrs. Thomas, 1541 Lombardy Rd., Pasadena, California ..	1935
	Fluck, Dr. Paul Havens, 73 N. Union St., Lambertville, New Jersey ..	1948
	Foley, Edward J[ames], 5349 N. Bay Ridge Ave., Milwaukee 17, Wisconsin	1947
	Follett, W[ilbur] I[rrving], 3501 Broadway, Oakland 11, California ..	1946
	Fontenot, L. Austin, Jr., Ringrose Plantation, Opelousas, Louisiana ..	1953
	Forbes, Dr. Henry Stone, 71 Forest St., Milton 86, Massachusetts	1957
L	Forbes, Howard M., 87 Church St., Weston, Massachusetts	1953
	Forbus, Mrs. Ina B., c/o Watts Hospital, Durham, North Carolina ..	1954
	Ford, Norman Lee, Museum of Zoology, University of Michigan, Ann Arbor, Michigan	1956
	Ford, Thomas Robert, 3571 Olentangy River Rd., Columbus 14, Ohio	1955
	Ford, Winfred N[athan], Jr., Stamford, New York	1949
	Fordham, Stephen C[rane], Jr., Delmar Game Farm, Delmar, New York	1946
	Foree, Dr. Lynn, 379 30th St., Oakland 11, California	1952
	Foster, David Earle, 11 Maine Hall, Bowdoin College, Brunswick, Maine	1957
L	Foster, Francis A[pthorp], R. F. D., Box 31-A, Vineyard Haven, Massachusetts	1918
	Foster, Prof. G[eorge] W[illiam], Jr., 5109 Flambeau Rd., Madison 5, Wisconsin	1954
L	Foster, John Hawley, Wayne, Pennsylvania	1927
	Foster, Thomas [Henry], West Rd., Bennington, Vermont	1948
HL	Fowler, Henry W[eed], Academy of Natural Sciences, 19th St. and Parkway, Philadelphia, Pennsylvania	1898
	Fox, Adrian C[asper], 521 Benjamin Franklin Station, Washington, D. C.	1935
	Fox, Elmer Lennard, 1053 Gladmer Park, Regina, Saskatchewan, Canada	1956
	Fox, Jennie Ethel, Palisades, Rockland County, New York	1925
	Fox, Robert P., 311 Beale St., Wollaston 70, Massachusetts	1951
	Fox, Dr. Wade, Jr., Department of Anatomy, Louisiana State Univer- sity, School of Medicine, New Orleans, Louisiana	1947
	Frazier, Frank P[earsall], 424 Highland Ave., Upper Montclair, New Jersey	1951
	Fredrickson, Richard William, 203 N. Almond, Carbondale, Illinois	1947
	Free, George J[amison], 626 Sunset Rd., State College, Pennsylvania ..	1935
	Freeman, Frank Jerome, 2827 Montclair Dr., N. E., Albuquerque, New Mexico	1947
	French, Mrs. Anna Morton, 19 Olyphant Pl., Morristown, New Jersey	1946
L	French, Mena Vestal [Mrs. George Edward], Box 171, Wayland, Massa- chusetts	1923
	French, Norman Roger, 627 Tendoy Dr., Idaho Falls, Idaho	1953
L	Frey, Mrs. Edith Krieger, 814 3rd St., Jackson, Michigan	1923
	Freyburger, Dr. Walter Alfred, Jr., 934 Grant St., Kalamazoo, Michigan	1943
	Frieders, Rev. Fabian, O.S.B., St. Meinrad's Abbey, St. Meinrad, Indiana	1950
	Friedlander, Norman, 112 W. 44th St., New York, New York	1948
	Friedman, Ralph, 14 E. 75th St., New York, New York	1935

F	Friedmann, Dr. Herbert, Division of Birds, U. S. National Museum, Washington, D. C. (1921)	1929
	Fries, Waldemar H., Little Compton, Rhode Island	1955
	Frister, Carl P[hilip], 2956 A. N. 38th St., Milwaukee 10, Wisconsin	1950
	Frith, Rowley, 65 Acacia Ave., Ottawa, Ontario, Canada	1947
	Fritz, Edward C., 4144 Cochran Chapel Rd., Dallas 9, Texas	1956
	Froehlich, Mrs. David E., 229 MacArthur Blvd., Oakland, California	1953
	Frye, Ozro Earle, Jr., Game and Fresh Water Fish Commission, Tallahassee, Florida	1947
	Fugrman, Dr. John B[arclay], 5 Main St., Flemington, New Jersey	1950
	Fuller, W. A., Canadian Wildlife Service, P. O. Box 2357, Whitehorse, Yukon Territory, Canada	1950
	Funk, Richard Cullen, 316 Plum St., Fort Collins, Colorado	1957
F	Gabrielson, Dr. Ira N[oel], R. R. 1, P. O. Box 349, Oakton, Virginia (1912)	1938
	Gaillard, Stephen Lee, 9 Lee Place, Bronxville, New York	1941
	Gaines, Arthur, 40 Wall St., New York 5, New York	1952
	Gainey, Louis Franklin, Box 2519, Lantana, Florida	1950
	Gale, Kenneth M., 828 Adair Ave., Zanesville, Ohio	1956
	Galley, John E[dmond], 1610 W. Holloway Ave., Midland, Texas ..	1949
	Galloway, S/Sgt. Leo A[ldis], Blue Grass Trailer Park, 4309 Parker Ave., West Palm Beach, Florida	1951
	Gallup, Fred[erick] N[orman], 142 W. 6th Ave., Escondido, California	1948
	Galt, William L., 436 Walnut Ave., Aldan, Clifton Heights, Pennsylvania	1955
	Gambrill, Mrs. Richard V. N. [Edith B.], Vernon Manor, Peapack, New Jersey	1951
	Gamero, Antonio, 4207 ³ / ₄ Laurel Canyon Blvd., North Hollywood, California	1953
	Gammell, Ann M. [Mrs. Robert T.], Kenmare, North Dakota	1952
	Gammell, Dr. Robert T., Kenmare, North Dakota	1942
EM	Ganier, Albert F., 2112 Woodlawn Dr., Nashville 12, Tennessee (1917)	1934
	Gantz, R[obert] J. M., R. D. 2, Doylestown, Bucks County, Pennsylvania	1949
HL	Gardiner, Charles Barnes, 133 W. Main St., Norwalk, Ohio	1903
	Gardner, Dr. Leon L., 3129 Freeman St., San Diego 6, California	1957
	Gardner, Merriel M[aslin] [Mrs. I. C.], 9531 E. Stanhope Rd., Kensington, Maryland	1943
	Garlick, Gordon Mark, R. R. 1, Box 408, Lake Orion, Michigan ...	1953
	Garrett, [Mary] Lois, 1709 Chestnut St., Kenova, West Virginia	1949
	Garrey, Mrs. Walter E., 39 Orchard Ave., Waban 68, Massachusetts	1957
	Garrison, David L[loyd], Old Lexington Rd., Lincoln, Massachusetts	1949
	Garrity, Devin A[dair], 682 Forest Ave., Rye, New York	1947
	Garvan, Mrs. Francis P., 740 Park Ave., New York 21, New York	1948
	Gary, W[ilbur] Y[ocum], P. O. Box 1791, Jacksonville 1, Florida	1950
	Gashwiler, Jay S., U. S. Fish and Wildlife Service, Snell Hall, Oregon State College, Corvallis, Oregon	1939
	Gasperec, Samuel, Box 88, Homer, Alaska	1953
	Gates, Doris, Faculty Apts., Chadron, Nebraska	1952

	Gates, Frank Ward R[isdon], 156 Garfield Rd., West Hartford 7, Connecticut	1928
	Gates, John M., Cooperative Wildlife Res. Unit, Utah State Uni., Logan, Utah	1957
L	Gauntlett, Frederic John, 5802 Kirkside Dr., Chevy Chase 15, Maryland	1925
	Geale, B[everley] B., 109 Glenview Ave., Toronto, Ontario, Canada	1952
	Gee, John P., 6120 Carlisle Court, New Orleans 14, Louisiana	1957
	Geiger, Lewyn E[dward], P. O. Box 146, Weiborn, Florida	1957
	Gelatis, Mrs. Lee H. [Lillian R.], 234 S. Maple Ave., Apt. G-1, Oak Park, Illinois	1952
	Genelly, Dr. Richard E., Humboldt State College, Arcata, California	1952
	Gensch, Robert H[eary], 195 Clark Ave., Billings, Montana	1938
	George, Dr. John L[othar], Division of Conservation, Vassar College, Poughkeepsie, New York	1950
	George, William Gordon, 240 N. Bean Ave., Tucson, Arizona	1956
	Gerstell, Richard, 355 N. West End Ave., Lancaster, Pennsylvania ..	1939
	Ghiselin, Jon [Brewster], 1747 Princeton Ave., Salt Lake City 8, Utah	1954
	Gibbs, Harold N., A-71 Sowams Rd., Barrington, Rhode Island	1939
	Gibbs, Dr. Robert Henry, Jr., Woods Hole Oceanographic Institute, Woods Hole, Massachusetts	1947
	Gier, Dr. Herschel T[homas], Department of Zoology, Kansas State College, Manhattan, Kansas	1937
	Giesler, J[ohn] Calvin, 7206 S. E. Powell, Portland 6, Oregon	1950
	Gifford, Dr. Harold, 3636 Burt St., Omaha 3, Nebraska	1946
	Gift, Robert F[ranklin], 935 Washington Ave., Lewisburg, Pennsyl- vania	1950
	Gilbert, Albert Earl, 2231 North Menard Ave., Chicago 39, Illinois ..	1956
	Gilbert, Dr. Perry W[ebster], Zoology Department, Stimson Hall, Cornell University, Ithaca, New York	1939
	Gilchrist, Kennedy Wenger, 2711 Colfax Ave., Evanston, Illinois ...	1955
	Giles, Lester A[lsbra], Jr., American Humane Education Society, 180 Longwood Ave., Boston 15, Massachusetts	1953
	Giles, Norman H[enry], Jr., Osborn Botanical Laboratory, Yale Uni- versity, New Haven, Connecticut	1930
	Giles, William G., 22 Humewood Gardens, Toronto 10, Ontario, Canada	1954
	Gill, Geoffrey, 24 Overlook Dr., Huntington, Long Island, New York	1940
	Gillespie, Mrs. Harold S[halar] [Majorie K.], 655 Church St., Bound Brook, New Jersey	1951
EM	Gilliard, E[rnest] Thomas, American Museum of Natural History, 79th St. and Central Park West, New York 24, New York (1938)	1950
	Gilmore, William, 2820 Butte, Santa Clara, California	1956
	Ginés, Hno., Sociedad de Ciencias Nat. La Salle, Apartado 681, Caracas, Venezuela	1955
	Glasgow, Leslie L., Louisiana State University, School of Forestry, Baton Rouge, Louisiana	1952
	Glenn, Robert W[ycoff], 509 Orchard Ave., Avalon, Pittsburgh 2, Pennsylvania	1937
	Glenny, Fred H., 1148 Linden Ave., Akron 10, Ohio	1947
	Glick, Bruce, Box 185, State College, Mississippi	1948

	Glore, W[alter] S[cott], Jr., Danville, Kentucky	1952
	Glover, Dr. Fred A., 2211 Holmes Run Dr., Falls Church, Virginia ..	1945
	Gloyd, Dr. Howard K[ay], Chicago Academy of Sciences, 2001 N. Clark St., Chicago 14, Illinois	1939
	Gluck, S. Norris, 305 Beauregard St., Charleston, West Virginia	1955
F	Godfrey, W[illiam] Earl, National Museum of Canada, Ottawa, Ontario, Canada	(1942) 1955
	Goebel, Herman, 78-52 80th St., Brooklyn 27, New York	1947
	Goelet, Robert G., 546 Fifth Ave., New York 36, New York	1952
	Goelitz, Walter A[dolph], P. O. Box 58, Milford, Pennsylvania	1916
	Goethe, C. M., Anglo-National Bank Bldg., Seventh and J St., Sacra- mento 14, California	1947
	Goetz, Christian J[ohn], 3503 Middleton Ave., Cincinnati 20, Ohio ..	1929
	Goff, Milton R[eeder], 95 Landing Rd. N., Rochester 10, New York	1949
	Goldman, Luther Chase, Fish & Wildlife Service, Box 739, San Benito, Texas	1947
EM	Good, Rev. Albert I., 819 Quinby Ave., Wooster, Ohio	(1939) 1948
	Good, Dr. Ernest Eugene, Department of Zoology and Entomology, Ohio State University, Columbus 10, Ohio	1954
	Gooden, Sam[uel] K[napp], 120 Dean, Hot Springs, Arkansas	1951
	Goodlett, Mrs. Catherine Evans, 636 Skyview Dr., Nashville 6, Ten- nessee	1957
	Goodman, Jeanne Moore, Department of Biology, University of Red- lands, Redlands, California	1947
	Goodpasture, Katherine Anderson, [Mrs. Ernest W.], 9716 Elrod Road, Kensington, Maryland	1950
	Goodridge, Edwin T., Province Line Rd., Princeton, New Jersey	1946
L	Goodwill, E. V., U. S. Hydrographic Service, Department of Mines and Technical Surveys, Ottawa, Ontario, Canada	1942
L	Goodwin, Clive Edmund, 38 Walsh Ave., Weston, Ontario, Canada	1952
	Goodwin, Margaret S., Earnley, 38 Oakbourne Rd., West Chester, Pennsylvania	1942
	Goodwin, Robert E., 224 Bryant Ave., Ithaca, New York	1952
	Gordon, David C[hables], 158 Haley St., Watertown, New York	1951
	Gordon, Harry E[dgar], 307 Laburnum Crescent, Rochester 20, New York	1911
	Gordon, Malcolm S[tephen], Department of Zoology, University of Cambridge, Cambridge, England	1952
	Gordon, Seth E[dwin], 926 J St., Sacramento, California	1924
	Goslin, Charles R., 726 E. King St., Lancaster, Ohio	1936
	Gottsch, Werner H[enry], 8110 Cargill, Houston 15, Texas	1948
	Gould, Edwin, 310 Dinwiddie Hall, Department of Zoology, Tulane University, New Orleans, Louisiana	1954
	Gould, Patrick Jerry, 12137 Redberry, El Monte, California	1954
	Gow, John P., 13048 Sherbrooke Ave., Edmonton, Alberta, Canada ..	1955
	Graber, William J[ames], III, 695 Twentieth St., Beaumont, Texas ..	1951
	Grace, Lucile C., [Mrs. C. J.], Hilton's Rd., Slingerlands, New York ..	1944
	Graf, Dr. William, Department of Natural Sciences, San Jose State College, San Jose 14, California	1953
	Graff, George S., 830 Jefferson St., St. Charles, Missouri	1951

	Graham, Hatch, Jr., c/o U. S. Forest Service, Sawyers, California . . .	1950
	Graham, Hatch, Sr., 10300 Viretta Lane, Los Angeles 24, California . .	1947
	Graham, Dr. John Cooper, 80 Hanson Place, Brooklyn 17, New York	1949
	Grant, Dr. Adele Lewis, 6019 S. Overhill Dr., Los Angeles 43, Cali- fornia	1947
	Grant, Cleveland P[utnam], 245 Davis St., Mineral Point, Wisconsin	1924
	Grant, Robert H[arvey], 2415 Newkirk Ave., Brooklyn 26, New York	1943
	Gray, Gifford George, 2795 E. 16th Ave., Vancouver 12, British Co- lumbia, Canada	1955
	Grayce, Robert L[amb], 141 Main St., Rockport, Massachusetts	1947
	Greeley, Frederick, Illinois Natural History Survey, Urbana, Illinois	1937
	Green, Horace O., 86 Greenwood Ave., Greenwood, Massachusetts . .	1954
	Greene, Dr. David G[orham], 88 Ashland Avenue, Buffalo 22, New York	1954
EM	Greene, Earle R[osenbury], 418 S. Holt Ave., Los Angeles 48, Cali- fornia (1921)	1942
	Greene, Philip S., 502 Claremont Ave., Kenmore 23, New York	1955
L	Greenwalt, Crawford H., Greenville, Delaware	1956
	Greenhalgh, Clifton M., P. O. Box 326, Murray, Utah	1944
	Greenig, Mrs. Patricia F[aye], 2 South Rd., Harrison, New York . . .	1957
HL	Greenough, Henry V[oss], "Greenhold Farm," Maple St., Carlisle, Massachusetts	1901
	Greenwalt, Ernest J[agger], National Elk Refuge, Jackson, Wyoming	1932
	Greenwalt, Leon, 911 S. Seventh St., Goshen, Indiana	1949
F	Greenway, James Cowan, Jr., Museum of Comparative Zoology, Cam- bridge 38, Massachusetts (1930)	1948
	Greer, Theodore R., Enchanted Hill Garden, Joy, Illinois	1957
	Gregg, Peter Alan, Box 100, Grand Falls, Newfoundland, Canada . .	1954
EM	Gregory, Stephen S[trong], Box N, Winnetka, Illinois (1906)	1934
	Gregory, Robert S., R. R. 1, Mooresville, Indiana	1947
	Gregory, Tappan, 105 S. La Salle St., Chicago, Illinois	1931
	Griffee, W. E., 510 Yeon Bldg., Portland 4, Oregon	1944
EM	Griffin, Dr. Donald R[edfield], Biological Laboratories, Harvard Uni- versity, Cambridge 38, Massachusetts (1936)	1947
EM	Griffin, William W[elcome], 3232 Pine Ridge Rd., N. E., Atlanta, Georgia (1946)	1957
EM	Grimes, Samuel Andrew, 4627 Peachtree Circle E., Jacksonville, Florida (1925)	1951
	Grimm, Forrest C[raver], 514 S. Willis St., Champaign, Illinois	1951
	Grimm, William C., Blueberry Park, Rt. 3, Greenville, South Carolina	1943
	Grinnell, Hilda Wood [Mrs. Joseph], 3016 Benvenue Ave., Berkeley 5, California	1931
L	Grinnell, Lawrence I[rving], 710 Triphammer Rd., Ithaca, New York	1938
F	Griscom, Ludlow, 21 Fayerweather St., Cambridge 38, Massachusetts (1908)	1925
	Griswold, John Augustus, Jr., The Zoological Society, 34th St. and Gerard Ave., Philadelphia 4, Pennsylvania	1933
	Groesbeck, William M[aynard], 376 Seneca Rd., Hornell, New York	1949
EM	Gromme, Owen J., Milwaukee Public Museum, Milwaukee, Wisconsin (1924)	1939

F	Gross, Dr. Alfred Otto, 11 Boody St., Brunswick, Maine (1907)	1930
	Groth, William L., Jr., 04042030, "A" Battery, 90th F. A. Bn., A.P.O. 25, San Francisco, California	1952
	Groves, I. Norris, 1216 Washington, Beardstown, Illinois	1955
	Groves, Dr. James Walton, Highfield Crescent, Britannia Heights P. O., Ottawa, Ontario, Canada	1952
	Grow, Raymond J., 513 West 5th Ave., Apt. 7, Gary, Indiana	1953
	Grube, George E[dward], Science Department, State Teachers Col- lege, Lock Haven, Pennsylvania	1943
	Gruenewald, Robert F[ranklin], Box 184, Clifton, Illinois	1957
	Gudmundsson, Dr. Finnur, Natturugripasafnid (Museum of Natural History), P. O. Box 532, Reykjavik, Iceland	1949
L	Guernsey, Raymond G[ano], Eden Terrace, Poughkeepsie, New York	1928
	Guillaudeu, Dr. Robert L[ee], 5806 Dean Dr., Falls Church, Virginia	1956
EM	Gullion, Gordon W[right], Box 337, Austin, Nevada (1946)	1953
	Gumbart, William B., 205 Church St., New Haven 9, Connecticut ..	1948
LEM	Gunn, W[illiam] W[alker] H[amilton], 178 Glenview Ave., Toronto 12, Ontario, Canada (1935)	1951
	Gunter, Dr. Gordon, Gulf Coast Research Laboratory, Ocean Springs, Mississippi	1948
	Guthrie, Dr. Donald, Robert Packer Hospital, Sayre, Pennsylvania ..	1930
	Guthrie, Henry B., 169 East 70th St., New York 21, New York	1953
	Haberyan, Dr. H. D., 13 Poplar Circle, Gulfport, Mississippi	1956
	Hackman, C[harles] Douglas, Lilac Lane, Fullerton, Maryland	1953
	Haftorn, Svein, Library of Det Kongelige Norske, Videnskabers Sels- kab, Trondheim, Norway	1954
	Haga, Ryoichi, No. 25 Odori, Sapporo, Hokkaido, Japan	1954
	Hagar, Donald C[hisholm], Jr., Ranger Station, Salyer, California ..	1954
	Hagar, Mrs. Jack [John David], Rockport, Texas	1937
EM	Hagar, Joseph A[rchibald], Marshfield Hills, Massachusetts .. (1935)	1939
	Hagenstein, Walter M., Medina, Washington	1946
	Hague, Dr. Florence S[ander], Sweet Briar College, Sweet Briar, Vir- ginia	1930
	Hailman, Jack Parker, 4401 Gladwyne Dr., Bethesda 14, Maryland	1955
	Haines, Bertram W[illiams], Rt. 2, Westminster, Maryland	1954
	Haines, Robert L[ee], 54 E. Main St., Morristown, New Jersey	1924
	Hake, Theodore R., 1553 Wayne Ave., York, Pennsylvania	1952
	Halberg, Mrs. Henry N., 136 Arborway, Jamaica Plain 30, Massa- chusetts	1947
	Hale, James B[all], 405 Washburn Place, Madison 3, Wisconsin	1955
	Hall, Edward M[cMurtry], 7620 S. College Ave., Whittier, California	1947
	Hall, Dr. E[ugene] Raymond, Museum of Natural History, University of Kansas, Lawrence, Kansas	1938
	Hall, Fred T., Buffalo Museum of Science, Humboldt Park, Buffalo 11, New York	1939
	Hall, George A[rthur], Department of Chemistry, West Virginia Uni- versity, Morgantown, West Virginia	1949
L	Hall, Willis, 1111 Douglas Ave., Yankton, South Dakota	1948
	Haller, Mrs. C. J. [Margaret], 83 East Main St., Avon, New York ..	1955
	Halliday, Hugh M., 35 Don River Blvd., Willowdale, Ontario, Canada	1952

	Hallman, R[oy] C[line], P. O. Box 37, St. Andrew Station, Panama City, Florida	1928
	Halloran, Arthur F[ranklin], Wichita Refuge, Cache, Oklahoma	1949
L	Hamann, Carl F[erdinand], Maple Lane, Aurora, Ohio	1951
EM	Hamerstrom, Dr. F[rederick] N[athan], Jr., R. F. D., Plainfield, Wisconsin	(1939) 1941
	Hames, Mrs. Frances T., 1230 von Phister St., Key West, Florida ...	1954
	Hamilton, Charles W., 2639 Fenwood, Houston 5, Texas	1947
	Hamilton, G[olden] Dale, 2550 Murray St., Shreveport 51, Louisiana	1949
	Hamilton, Mrs. R. E. [Anne P.], 704 Greenwood Dr., Dalton, Georgia	1952
	Hamilton, Terrell Hunter, Biological Laboratories, 16 Divinity Ave., Cambridge 38, Massachusetts	1953
	Hamilton, Miss Viola, 110 Sawyer, Denton, Texas	1957
	Hamilton, Dr. W[illiam] J[ohn], Jr., Department of Conservation, Cornell University, Ithaca, New York	1924
	Hamilton, William J., III, Museum Vertebrate Zoology, University of California, Berkeley 4, California	1951
	Hammond, Merrill C[lyde], Lower Souris Refuge, Upham, North Dakota	1937
	Hammond, Dr. Roland, 41 Boylston Ave., Providence 6, Rhode Island	1924
	Hammond, Ross E., 2210 25th St., Lubbock, Texas	1956
	Hampe, Irving Edward, 5559 Ashbourne Rd., Baltimore 27, Maryland	1933
	Hamrum, Charles Lowell, Department of Biology, Gustavus Adolphus College, St. Peter, Minnesota	1948
	Hancock, Douglas, 285 Durie Ave., Closter, New Jersey	1954
	Hancock, James W., Rt., 1, Madisonville, Kentucky	1954
L	Hand, Ralph L[evi], 415 West Central, Missoula, Montana	1929
	Handley, Dr. Charles Overton, Jr., U. S. National Museum, Washington 25, D. C.	1941
EM	Handley, Charles Overton, Sr., 6571 Roosevelt Ave., Charleston, West Virginia	(1916) 1948
	Handley, John McNeel, 6571 Roosevelt Ave., Charleston, West Virginia	1947
	Hanlon, Robert Wm., Department of Biology, St. Augustine's College, Nassau, Bahamas	1951
EM	Hann, Dr. Harry W[ilbur], 1127 Church St., Ann Arbor, Michigan	(1930) 1942
	Hanna, Dr. G. Dallas, California Academy of Sciences, Golden Gate Park, San Francisco 18, California	1930
	Hanna, Mrs. Hilery E[mmett], 901 W. Cedar, El Dorado, Arkansas	1954
	Hanna, Wilson Creal, 712 N. Eight, Colton, California	1919
	Hansen, Charles G., Box 113, Burns, Oregon	1955
EM	Hanson, Harold C[arsten], Illinois Natural History Survey, Resources Bldg., Urbana 11, Illinois	(1937) 1952
	Hanson, Rossalius C[hrist], Mrs. 5829 Drew Ave. S., Edina 10, Minnesota	1950
	Hanson, Thomas [Lyman], 302 Valley View Apts., Allentown, Pennsylvania	1949
	Hanson, Dr. William R[oderick], Illinois Natural History Survey, Urbana, Illinois	1947
	Harbeson, Ben, R. R. 4, Paris, Kentucky	1948

L	Harding, Magnus S., Box 575, Madison 1, Wisconsin	1954
	Harding, Mrs. Margaret R[ose], 526 S. Van Ness Ave., Santa Ana, California	1952
	Hardy, Frederick C., 508 Nicholas Ave., Somerset, Kentucky	1949
	Hardy, John William, Museum of Natural History, University of Kansas, Lawrence, Kansas	1953
	Hardy, Dr. Ross, Department of Biological Sciences, Long Beach State College, Long Beach 15, California	1938
	Harford, Dr. Henry M[inor], 1400 Vermont St., Quincy, Illinois	1939
	Hargrave, Lyndon Lane, Box 1979, Globe, Arizona	1950
L	Harley, James Bickel, R. R. 1, Pottstown, Pennsylvania	1946
	Harmon, Raymond R., Sr., P. O. Box 217, Byron, Illinois	1954
HLEM	Harper, Dr. Francis, 115 Ridgway St., Mt. Holly, New Jersey .. (1907)	1917
	Harrington, H. Warren, Jr., 19 Holborn St., Milton 86, Massachusetts	1956
	Harrington, Dr. Paul, 813 Bathurst St., Toronto, Ontario, Canada ..	1922
	Harrington, Winthrop Wendell, Jr., 1900 Massachusetts Avenue, Lexington 73, Massachusetts	1957
	Harris, Lucien, Jr., 61 Clarendon Ave., Avondale Estates, Georgia	1930
	Harris, Robert D., Canadian Wildlife Service, Northern Affairs, Room 433 Post Office Building, Edmonton, Ontario, Canada	1952
	Harris, S. Arthur, 2318 Aldrich Ave., So., Minneapolis, Minnesota	1954
	Harris, Dr. Stuart Kimball, R. F. D. 4, Georgetown, Massachusetts ..	1940
	Harris, William Geo[orge] F[owle], 147 Hillside St., Milton 86, Massa- chusetts	1933
L	Harrison, Ed N[ewton], 1134 Glendon Ave., Los Angeles 27, California	1934
	Harrison, Hal H., 1102 Highland St., Tarentum, Pennsylvania	1944
	Harrower, Dr. D[avid] E[lson], Newton, Connecticut	1933
	Hart, John H., 2700 Verona Rd., Kansas City 15, Missouri	1957
	Hart, W[illiam] S[tephen], 62 Forden Crescent, Westmount 6, P.Q., Canada	1926
	Harte, Ken, 30 Brunswick Ave., Troy, New York	1952
EM	Hartman, Dr. Frank A[lexander], Hamilton Hall, Ohio State Univer- sity, Columbus, Ohio	(1941) 1957
	Hartshorne, Charles, 2075 Ridgwood Dr., N. E., Atlanta 7, Georgia	1951
L	Hartshorne, James Mott, Fernow Hall, Cornell University, Ithaca, New York	1946
	Harwell, Charles Albert, 2630 Hilgard Ave., Berkeley, California	1943
	Hasek, Dr. Vaclav Ondrej, 210 Granby Bldg., Cedar Rapids, Iowa ...	1955
	Haskell, Mrs. Lester W., 231 E. Creston Ave., Des Moines 15, Iowa ..	1957
	Hatch, Miss [Clara] Grenville, 3127 Alike Ave., Honolulu 17, Hawaii	1950
	Hath, Earl Herbert, 2109 Briar Gate Lane, Kirkwood 22, Missouri ..	1952
	Hatton, Mrs. Louise M., 200 Calera Canyon Rd., Salinas, California ..	1956
HL	Havemeyer, H[enry] O[sborne], Mahwah, New Jersey	1893
	Hawbecker, Albert C., Fresno State College, Fresno, California	1947
	Hawkins, Mrs. Agnes, Rt. 4, Box 752, Phoenix, Arizona	1954
	Hawkins, L[eslie] G., P. O. Box 1663, Los Alamos, New Mexico	1947
	Hawksley, Dr. Oscar, Central Missouri State College, Warrensburg, Missouri	1943
	Hayman, Robert G[ene], R. F. D. 1, Carey, Ohio	1951
	Hayne, Dr. Don W[illiam], Institute for Fisheries Research, Museum Annex, University of Michigan, Ann Arbor, Michigan	1950

	Haynsworth, W[illiam] F[rancis] B[aker], Box 100, Route 3, Sumter, South Carolina	1950
	Hays, Helen, 516 Hudson St., New York, New York	1954
	Healy, Joseph F[rancis], 3520 N. Paulina St., Chicago 13, Illinois	1950
	Heard, Miss Bessie, 315 College, McKinney, Texas	1955
EM	Hebard, Frederick V[anuxem], 1500 Walnut St. Bldg., Philadelphia, Pennsylvania	(1930) 1951
	Hebditch, G[erald] A[ubrey], M.B.O.U., 92 Rydes Hill Road, Guild- ford, Surrey, England	1949
	Heckler, S. B., 1207 No. 7th St., St. Louis 6, Missouri	1948
	Heckscher, Stevens, 47 Cross St., Belmont 78, Massachusetts	1952
	Hedges, Harold C[hables], R. R. 2, Quivira Lake, Kansas City 3, Kansas	1946
	Hefley, Harold M., Panhandle A. and M. College, Goodwill, Oklahoma	1947
	Heilborn, [Klas] Axel, 1020 Creekside Dr., Niagara Falls, New York	1949
	Heimerdinger, Miss Mary A., Department of Biology, Wiltonberg Col- lege, Springfield, Ohio	1953
	Heiser, Joseph M[athew], Jr., 1724 Kipling St., Houston 6, Texas ..	1939
	Helbert, Dr. Hollen G[arber], 338 Monticello Ave., Harrisonburg, Virginia	1954
L	Helleiner, Frederick M., Box 14, Swastika, Ontario, Canada	1947
	Helmer, Mrs. John H., 847 Ridge Ave., Evanston, Illinois	1954
	Helms, Carl W., Biological Laboratories, Harvard University, 16 Di- vinity Ave., Cambridge, Massachusetts	1952
	Hemp, O. C., 231 Churchville Ave., Staunton, Virginia	1954
	Hemphill, Dr. Donald Vincent, Pacific Union College, Angwin, Cali- fornia	1957
	Henders, Stanley M., P. O. Box 421, Calgary, Alberta, Canada	1955
	Henderson, Mrs. Alexander, 337 Aycrigg Ave., Passaic, New Jersey ..	1946
	Henderson, Archibald Douglas, R. R. 1, Dunstable, Alberta, Canada	1949
	Henderson, Mrs. William L., Gibson Island, Maryland	1953
	Hendricks, G[eorge] Bartlett, Berkshire Museum, Pittsfield, Massa- chusetts	1935
	Hendricks, Gene Thompson [Mrs. Philip], 1839 Wyoming Ave., Billings, Montana	1947
	Hendrickson, Dr. George O[scar], Department of Zoology and Ento- mology, Science Hall, Iowa State College, Ames, Iowa	1943
	Henney, Mrs. Nella B[raddy], 111 Fifth St., Garden City, New York	1950
L	Henningsen, Lillian [Mrs. Harold P.], 124 Cambridge Way, Piedmont 11, California	1953
	Henry, Cordia J[ohn], Seney National Wildlife Refuge, Seney, Michi- gan	1934
	Hensley, Jack, Department of Zoology, University of Arizona, Tucson, Arizona	1957
	Hensley, M[arvin] Max, Department of Zoology, Michigan State Uni- versity, East Lansing, Michigan	1949
	Herbert, Kathleen Green [Skelton], Liston Front Range Lighthouse, R. R. 2, Middletown, Delaware	1949
	Herman, Dr. Carlton M[artin], Patuxent Research Refuge, Laurel, Maryland	1951
	Herndon, Dr. Lee R., 1533 Burgie Place, Elizabethton, Tennessee ..	1946

EM	Hersey, F[rank] Seymour, 435 Bay Road, Easton, Massachusetts (1911)	1916
	Herz, Josephine D. [Mrs. M. E.], Rt. 4, Excelsior, Minnesota	1957
	Hewitt, Dr. Oliver H[arold], Department of Conservation, Fernow Hall, Cornell University, Ithaca, New York	1944
	Heywood, Philip B., 332 Main St., Worcester 8, Massachusetts	1947
L	Hibbert, Mrs. Harold, Bettws-Y-Coed, Yarrow St., Bryn Mawr, Penn- sylvania	1926
F	Hickey, Dr. Joseph J[ames], 424 University Farm Place, Madison 5, Wisconsin	(1936) 1954
EM	Hickey, Margaret Brooks [Mrs. J. J.], 5517 Dorsett Drive, Madison 5, Wisconsin	(1933) 1952
L	Hicks, Thomas W[illiam], 517 E. Sunshine St., Springfield 4, Missouri	1948
	Higgins, Norman Calvin, 516 Missouri, Warrensburg, Missouri	1956
	Highley, Seward T[rainer], 43 Powder House Rd., Medford 55, Massa- chusetts	1953
	Hight, Gordon Lee, Jr., Box 1626, Rome, Georgia	1953
L	Hildreth, Miss Mary A., Park St., Haverhill, New Hampshire	1947
L	Hill, Julian W[erner], 1106 Greenhill Ave., Wilmington, Delaware ..	1934
	Hill, Miss Margaret Louise, 4200 Shoal Creek, Austin 5, Texas	1956
	Hill, Dr. Norman P[ierce], 2308 Highland Ave., Fall River, Massa- chusetts	1943
	Hill, Robert B., 3184 Woodlawn, Shreveport, Louisiana	1957
	Hill, William P., "Millrace," Peterborough, New Hampshire	1955
	Hill, Dr. W. W., Department of Anthropology, University of New Mexico, Albuquerque, New Mexico	1951
L	Hinchman, Richard M[ay], Boston Road, Groton, Massachusetts ..	1930
	Hinds, Frank J., Department of Biology, Western Michigan College, Kalamazoo, Michigan	1935
	Hines, Joseph A[ustin], 30-12 49th St., Long Island City 3, New York	1947
	Hinshaw, Thomas D[oane], 1827 San Juan Ave., Berkeley 7, California	1930
	Hipple, Byron T[homas], Jr., 114 Chestnut St., Albany 10, New York	1949
	Hirshberg, Eliot P[aul], 72 Mamaroneck Rd., Scarsdale, New York ..	1952
	Hitchcock, Dr. Harold B., Department of Biology, Middlebury College, Middlebury, Vermont	1939
LF	Hochbaum, H[ans] Albert, Delta, Manitoba, Canada	(1942) 1957
	Hock, Dr. Raymond J., Arctic Aeromedical Lab., A.P.O. 731, Seattle, Washington	1946
	Hodge, Dr. George E[splin], 53 Belvedere Circle, Westmount, Mon- treal, Canada	1951
	Hodges, [Jim] James, 1514 East High St., Davenport, Iowa	1946
	Hoffman, Mary C. [Mrs. G. R.], 247 St. James St., Apt. 8, London, Ontario, Canada	1948
L	Hoffman, Dr. Lucas, Tour du Valat, Par le Sambuc, R.D.Rh., France	1955
	Hoffmeister, Linus C[hristian], 504 W. Ripa, Lemay 23, Missouri ..	1939
	Hofslund, Dr. Pershing B[ernard], Biology Department, Duluth Branch, University of Minnesota, Duluth, Minnesota	1948
	Hoiberg, Dr. Arnold John, Research Laboratories, The Flintkote Com- pany, Whippany, New Jersey	1948
	Holcomb, Miss Carrie, 1008 Missouri, Houston 6, Texas	1956
	Holcombe, Alexander H., Jr., 1330 Young's Ford Rd., Gladwyne, Penn- sylvania	1949

	Holden, Mrs. David J., 804 13th Ave., Brookings, South Dakota	1953
	Holden, Fenn M[itche]ll, Box 428, Grayling, Michigan	1952
	Holden, Raymond P., Whippoorwill Hill, North Newport, New Hampshire	1956
	Holdom, Canon M[artin] W[ebber], Lindsay Cottage, Crescent Beach, British Columbia, Canada	1950
	Holgerson, Dr. Holger, Stavanger Museum, Stavanger, Norway	1949
	Holland, Harold May, Box 615, Galesburg, Illinois	1910
	Holman, J. Alan, Department of Biology, University of Florida, Gainesville, Florida	1957
	Holman, John Paulison, Fairfield, Connecticut	1922
	Holman, Robert C., 242 Green St., Mifflinburg, Pennsylvania	1947
	Holmberg, Miss Severena C[aroline], 4827 Woodlawn Blvd., Minneapolis 17, Minnesota	1949
	Holmes, Richard T[urner], 132 Junipero, San Gabriel, California . .	1956
EM	Holt, Ernest G[olson], c/o Miss Olivia Holt, 555 South Lawrence St., Montgomery 5, Alabama (1911)	1925
	Hood, William Richard, 300 N. W. 19th, Oklahoma City, Oklahoma	1952
	Hoover, Dr. Kenneth B[ert], Grantham, Pennsylvania	1953
	Hopkins, Milton N[ewton], Jr., 202 W. Roanoke Dr., Fitzgerald, Georgia	1950
	Horse, R[ichard] E[dgar], 320 Eaglehead Rd., East Rochester, New York	1919
	Horton, Jack Ogilvie, Jr., 622 Laughlin Hall, Princeton University, Princeton, New Jersey	1957
L	Hough, Fred, Accord 1, New York	1955
	Hough, Prof. John N[ewbold], 1515 Mariposa, Boulder, Colorado . .	1946
L	Houston, C[larence] Stuart, Box 279, Yorkton, Saskatchewan, Canada	1943
	Hovingh, Peter, Jr., Allendale, Michigan	1955
LF	Howard, Dr. Hildegard [Mrs. H. Anson Wylde], Los Angeles County Museum, Exposition Park, Los Angeles 7, California (1928)	1946
	Howard, Julian A[ndrew], Wichita Mountains Wildlife Refuge, Cache, Oklahoma	1954
	Howe, Dr. H[enry] Branch, Jr., Department of Biology, Wake Forest College, Winston-Salem, North Carolina	1943
LEM	Howell, A[lfred] Brazier, Alna, Maine (1909)	1922
EM	Howell, Dr. Joseph C[orwin], Zoology and Entomology Department, University of Tennessee, Knoxville, Tennessee (1928)	1949
	Howell, Thelma, Wesleyan College, Macon, Georgia	1947
EM	Howell, Dr. Thomas R[aymond], Department of Zoology, University of California, Los Angeles 24, California (1948)	1953
	Howes, Paul Griswold, The Bruce Museum, Bruce Park, Greenwich, Connecticut	1951
	Howsley, L[ucien] R[eeder], 1304 Aetna St., Anaheim, California . .	1950
	Hoy, Nelson D., 500 Sharon Ave., Sharon Hill, Pennsylvania	1943
L	Hoyt, Dr. Sally F. [Mrs. J. Southgate Y.], Laboratory of Ornithology, Cornell University, Ithaca, New York	1940
	Hubbs, Dr. Carl L., Scripps Institution of Oceanography, La Jolla, California	1947
	Hubert, Philip A[rthur], Jr., P. O. Box 618, Bellport, Long Island, New York	1949

EM	Hudson, Dr. George E[lford], 303 Side St., Pullman, Washington (1928)	1948
	Huenecke, Howard S., Sand Lake National Wildlife Refuge, Columbia, South Dakota	1952
EM	Huey, Laurence M., Natural History Museum, Balboa Park, San Diego, California	(1920) 1932
	Huff, Prof. N. L., 1219 7th St. S. E., Minneapolis 14, Minnesota	1924
	Hughes, Dr. S[helby] B[ond], 521 E. Jefferson St., Clinton, Missouri	1949
	Hughes, Stuart W., 156 Orchard St., Newark 2, New Jersey	1955
	Hughes, Wallace, 305 Mayo, Tallahassee, Florida	1947
L	Hughes, William M., 8755 Southwest Marine Drive, Vancouver 14, British Columbia, Canada	1953
	Hull, Mrs. Celina C., Box 32, Terrace, British Columbia, Canada ...	1957
	Humphrey, James [Rae], 3010 Lowell Blvd., Denver 11, Colorado ..	1949
	Humphrey, Dr. Philip Strong, Peabody Museum of Natural History, Yale University, New Haven 11, Connecticut	1947
	Hundley, Mrs. Margaret Haskell, P. O. Box 158, Stonington, Maine	1956
L	Hunnewell, Miss Louisa, 848 Washington St., Wellesley, Massachusetts	1936
	Hunt, Dr. Gerald Marshall, 3911 Alicia Dr., San Diego 7, California	1952
	Hunt, Miss Helen C[ummings], Washington, Connecticut	1928
	Hunt, L[awrence] Barrie, 203 South 16th St., Richmond, Indiana ..	1954
	Hunt, Richard Allen, 318 West Lake Street, Horicon, Wisconsin ...	1952
	Hunter, Isaac R., Route 3, Dowagiac, Michigan	1955
	Hunter, John, R. R. 2, Saskatoon, Saskatchewan, Canada	1954
	Huntington, Dr. Charles E[llsworth], Department of Biology, Bowdoin College, Brunswick, Maine	1949
	Hurlbutt, Miss Catherine A., 1910 So. Marion St., Denver 10, Colorado	1947
	Hurley, John Beatty, 401 S. 17th Ave., Yakima, Washington	1946
	Hurlock, Miss Phyllis L., R. D. 1, Coatesville, Pennsylvania	1957
	Hurrie, David, Apt. 8C, Devonshire Apartments, Brockville, Ontario, Canada	1952
	Hussey, Miss Lois J[ackson], 205 East 72nd St., New York 21, New York	1952
	Hutchinson, Arthur E[mlen], 2640 Glendessary Lane, Santa Barbara, California	1940
	Hutchinson, Elverta G[raves], 1313 David Rd., Loveland, Ohio	1951
	Hutt, Capt. Maurice B[ateman], 16 Block A, Garrison, St. Michael, Barbados, British West Indies	1957
L	Huyler, Coulter D[unham], Dewees Island via Charleston, South Carolina	1928
	Hyde, Dr. A. Sidney, Western State College of Colorado, Division of Natural Science and Mathematics, Gunnison, Colorado	1922
	Ibarra, Jorge A., Museo Nacional de Historia Natural, Guatemala City, Guatemala, C. A.	1957
	Imhof, Thomas A[nthony], 307 38 St., Fairfield, Alabama	1946
	Ingle, Mrs. Gertrude [Mussell], Miller Place, Long Island, New York	1950
	Ingles, Dr. Lloyd Glenn, Fresno State College, Fresno, California ...	1947
	Irving, Mrs. William Gary, Van Houten Fields, West Nyack, New York	1947
	Isaac, Donald E., Department of Zoology, University of California, Berkeley 4, California	1954

	Isely, Mrs. Ruth Dillon, 2301 Shoal Creek, Austin 21, Texas	1956
	Isleib, Peter Malcolm, R. D. 2, East Hampton, Connecticut	1957
	Ivor, [Hance] Roy, R. R. 1, Erindale, Ontario, Canada	1947
	Jacisin, Robert Joseph, 1331 Beverly Rd., Port Vue, McKeesport, Pennsylvania	1955
	Jackson, Prof. C[icero] F[loyd], Department of Zoology, University of New Hampshire, Durham, New Hampshire	1936
HL	Jackson, Dr. Hartley H[arrard] T[hompson], Room 61, U. S. National Museum, Washington 25, D. C.	1910
	Jackson, William Bruce, Department of Biology, Bowling Green State University, Bowling Green, Ohio	1951
	Jacobson, Dr. Malcolm Arthur, 13 W. 36th St., New York 19, New York	1947
	Jahn, Frances Floed [Mrs. Theodore], 10241 Chrysanthemum Lane, Los Angeles 24, California	1947
	James, Elden, Okanagan Academy, Rutland, British Columbia, Canada	1957
	James, Frances [Crews], [Mrs. Douglas], Department of Zoology, Uni- versity of Arkansas, Fayetteville, Arkansas	1953
	James, William Stuart, P. O. Box 302, Chatham, Virginia	1953
	Janssen, Robert B., 1817 W. 59th St., Minneapolis 19, Minnesota	1949
	Janvrin, Dr. E[dmund] R[andolph] P[easlee], 38 East 85th St., New York 28, New York	1919
	Jaquith, Barbara E[lizabeth] [Mrs. L. Everett], Terra Cotta, Ontario, Canada	1940
EM	Jaques, F[rancis] L[ee], 10 E. Oaks Rd., North Oaks Farm, St. Paul 13, Minnesota (1924)	1934
	Jehl, Joseph R[eiber], Jr., 385 Grove St., Clifton, New Jersey	1952
	Jenkins, James H[obart], School of Forestry, University of Georgia, Athens, Georgia	1941
	Jenkins, Lloyd [Smith], Davis Hill Rd., Paxton, Massachusetts	1932
	Jenks, Randolph, 2146 E. 4th St., Tucson, Arizona	1928
	Jennings, Mrs. B. Brewster, Box 666 Glen Head, Long Island, New York	1957
	Jennings, William S[elden], 1406 Crestwood Rd., Austin, Texas	1949
	Jensen, Karl F., 9 "D" Street, Niagara Falls, New York	1957
L	Jeter, Horace Hearne, 3205½ Fairfield Avenue, Shreveport 55, Lou- isiana	1946
	Johnsgard, Paul A., Department of Conservation, Cornell University, Ithaca, New York	1957
L	Johnson, Charles Alfred, c/o Colorado Museum of Natural History, Denver, Colorado	1927
	Johnson, Daniel P[aige], Cape Cod Council, Inc., 147 Winter St., Hyannis, Massachusetts	1951
	Johnson, Harris E[lmer], 440 Jackson Ave. Ext., Warren, Pennsylvania	1949
	Johnson, Herbert, Box 202, Howard Beach Station, Jamaica 14, New York	1956
	Johnson, John, Homespun Acres, R. F. D. 2, North Bennington, Ver- mont	1956
	Johnson, John C[hristopher], Jr., Biology Department, Kansas State Teachers College, Pittsburg, Kansas	1953
	Johnson, John O., 112 Seventh St., S. E., Watertown, South Dakota . .	1952

	Johnson, Ned Keith, Museum of Vertebrate Zoology, Berkeley 4, California	1951
	Johnson, Oscar Walter, 122 Audubon Way, Pullman, Washington ..	1957
	Johnson, Perry F[rank], 670 Bell Ave., Elyria, Ohio	1937
	Johnson, Raymond Edgar, Lands and Surveys Department, Port of Spain, 16 Abion Road, Trinidad, British West Indies	1945
	Johnson, Raymond Roy, Rt. 2, Box 269, Glendale, Arizona	1955
EM	Johnson, Dr. R[obert] A[nthony], R. D. 2, Gosport, Indiana .. (1930)	1946
	Johnston, Allen G., 2356 Park Ave., Apt. 18, Cincinnati 6, Ohio	1956
	Johnston, Mrs. Bette J[lane], 191 North Rose St., Mt. Clemens, Michigan	1955
EM	Johnston, Dr. David Ware, Department of Biology, Mercer University, Macon, Georgia	1957
	Johnston, Irma K., Box 206, Huntington, New York	1949
	Johnston, Dr. Richard F[ourness], Museum of Natural History, University of Kansas, Lawrence, Kansas	1951
L	Jones, Duvall A[lbert], 8227 Philadelphia Rd., Baltimore 6, Maryland	1952
	Jones, Mrs. Ethel D., 859 Linden Ave., Shreveport, Louisiana	1954
	Jones, Dr. Harold Charles, 2160 Stewart Ave. S. W., Atlanta 15, Georgia	1946
	Jones, John C[ourts], 5810 Namakagan Rd., Washington 16, D. C.	1930
	Jones, S[olomon] Paul, 509 West Ave., North, Waukesha, Wisconsin	1920
	Jones, Warren, 14511 SE 42nd Place, Bellevue, Washington	1957
L	Joost, Dr. Arthur Martin, Jr., Bucksport, Maine	1942
	Jopson, Dr. Harry G[orgas] M[ichener], Bridgewater College, Bridgewater, Virginia	1949
	Jorae, Irene F., Central Michigan College of Education, Mt. Pleasant, Michigan	1947
	Joslyn, Joy E., 1306 Hayes Ave., Racine, Wisconsin	1955
	Joyner, J[ohn] W[illiam] E[dwin], 1504 Lindy Ave., Rocky Mount, North Carolina	1947
	Jubon, John M[athew], P. O. Box 16, East Millstone, New Jersey	1952
	Judd, Robert S., 75 Old Farm Rd., Hamden 14, Connecticut	1948
	Jung, Clarence S[chrom], 6383 N. Port Washington Rd., Milwaukee 17, Wisconsin	1921
	Jurica, Rev. Edmund, St. Procopius College, Lisle, Illinois	1946
	Kahl, [Marvin] Philip, Jr., 122 E. 47th St., Indianapolis, Indiana	1952
	Kaiman, Bernard D[avid], 529 S. Fulton St., Salisbury, North Carolina	1950
	Kale, Herbert William, II, 31 N. Lenape Ave., Trenton 8, New Jersey	1956
F	Kalmbach, E[dwin] R[ichard], 1601 Mariposa St., Boulder, Colorado	1927
	Kasper, John L[oren], 1344 Morrison St., Madison, Wisconsin	1948
	Kassoy, Irving, 235 S. 4th St., Columbus, Ohio	1954
	Keating, Dr. F[ancis] Raymond, Jr., 620 Tenth Ave., S. W., Rochester, Minnesota	1941
	Keeler, James E., 3576 Georgetown Dr., Montgomery, Alabama	1952
	Keeler, William S., 2032 Wellesley St., Palo Alto, California	1957
	Keenan, Bennett R., 251 First St., Melrose 76, Massachusetts	1955
	Keeton, Luther F., 80 Eastland Dr., Memphis, Tennessee	1945
	Keil, Julius J., 3554 DeKalb Ave., New York 67, New York	1957
	Keith, Lloyd Burrows, 424 University Farm Pl., Madison 5, Wisconsin	1956

Membership List of the A. O. U.

	Keller, Richard T., 2241 Nelson Dr., Schenectady 9, New York	1947
	Kelley, Neil T[homas], 3681 Forest Hill Dr., Birmingham, Michigan	1951
	Kellogg, Juliet Richardson [Mrs. Waters], 59 Phillips Street, Andover, Massachusetts	1937
EM	Kellogg, Dr. [Peter] Paul, 115 Dearborn Place, Ithaca, New York (1929)	1939
	Kelly, Alfred W[illiam] B[uchanan], 2177 Lincoln Ave., Apt. 12A, Montreal 25, P. Que., Canada	1951
LEM	Kelly, Junea W[angeman] [Mrs. George Earle], 1311 Grand St., Alameda, California (1929)	1949
	Kemnitzner, Allen E[dward], 969 Five Mile Line Rd., Webster, New York	1949
	Kemper, Dr. Charles A., 733 Maple St., Winnetka, Illinois	1954
	Kemsies, Emerson, Department of Zoology, University of Cincinnati, Cincinnati 21, Ohio	1949
	Kenaga, Eugene E., 1629 Isabella Rd., Midland, Michigan	1949
LF	Kendeigh, Dr. S. Charles, Zoology Department, Vivarium Bldg., Uni- versity of Illinois, Champaign, Illinois (1923)	1943
	Kendig, Dr. Perry F[ridy], 114 College Ave., North, Salem, Virginia	1954
	Kennard, Dr. John H[arold], Box 150 R. F. D. 2, Manchester, New Hampshire	1957
	Kennedy, Bruce H[amilton], 389 West 10th Ave., Columbus 1, Ohio	1954
	Kent, Frederick W., University of Iowa, Iowa City, Iowa	1957
	Kent, Lawrence C., 1896 Cowden Ave., Memphis 4, Tennessee	1946
	Kenyon, G[eorge] Paul, R. D. 2, Coudersport, Pennsylvania	1952
	Kenyon, James A[nthony], 417 Third Ave., Lewiston, Idaho	1946
	Kenyon, Karl Walton, 11915 Lakeside Place N. E., Seattle 55, Wash- ington	1944
	Kersting, Cecil C[arl], Field Research Laboratory, Magnolia Petro- leum Co., P. O. Box 900, Dallas 21, Texas	1949
	Kesner, Robert T[aylor], 1 River Glen, Hastings-on-Hudson, New York	1952
LEM	Kessel, Dr. Brina, Department of Biological Science, University of Alaska, College, Alaska (1948)	1954
L	Kieran, John, 25 Northwood Ave., Rockport, Massachusetts	1947
	Kildow, T[homas] Monroe, Box 910, Tiffin, Ohio	1942
	Kilham, Dr. Lawrence, 7815 Aberdeen Rd., Bethesda, 14, Maryland ..	1952
	Killpack, Merlin L[eo], Union High School, Roosevelt, Utah	1949
	Kimball, Miss Mary B[oyston], 809 Main St., Sistrerville, West Virginia	1952
	Kincaid, Edgar B[ryan], Jr., 702 Park Pl., Austin 5, Texas	1953
	Kinch, Miss Carol M., 906 N. Grant St., Lexington, Nebraska	1952
	King, James R[oger], Department of Experimental Biology, Uni- versity of Utah, Salt Lake City 12, Utah	1952
	King, Joseph E., P. O. Box 3830, Honolulu, Territory of Hawaii	1957
	Kingsbury, Dr. Marguerite, Summound, New York	1950
	Kinney, Mrs. Warren, P. O. Box 8, New Vernon, New Jersey	1951
	Kinsey, Eric Campbell, Garnett Young and Co., 390 Fourth St., San Francisco, California	1936
	Kinsley, C[harles] H[arwood], Rm. 1, Agriculture Bldg., Embarcadero at Mission St., San Francisco 5, California	1949

	Kirby, Robert P[hilip], 2282 Yorkshire Dr., Decatur, Illinois	1956
	Kirk, Harvey Charles, 615 North Wolfe St., Baltimore 5, Maryland	1957
	Kirk, Lester King, 19520 Bretton Dr., Detroit 23, Michigan	1954
	Kirk, Peter James, 412 Archer St., Freeport, New York	1956
L	Kirkham, Stanton D[avis], 152 Howell St., Canandaigua, New York	1910
	Kissam, Edward Bernard, Apt. D-7, 1902 Queen St., Winston-Salem, North Carolina	1954
	Kitchen, Herman W., 423 W. 118th St., New York 27, New York	1952
	Klabunde, Walter, Creek Rd. Ext., R. F. D. 1, Lewiston, New York	1949
	Kleber, Richard T[homas], 37 Eames St., North Reading, Massa- chusetts	1955
	Kleen, Richard L., Church Neck Road, St. Michaels, Maryland	1953
	Klepfer, M. Ward, 169 Morris Ave., Buffalo 14, New York	1940
	Klonick, Allan S., 111 Rowland Pkwy., Rochester 10, New York	1938
	Klopfer, Peter, c/o L. M. Smith, 639 So. June St., Los Angeles 5, California	1957
	Knapp, W[ilfrid] A[rthur], Box 727, Rosemere, Quebec, Canada	1950
	Knickmeyer, Robert R., 8627 North Ave., St. Louis 21, Missouri	1946
	Knight, Mrs. T. Spencer, 422 East Ave., Newark, New York	1956
	Knoblauch, Mrs. W. C., Rt. 3, Box 271, Tiffin, Ohio	1957
	Knox, Miss Margaret R[ichardson], 4030 Park Ave., Indianapolis 5, Indiana	1941
	Knorr, Capt. Owen A[ibert], 1918 Mariposa St., Boulder, Colorado	1949
	Knowlton, Frederick Frank, 526 Stewart Ave., Ithaca, New York	1957
	Knudsen, Holger, 1 Kentucky Ave., Toronto 9, Ontario	1953
	Kobayashi, Keisuke, No. 2, 1-Chome, Shinohara-Kitamachi, Nada-Ku, Kobe (Rokko), Japan	1951
BM	Koford, Dr. Carl B., Museum of Vertebrate Zoology, University of California, Berkeley 4, California (1942)	1953
	Kolb, C[harles] Haven, 5915 Meadow Rd., Baltimore 6, Maryland	1937
	Kortheuer, H[ermann] Francis, R. R. 2, Falls Village, Connecticut	1950
LEM	Kortright, Francis Herbert, 633 Eastern Ave., Toronto, Ontario, Canada (1942)	1945
	Kossack, Charles W., 715 S. Division St., Barrington, Illinois	1946
	Kozicky, Dr. Edward L[ouis], Department of Conservation, Olin- Mathieson Chemical Corporation, East Alton, Illinois	1947
	Kramer, Quintin, 872 Ledger Bldg., Philadelphia 6, Pennsylvania	1946
	Kraus, Dr. Douglas L[awrence], Department of Chemistry, Univer- sity of Rhode Island, Kingston, Rhode Island	1940
	Krause, Herbert, 1811 First Avenue South, Sioux Falls, South Dakota	1955
	Krebs, R[obert] W[illiam], 98 Druid Hill Rd., Summit, New Jersey	1952
	Krehbiel, A[dolf] J[acob], 221 Jefferson St., Clayton, New Mexico	1949
L	Krivaneck, Robin Cooley, [Mrs. J. O.], Department of Zoology, New- comb College, Tulane University, New Orleans, Louisiana	1952
	Krug, Howard H[enry], Chesley, Ontario, Canada	1932
	Krumm, Kenneth, Lacreek National Wildlife Refuge, Martin, South Dakota	1938
EM	Kubichek, Wesley Frank, Fish and Wildlife Service, Department of the Interior, Washington 25, D. C. (1919)	1939
	Kuhlman, Franklin R[obert], 100 Margaret St., Lake Mills, Wisconsin	1954

	Kunkle, Donald [Edward], Box 121, Port Norris, New Jersey	1950
	Kuschke, Arthur Wyndham, Jr., 522 Kingston Rd., Oreland, Pennsylvania	1935
	Kyllingstad, Henry C[arrel], Linton, North Dakota	1947
	LaBelle, George A., Cocagne, New Brunswick, Canada	1939
	Labisky, Ronald F., Section of Wildlife Research, Illinois Natural History Survey, Urbana, Illinois	1955
	LaFave, Lynn D., 1311 Longfellow, Spokane 22, Washington	1956
EM	Laing, Hamilton Mack, Comox P. O., British Columbia, Canada (1917)	1941
EM	Lamb, Chester C., 412 Peach St., Compton, California (1943)	1954
	Lamm, Donald W., 3320 Reservoir Rd., Washington, D. C.	1941
	Lamm, Harold G., Cleveland Zoological Park, Cleveland 9, Ohio	1956
	Lancaster, Douglas A[lan], Museum of Zoology, Louisiana State University, Baton Rouge, Louisiana	1949
	Lanceley, W. H., 23 Elmdale Ave., Ottawa 2, Ontario, Canada	1926
	Land, Hugh Colman, Zoology Department, Oklahoma University, Norman, Oklahoma	1953
	Landing, James Edward, 510 E. 11th St., Michigan City, Indiana	1956
	Langelier, Mrs. Gus[tave] [Adolphe], 1445 de l'Entente Blvd., Quebec, Canada	1940
	Langford, Dr. Arthur N., Bishop's University, Lennoxville, Quebec, Canada	1952
	Langstroth, James H[cidel], Box 1130, Silver City, New Mexico	1924
	Lanning, Robert George, P. O. Box 9, Belleville, Ontario, Canada	1942
	Lanyon, Dr. Wesley E., American Museum of Natural History, New York 25, New York	1947
	Lapham, Virgil Texas, P. O. Box 233, Denham Springs, Louisiana	1946
	Larkin, Frank L., The Putnam Trust Company, Greenwich, Connecticut	1957
	Larkin, Harry Hubbard, 189 Van Rensselaer St., Buffalo 10, New York	1949
	Larrabee, William M., 255-37 Upland Rd., Great Neck, New York	1955
	Larrison, Dr. Earl J[unior], Department of Biological Sciences, University of Idaho, Moscow, Idaho	1946
	Larson, Mervin W[alden], Arizona-Sonora Desert Museum, P. O. Box 5602, Tuscon, Arizona	1954
LEM	Laskey, Amelia R. [Mrs. F. C.], 1521 Graybar Lane, Nashville, Tennessee (1933)	1951
	Latham, Roy, Orient, Long Island, New York	1916
	Latta, Katharine, 430 W. Moreland Ave., Philadelphia 18, Pennsylvania	1949
	Laun, Harry Charles, 1212 Hazel Dr., Alton, Illinois	1956
	Laux, Louis J., Jr., 1120 Martin Place, Ann Arbor, Michigan	1955
	Lawrence, Dr. John M., 2203 Orchard Dr., Pullman, Washington	1952
EM	Lawrence, Mrs. Louise de Kiriline, Rutherglen, Ontario, Canada (1946)	1954
	Lawson, Ralph, 5 Carpenter St., Salem, Massachusetts	1917
	Lawson, W. J., Men's Residence, University of Natal, Oribi, Pietermaritzburg, South Africa	1955
	Lazear, Dr. Davies, 545 Lincoln Ave., Winnetka, Illinois	1956
	Lea, Dr. Robert B[ashford], 165 N. Liberty St., Elgin, Illinois	1941
L	Learing, George Richmond, 168 Beacon St., Boston, Massachusetts	1924

	Leavitt, Dr. Benjamin B., Department of Biology, University of Florida, Gainesville, Florida	1947
	Leaycraft, Mrs. Edgar C. [Helen B.], Hills Point Rd., Westport, Connecticut	1950
	Leberman, Robert C., R. D. 1, Saeger Hill, Meadville, Pennsylvania	1956
	Lee, George R[eynolds], River Basin Studies, Fish and Wildlife Service, Washington 25, D. C.....	1949
	Leedy, Dr. Daniel L[oney], Fish and Wildlife Service, Department of the Interior, Washington 25, D. C.	1937
L	Lees-Smith, D[erek] T[hayer], Broadmoor Hospital, Crowthorne, Berkshire, England	1951
	LeFebvre, Eugene Allen, 2301 E. Co. Rd. E., White Bear 10, Minnesota	1953
	LeFebvre, Rufus H[arry], 54 N. Lehman St., York, Pennsylvania	1927
	Legg, Mrs. Dorothy C[ogan], 1823 Irving Ave., S., Minneapolis 5, Minnesota	1950
	Leister, Dr. Claude W[illard], Pocono Wild Animal Farm, R. R. 1, Stroudsburg, Pennsylvania	1916
	Lemaire, Robert J[oseph], 1445 15th Ave., Vero Beach, Florida	1954
	Lemieux, Louis, 1208 Albert Lozeau, Quebec 6, P. Q., Canada	1949
	Leomon, Robert S[tell], Olmstead Hill, Wilton, Connecticut	1950
	Lengemann, Martha A., 360 Cedar St., Imlay City, Michigan	1949
	Lenhert, P[aul] Galen, Department of Biophysics, Johns Hopkins University, Baltimore 18, Maryland	1952
	Lenz, Lawrence R., 10725 Borgman Ave., Huntington Woods, Michigan	1954
EM	Leopold, Dr. A[ldo] Starker, Museum of Vertebrate Zoology, Berkeley 4, California	(1940) 1946
	Leupold, Norbert H., 3555 S. E. Insley, Portland 2, Oregon	1946
	Levi, Dr. Herbert W., Museum of Comparative Zoology, Harvard University, Cambridge 38, Massachusetts	1952
L	Levy, Seymour Harry, R. R. 9, Box 960, Tucson, Arizona	1956
	Lewis, Alice Hay [Mrs. Neil H.], 2220 N. Berendo St., Los Angeles 27, California	1952
	Lewis, C. Bernard, Science Museum, Institute of Jamaica, Kingston, Jamaica, British West Indies	1947
LF	Lewis, Dr. Harrison F., West Middle Sable, Shelburne County, Nova Scotia, Canada	(1912) 1942
	Lewis, Joseph S., 86 S. Main St., Box 441, Spring Grove, Pennsylvania	1953
	Lewis, Miss Mary Genevieve, Warren Wilson College, Swannanoa, North Carolina	1954
	Lewis, William O[wen], Ivy, Virginia	1951
	Lidicker, William Z[ander], Jr., Museum of Vertebrate Zoology, University of California, Berkeley 4, California	1950
	Liebe, Harold J[ohn], 166 Ballard Dr., Hartford 7, Connecticut	1943
	Lieftinck, John E[dmund], c/o Goodyear S. A., Luxembourg City, Luxembourg	1949
	Lien, Boyd M[arten], 5148-29 Ave., S., Minneapolis 17, Minnesota ..	1951
L	Ligas, Frank J[ohn], 1500 S. W. 15th Ave., Ft. Lauderdale, Florida	1951
	Lightman, Nason S[halom], 174 West Woodruff Ave., Columbus 1, Ohio	1957
EM	Ligon, J[ames] Stokley, Box 950, Carlsbad, New Mexico	(1912) 1927

LF	Lincoln, Dr. Frederick C., Fish and Wildlife Service, Department of the Interior, Washington 25, D. C. (1910)	1934
	Lindau, S. Paul, 108 N. Harvard Blvd., Los Angeles 4, California	1954
	Lindsay, Bert Wetzel, 4520 Highland Terrace, Austin 3, Texas	1956
	Linford, James B., 538 Fairbanks Ave., Oakland 10, California	1952
F	Linsdale, Dr. Jean M., Jamesburg Route, Carmel Valley, California	(1922) 1945
	Linsner, Norman Dale, 915 Fourth St., Three Rivers, Michigan	1956
	Linton, M[orris] Albert, 315 E. Oak Ave., Moorestown, New Jersey ..	1928
	Lippert, George E[dward], Brown Road, R. D. 1, Albion, New York	1956
	Littahorsky, Anton, 3808 Union Rd., (Afton), St. Louis 23, Missouri	1954
	Livermore, John Walton, Old Merchant Rd., West Redding, Connecticut	1947
	Livingston, Philip Atlee, 620 Manor Rd., Narberth, Pennsylvania ...	1956
	Lloyd, Clark K[orner], 11 N. Elm St., Oxford, Ohio	1949
LF	Lloyd, Hoyes, 582 Mariposa Ave., Ottawa, Ontario, Canada (1916)	1932
	Lloyd, Mrs. Wilmot, 582 Mariposa Ave., Ottawa, Ontario, Canada ..	1925
L	Lockwood, Dr. Robert Minturn, 2217 Glenwood Lane, Denton, Texas	1947
	Loetscher, Dr. Frederick Wm., Jr., 507 W. Main St., Danville, Kentucky	1938
	Loftin, Mrs. H. Grady, 1942 West Ashby Pl., San Antonio 1, Texas ...	1956
	Long, Betty Holmes [Mrs. Harry], Green Brier Rd., R. F. D. 6, Westport, Connecticut	1949
	Long, Mrs. Roberta J., 45 Clarendon Ave., San Francisco 14, California	1952
	Longley, William H[oward], P. O. Box 362, Kasson, Minnesota	1943
EM	Longstreet, Rubert James, Rt. 2, Box 177, DeLand, Florida (1923)	1949
	Longwell, John Raymond, Box 8, Solomons, Maryland	1955
	Loomis, Mrs. Hazel Ellis, [Prof.], R. D. 2, Box 157 T, Hammond, Louisiana	1935
	Løppenthin, Bernt, University Library, Dansk Ornithologisk, Forening 2 Dept.-Nr. Alle 49, Copenhagen, Denmark	1928
	Lord, Dr. Frederic P[omeroy], 960 Broadway, Dunedin, Florida	1922
	Loring, George G[ardiner] Bridge St., Manchester, Massachusetts ...	1949
	Loukashkin, A. S., 1210 23rd Ave., San Francisco, California	1941
	Lovell, Mrs. C. Edwin, 61 Norwick Dr., Youngstown 4, Ohio	1957
	Lovell, Dr. Harvey B[ulfinch], 2346 Dundee Rd., Louisville 5, Kentucky	1943
	Lovett, Mrs. Robert A., "Pleasance," Locust Valley, Long Island, New York	1953
LEM	Low, Seth H[askell], Rt. 2, Gaithersburg, Maryland	(1930) 1949
	Lowe, Miss Mildred Eileen, Box 218, Louisiana College, Pineville, Louisiana	1956
F	Lowery, Dr. George H[ines], Jr., Museum of Zoology, Louisiana State University, Baton Rouge, Louisiana	(1934) 1949
L	Lownes, Albert E., P. O. Box 1531, Providence, Rhode Island	1924
	Lowther, James K., 1375 Sherwood Crescent, Apt. 206, Montreal 16, Quebec, Canada	1956
	Ludwig, Charles, Crawford County Institute, Saegerstown, Pennsylvania	1949
	Ludwig, Dr. F[rederick] E[dwin], 2864 Military St., Port Huron, Michigan	1949

Ludwig, John Paul, P. O. 445, Dan's Highway, New Canaan, Connecticut	1955
Lueshen, Mrs. John, Wisner, Nebraska	1952
Lukens, William Weaver, Jr., Upper Gulph Rd., Radnor, Pennsylvania	1946
Lumsden, H. G., Southern Research Station, Maple, Ontario, Canada	1951
Lundberg, Arnold Edward, R. F. D. 1, Walnut Hill, Thomaston, Connecticut	1954
Lunk, Dr. William A., 1807 Sunrise St., Ann Arbor, Michigan	1938
Lupient, Mrs. Mary Louise, 212 S. E. Bedford St., Minneapolis, Minnesota	1946
Luthy, Ferd[inand], Jr., 1310 N. Institute, Peoria, Illinois	1937
Luwe, William Ralph, 309 State St., Mankato, Minnesota	1954
Lynn, Robert, Biology Department, Austin College, Sherman, Texas	1957
Maag, Miss Mathilda M., 18714 Kinsman Rd., Shaker Heights 22, Ohio	1956
MacCracken, Mrs. Helen Dolman, Box 1115, Estes Park, Colorado ..	1931
MacDonald, Duncan, 1201 California Dr., Apt. 203, St. Paul 13, Minnesota	1955
Mack, H. G., c/o Gilson Manufacturing Company, Guelph, Ontario, Canada	1933
Mackay, R[onald] H[ugh], Forestry and Geology Bldg., University of British Columbia, Vancouver, British Columbia, Canada	1950
Mackenzie, Dr. Locke L., 829 Park Ave., New York 21, New York	1946
Mackiewicz, John Stanley, Comstock Hall, Cornell University, Ithaca, New York	1952
Mackinnon, Joseph Ayer, 2047 9th Ave., Greeley, Colorado	1957
Macklin, Paul R., Bryant, Indiana	1954
Mackworth-Praed, C[yril] W[inthrop], Castletop, Burley, near Ringwood, Hants., England	1928
Maclay, Mark W[alton], 76 Beaver St., New York, New York	1905
Maclean, Dorothy W[illiams], 58 Newtown Ave., Norwalk, Connecticut	1931
MacLulich, Dr. Duncan A[lexander], 342 Marshall Court, Ottawa, Ontario, Canada	1931
Macpherson, Andrew H[all], 535 Percy St., Ottawa, Ontario, Canada	1951
Madison, Samuel R., 14 McGuffey Lane, Delmar, New York	1952
Magner, J[ohn] Marshall, 516 Bacon Ave., Webster Groves 19, Missouri	1948
Magney, Gertrude Blackwell [Mrs. G. R.], 5329 Washburn Ave., S., Minneapolis 10, Minnesota	1950
Maher, William Joseph, Museum of Vertebrate Zoology, University of California, Berkeley 4, California	1953
Mainster, Raymond Waite, 3716 Croydon Rd., Baltimore 7, Maryland	1953
Mair, W[illiam] Winston, 271 Pleasant Park Rd., Ottawa 1, Ontario, Canada	1953
Mall, Rolf E[mil], 753 Johnson St., Red Bluff, California	1952
Malott, James P[reston], 4911 Eppes, Houston 21, Texas	1956
Mangels, Frederick P[aul], 708 Farmers Ave., Bellmore, Long Island, New York	1953

	Manners, Edward R[obert], 216 New Broadway, Brooklawn, New Jersey	1941
EM	Manning, Thomas H[enry], 37 Linden Terrace, Ottawa, Ontario, Canada	(1937) 1949
	Mannix, Mrs. Lucille, 3899 East 176 St., Cleveland 28, Ohio	1947
	Marble, Richard M[errill], Woodstock, Vermont	1907
	Margolin, A[braham] S[tanley], Phoenix College, Biology Department, Phoenix, Arizona	1949
	Marionneaux, Alice S[tuntz] [Mrs. Belfort V.], Central Romana Corp., La Romana, Dominican Republic	1941
L	Mark, Cyrus, 270 Birch St., Winnetka, Illinois	1952
	Marsden, Halsey Means, 75 Westland Ave., West Hartford 7, Connecticut	1956
	Marsh, Thompson G., College of Law, 1445 Cleveland Place, University of Denver, Denver, Colorado	1957
	Marshall, David B., Malheur National Wildlife Refuge, Burns, Oregon	1942
EM	Marshall, Dr. Joe T., Jr., Department of Zoology, University of Arizona, Tucson, Arizona	(1941) 1948
	Marshall, Perry R[aymond] F[oster], Denman Island, British Columbia, Canada	1952
	Marshall, Terrell, 372 Skyline Dr., Park Hill, North Little Rock, Arkansas	1944
EM	Marshall, Dr. William Hampton, 300 Coffey Hall, University of Minnesota, St. Paul 1, Minnesota	(1935) 1950
	Martin del Campo, Rafael, Instituto de Biologia, Ciudad Universitaria, Mexico D.F., Mexico	1948
	Martin, Dr. Donald B[eckwith], Metabolic Unit, Peter Bent Brigham Hospital, 721 Huntington Ave., Boston 15, Massachusetts	1954
	Martin, Fant W., 1078 Crescent Drive, Logan, Utah	1957
	Martin, Frank R., Foxholm, North Dakota	1953
	Martin, H. Bradley, 465 East 57th St., New York 22, New York	1955
	Martin, Patrick Waldyve, R. R. 2, Kamloops, British Columbia, Canada	1948
	Martola, H. R., Ulkoasiainministerio, Helsinki, Finland	1953
	Marvel, Dr. Carl S[hipp], 404 W. Pennsylvania Ave., Urbana, Illinois	1951
EM	Maslowski, Karl H[erbert], 1034 Maycliff Place, Cincinnati, Ohio (1935)	1951
	Mason, C[harles] N[athan], 6432 31st St., N. W., Washington 15, D. C.	1948
EM	Mason, C[harles] Russell, 1376 Walnut St., Newton Highlands 61, Massachusetts	(1936) 1947
	Mason, Edwin A., Arcadia Wildlife Sanctuary, Easthampton, Massachusetts	1943
	Mason, Robert F[rench], Jr., Rt. 1, Apopka, Florida	1929
	Mather, Richard H., 5583 Queen Mary Rd., Hampstead 29, Montreal, Quebec, Canada	1947
	Mathews, Dr. Frank P[elletreau], Rt. 6, Box 308, Olympia, Washington	1923
L	Mathieu, J. A., Rainy Lake, Ontario, Canada	1952
	Matousek, Frank, Halenarska 11, Trnava, Czechoslovakia	1953

	Matthews, William Henry, Jr., 2 Berkeley Ave., Apt. 2F, Yonkers 5, New York	1948
	Mattocks, James [Richardson], Professional Building, High Point, North Carolina	1949
	May, Fred H[amilton], 211 Beall St., Lenoir, North Carolina	1952
	Mayfield, Al Heath, P. O. Box 685, Lexington, Kentucky	1954
LEM	Mayfield, Harold F[ord], River Road, Waterville, R. F. D., Ohio (1940)	1950
	Mayhew, Dr. Wilbur W[aldo], Division of Life Sciences, University of California, Riverside, California	1947
LF	Mayr, Dr. Ernst, Museum of Comparative Zoology, Harvard University, Cambridge 38, Massachusetts	(1929) 1937
L	Mazzeo, Rosario, 114 The Fenway, Boston, Massachusetts	1943
FE	McAtee, Waldo Lee, 3 Davie Circle, Chapel Hill, North Carolina (1903)	1913
EM	McCabe, Dr. Robert A., 424 University Farm Place, Madison 5, Wisconsin	(1946) 1951
	McChesney, Donald Stevenson, 405 Piercefield Dr., (Solvay), Syracuse 9, New York	1955
	McChesney, Marian Pennock [Mrs. Donald S.], 405 Piercefield Dr., (Solvay), Syracuse 9, New York	1955
	McClung, Robert M[arshall], Adelphi Ave., Harrison, New York ...	1949
	McClure, Dr. H[owe] Elliott, 406 Med. Gen. Lab., A.P.O. 343, San Francisco, California	1942
	McCollough, Alice Lois, 424 Judson St., Marion, Alabama	1957
	McConoughey, Frank P[erry], 1547 Northland Ave., Lakewood 7, Ohio	1953
HL	McCook, Philip James, 25 East End Ave., New York 22, New York ..	1895
	McCormick-Goodhart, L[eander], "Bellapais," 610 E. Boulevard Dr., Alexandria, Virginia	1927
	McCoy, Edward Gordon, Rt. 2, Snow Hill, North Carolina	1956
	McCoy, John J., Tennessee Wesleyan College, Athens, Tennessee ...	1956
	McCue, Dr. Earl N[ewlon], P. O. Box 104, Morgantown, West Virginia	1949
	McCullagh, Dr. E. Perry, Cleveland Clinic, 2020 E. 93rd St., Cleveland 6, Ohio	1954
	McDade, Dr. Harry C., P. O. Box 678, Hanover, New Hampshire ...	1957
	McDonald, Dr. George V., Apple Hill, Ontario, Canada	1952
	McElroy, Thomas P., Jr., The Pequot-sepos Wildlife Sanctuary, Pequot-sepos Ave., Mystic, Connecticut	1947
	McEntee, Elinor G., [Mrs. Howard G.], 490 Fairfield Ave., Ridgewood, New Jersey	1949
	McGaw, Mrs. G. H[ampton] (Elizabeth T[aylor]), 18 Beech St., Woodsville, New Hampshire	1949
	McGeen, Dr. Daniel S., 707 Community National Bank Bldg., Pontiac, Michigan	1945
	McGowan, Terry A[llen], 499 Longview Drive, Lexington, Kentucky	1952
	McIlvain, John F[olwell], 141 E. Maple Ave., Langhorne, Pennsylvania	1949
	McIlwaine, Dr. William B[aird], Jr., "Sysonby," R. R. 4, Petersburg, Virginia	1933
	McIlwraith, T[homas] F[orsyth], 30 Strathallan Blvd., Toronto 12, Ontario, Canada	1933

	McKay, Neil, 38 S. Dearborn St., Rm. 1400, Chicago 3, Illinois	1955
	McKay, Reg[inald] R., P. O. Box 8374, Arlington Branch, Jacksonville 11, Florida	1949
	McKeever, Mrs. Katharine R[yan], P. O. Box 62, Water Mill, New York	1951
	McKinley, Daniel Lawson, Bowdoin College, Biology Department, Brunswick, Maine	1952
	McKinney, Dr. [David] Frank, Delta Waterfowl Research Station, Delta, Manitoba, Canada	1955
	McKittrick, Thomas Harrington, Slate Falls, Blairstown, R. D. 2, New Jersey	1928
	McKnight, Edwin T[hor], 5038 Park Place, Washington 16, D. C. . .	1947
	McLaughlin, Charles Albert, Los Angeles County Museum, Exposition Park, Los Angeles 7, California	1957
	McLaughlin, Frank Winnifred, Ewing Ave., Franklin Lakes, New Jersey	1947
L	McLaughlin, Vincent P., Jr., 287 Poland Center Rd., Poland 14, Ohio	1938
	McLean, Donald D[udley], 2455 Cottle Ave., San Jose 25, California	1930
	McLeod, John A[llen], Jr., 113 E. Hendrix St., Greensboro, North Carolina	1950
	McManus, Reid, Jr., Memramcook, New Brunswick, Canada	1930
	McMillan, Eben, Cholame, California	1947
	McMillan, Ian I[rving], Box 63, Shandon, California	1947
	McMillan, William R[enton], 12701 12th Ave., N. W., Seattle 77, Washington	1938
	McQuate, Dr. A. G., 374 Riverside Dr., Rt. 3, Tiffin, Ohio	1957
	Meacham, Frank B., North Carolina State Museum, Raleigh, North Carolina	1947
	Meade, Dr. Gordon M[ontgomery], 1427 Eye St., N. W., Washington, D. C.	1936
EM	Meanley, M. Brooke, Patuxent Research Refuge, Laurel, Maryland (1935)	1952
	Means, Robert Whitman, Topsfield, R. F. D., Massachusetts	1955
L	Medcalf, Robert, 1824 S. W. 11th Ave., Portland 1, Oregon	1943
	Medina, Don R[aul], Museum of Vertebrate Zoology, University of California, Berkeley 4, California	1955
	Mehner, John F[rederick], 1526 Greenmont Ave., Pittsburgh 16, Penn- sylvania	1948
	Meitzen, Logan Herman, Box 66, Anahuac, Texas	1953
	Meitzen, Dr. Travis C., Box 308, Refugio, Texas	1942
	Mellinger, Enos Oren, Savannah N. W. Refuge, Box 4008, Port Went- worth, Georgia	1940
	Menaboni, Athos, 1111 Cook Rd., N. W., Atlanta 5, Georgia	1947
F	Mendall, Howard L[ewis], Maine Coop. Wildlife Res. Unit, 121 East Annex, University of Maine, Orono, Maine (1934)	1954
	Menefee, Emory, 5600 Paraguay St., El Paso, Texas	1950
L	Meng, Dr. Heinz, 116 Miller St., Ithaca, New York	1944
EM	Mengel, Robert M., Museum of Natural History, University of Kansas, Lawrence, Kansas (1938)	1951
	Menninger, Philip B[ratton], 1724 Collins Ave., Topeka, Kansas . . .	1954

	Merck, George Wall, "The Fields," Far Hills, New Jersey	1955
	Meredith, Rex, 1045 Monckton Ave., Quebec, Canada	1927
	Meritt, James K., 16 Ellen Lane, Scotia 2, New York	1942
	Merkel, Robert S[ydney], 212 Sunset Ave., Charlottesville, Virginia	1953
	Mers, William H., 1659 Marlowe Ave., Cincinnati 24, Ohio	1951
	Metcalf, Homer N[oble], Department of Horticulture, Montana State College, Bozeman, Montana	1946
	Mewaldt, Dr. L[eonard] Richard, Department of Natural Sciences, San Jose State College, San Jose, California	1947
L	Meyer, Miss Heloise, Lenox, Massachusetts	1913
	Meyer, Dr. Henry, 115 Graham Ave., Whitewater, Wisconsin	1944
	Meyerdiecks, Herman J., 34 Otsego St., Brooklyn 31, New York	1957
	Meyerriecks, Andrew J[oseph], Biological Laboratories, Harvard Uni- versity, Cambridge 38, Massachusetts	1948
L	Meyers, Dr. Kenneth Lewis, 2222 Far Hills Ave., Dayton 9, Ohio	1953
	Michaud, Ted Corneille, 4014 Maplewood, Austin, Texas	1955
	Michener, Josephine R. [Mrs. Harold], 418 N. Hudson Ave., Pasadena 4, California	1950
	Middleton, Mrs. Archie D., Brady, Nebraska	1952
	Middleton, R[aymond] J[ones], 131 N. Whitehall Rd., Norristown, Pennsylvania	1920
	Miles, Mrs. Burgess, 2134 Kendall Ave., Madison 5, Wisconsin	1956
	Miles, M[erriam] L[ee], Chamber of Commerce, Box No. 1500, Green- ville, South Carolina	1941
	Millar, John Burton, Department of Zoology, University of Wisconsin, Madison, Wisconsin	1954
LF	Miller, Dr. Alden Holmes, Museum of Vertebrate Zoology, University of California, Berkeley 4, California	(1929) 1939
	Miller, Mrs. Clarence H[eath], 1354 Herschel Ave., Cincinnati 8, Ohio	1939
	Miller, Clark, Inwood, West Virginia	1951
L	Miller, Douglas Scott, 122 Lawrence Ave., East, Toronto, Ontario, Canada	1938
	Miller, Mrs. Hettie, Murtle Lake Wells Gray Park, c/o B. C. Forestry Office, Kamloops, British Columbia, Canada	1957
	Miller, Dr. John R., 366 N. Van Ness Ave., Fresno 1, California	1946
LF	Miller, Dr. Loye H[olmes], Museum of Vertebrate Zoology, Berkeley 4, California	(1918) 1930
	Miller, Lyle DeVern, 5795 Mill Creek Blvd., Youngstown 12, Ohio ..	1947
EM	Miller, Dr. Robert C[unningham], California Academy of Sciences, San Francisco 18, California	(1935) 1942
	Miller, Mrs. Wilmer J., [Lotus Simon], 529 E. 9th St., Davis, California	1955
	Mills, Dudley H[olbrook], Glen Head, Long Island, New York	1929
	Mills, Dr. Harlow B[urgess], Natural History Survey, Urbana, Illinois	1949
L	Mills, Herbert Hagerman, Arrowhead Farms, Bridgeton R. D. 3, New Jersey	1955
	Mills, W[illett] J[ames], 100 Spring Garden Rd., Halifax, Nova Scotia, Canada	1953
	Millsbaugh, Prof. D. D., Iowa Wesleyan College, Mt. Pleasant, Iowa	1957
	Milnes, Herbert, 707 Hughson St., Woodstock, Ontario, Canada	1952
	Minard, Elbridge A., 25 Maple St., Auburndale 66, Massachusetts ..	1954

	Minich, Edward C[onrad], 1047 Fairview Ave., Youngstown 2, Ohio	1949
	Minot, John Granville, 31 Benjamin Rd., Arlington, Massachusetts	1956
	Miskimen, Miss Mildred, Department of Physiology, Miami University, Oxford, Ohio	1951
LEM	Mitchell, Harold D[ies], 238 W. Royal Parkway, Williamsville 21, New York	(1930) 1949
L	Mitchell, Mrs. Osborne S. [Margaret H.], 150 Balmoral Ave., Apt. 301, Toronto, Ontario, Canada	1928
HL	Mitchell, Dr. Walton L[ungerich], 398 Vassar Ave., Berkeley 8, Cali- fornia	1893
	Mohr, Charles Edward, Audubon Center, Quaker Ridge, Greenwich, Connecticut	1942
	Monk, H[arry] C[rawford], 406 Avoca St., Nashville 5, Tennessee	1921
EM	Monroe, Burt L[eavelle], Ridge Road, Anchorage, Kentucky	(1935) 1947
L	Monroe, Lt. JG. Burt L., Jr., USNR., c/o Francis M. Weston, 2006 E. Jordan St., Pensacola, Florida	1953
	Monroe, Dr. James, Ray Brook, New York	1940
	Monroe, Morgan C., 2802 North 21st St., Phoenix, Arizona	1954
EM	Monson, Gale [Wendell], P. O. Box 1032, Yuma, Arizona	(1937) 1950
	Montgomery, George Hugh, 4689 Westmount Ave., Westmount, Que- bec, Canada	1947
	Moody, A[delbert] J[ohn], 794 Farmington Ave., West Hartford 7, Connecticut	1918
L	Moody, Miss Olive B[eauchamp], 510 River Rd., Beaver, Pennsylvania	1949
	Mook, Leonard Jan, 262 Jackson St., West, Hamilton, Ontario, Canada	1957
	Moon, Jennie S[ennett], 4107 W. Woodbine St., Chevy Chase 15, Maryland	1949
	Moon, Dr. Neil S[ennett], 25 Edgewater Lane, Zone 17, Rochester 9, New York	1949
L	Moore, John Royal, 344 92nd St., Stone Harbor, New Jersey	1957
	Moore, Dr. Joseph C[urtis], Department of Mammals, American Mu- seum of Natural History, New York 24, New York	1952
	Moore, Robert B[yron], 1332 Knollwood Dr., Baton Rouge, Louisiana	1949
LF	Moore, Dr. Robert Thomas, Laboratory of Zoology, Occidental Col- lege, Los Angeles 41, California	(1898) 1940
	Moore, Tilford, 2265 Carter Ave., St. Paul 8, Minnesota	1945
	Morejohn, G[onzalo] Victor, Department of Zoology, University of California, Davis, California	1947
	Moreno, Dr. Abelardo, Museo Poey, Catedra "U," Escuela de Ciencias, Universidad de la Habana, Habana, Cuba	1942
	Morgan, Allen H., Cochituate Rd., Wayland, Massachusetts	1947
	Morgan, Edmund, Tackapausha Preserve, Seaford, Long Island, New York	1956
L	Morgan, John Sage, 38 Garrison Rd., Brookline, Massachusetts	1927
	Morland, Thomas F[rancis] T[hornhill], 1 Ogilvie St., Halifax, Nova Scotia, Canada	1952
	Morrison, Alva, 2 Garden Terrace, Cambridge 38, Massachusetts	1945
	Morrison, Kenneth Douglas, Mountain Lake Sanctuary, Lake Wales, Florida	1947
	Morrow, Mrs. John, Jr., (Dessie P[owers]), 1320 N. State St., Chicago 10, Illinois	1945

	Morse, Douglass H[athaway], Star Route, Lisbon, Maine	1956
	Morse, Miss Margarette E[lthea], 122 W. South St., Viroqua, Wisconsin	1919
	Mortensen, Hemming, 9305 - 208 St., Queen's Village, New York ...	1953
	Morton, Eugene S., 21247 Maplewood Ave., Rocky River 16, Ohio ..	1957
LEM	Moser, Dr. R[euben] Allyn, 911 S. 89th St., Omaha 6, Nebraska (1940)	1947
L	Moses, Dr. Leon, 19 East 74th St., New York 21, New York	1948
	Moss, Miss Margaret Steel, "40 Acres," R. D. 1, Linglestown, Pennsylvania	1956
	Mossman, Dr. Archie S[anton], Department of Biology, University of Wisconsin, Extension, Green Bay, Wisconsin	1955
	Mossop, Harold S[cott], 31 St. George's Road, St. Vital, Winnipeg 8, Manitoba, Canada	1957
	Mostoller, Ralph V[ickroy], 1 Cleveland St., Johnstown, Pennsylvania	1936
	Mott, Peter Rhoades, Middlesex School, Concord, Massachusetts ...	1957
	Moulton, Francis S[evern], 14 Acorn St., Boston 8, Massachusetts ..	1926
	Moulton, Francis Severn, Jr., 2 Elm St., Concord, Massachusetts ...	1947
	Mountfort, Guy, Hartley House, Woldingham, Surrey, England	1953
	Moyer, Jack T[homson], 11 Oaza Tsubota, Miyake Mura, Miyake Jima, Tokyo-to, Japan	1952
	Moynihan, Dr. Martin H., Canal Zone Biological Area, Drawer C, Balboa, Panama, Canal Zone	1954
L	Mudge, Edmund W., Jr., 5926 Averill Way, Dallas 5, Texas	1947
	Mudge, Eugene TenBroeck, R. F. D., Northport, Long Island, New York	1953
	Mueller, Helmuth, 2756 N. Palmer St., Milwaukee 12, Wisconsin ..	1948
	Muggenburg, Bruce A., 1609 S. Hawthorne, Sioux Falls, South Dakota	1952
	Muhlbach, W[alt] L[auritz], 2127 Ashby Ave., Berkeley 5, California	1954
	Muir, A[lister], 1682 Marine, Park of Canada, West Vancouver, British Columbia, Canada	1955
	Mulligan, Walter F., 9210 49th Ave., College Park, Maryland	1947
	Mulloy, Elizabeth J. [Mrs. Milton S.], 4824 So. 29th St., Arlington 6, Virginia	1947
	Mumford, Russell Eugene, Muscum of Zoology, University of Michigan, Ann Arbor, Michigan	1954
EM	Munro, David Aird, Canadian Wildlife Service, 150 Wellington St., Ottawa, Ontario, Canada	(1947) 1956
EM	Munro, George C[ampbell], 3029 Hibiscus Dr., Honolulu 15, Hawaii (1939)	1945
F	Munro, James Alexander, Okanagan Landing, British Columbia (1913)	1941
	Munter, Rear Admiral W[illiam] H[enry], 4518 52nd Ave., N. E., Seattle 5, Washington	1927
	Murdock, James [Ingram], 311 Irving Ave., Glendale 1, California ..	1943
	Murdy, H[oratio] W[illiams], South Dakota Department of Game, Fish and Parks, Pierre, South Dakota	1949
EM	Murie, Dr. O[laus] J[ohan], Moose, Wyoming	(1913) 1934
	Murphy, Miss Alice Veronica, 305 Massasoit Rd., Worcester, Massachusetts	1957
	Murphy, Grace E[meline] Barstow [Mrs. Robert C.], "Briarlea," Old Field, Setauket, New York	1919
	Murphy, Joseph Robinson, 625 South 51st St., Lincoln 10, Nebraska ..	1952

F	Murphy, Dr. Robert Cushman, "Briarlea," Old Field, Setauket, Long Island, New York (1905)	1920
	Murphy, Paul Charles, 935 Goodrich Ave., Apt. 10, St. Paul 5, Minnesota	1954
	Murray, Bertram G[eorge], Jr., 807 Mountain Ave., Bound Brook, New Jersey	1956
	Murray, Dougald, R. R. 1, Melbourne, Ontario, Canada	1952
EM	Murray, Rev. J[oseph] J[ames], 6 White St., Lexington, Virginia (1928)	1936
	Murray, Miss Lucy H., Regina College, Regina, Saskatchewan, Canada	1955
	Musgrove, Jack W[arren], 2414 Adams St., Des Moines, Iowa	1946
	Musselman, Dr. T[homas] E[dgar], 124 S. 24th St., Quincy, Illinois	1922
	Myers, Buford M[acMartin], Jr., 2104 Gen. Pershing St., New Orleans 15, Louisiana	1952
	Myres, Timothy Miles, Department of Zoology, University of British Columbia, Vancouver 8, British Columbia, Canada	1955
	Naumburg, Walter W[ehle], 121 East 64th St., New York, New York	1923
	Neal, Mrs. Charles, Box 133, Demorest, Georgia	1946
EM	Neff, Johnson A[ndrew], Wildlife Research Laboratory, Building 45, Denver Federal Center, Denver 2, Colorado (1919)	1951
	Neher, Harry T[rainor], 817 Radcliffe St., Bristol, Pennsylvania . . .	1951
	Nelson, Mrs. Almer P. [Grace Sharritt], Jackson, Wyoming	1949
	Nelson, Mrs. Charles E., Jr., Box 77 C - Route 1, Dousman, Wisconsin	1938
	Nelson, Harvey K., Fish and Wildlife Service, P. O. Box 728, Saginaw, Michigan	1953
L	Nelson, Dr. Theodora, 315 E. 68th St., New York 21, New York . . .	1927
EM	Nero, Dr. Robert W[illiam], Department of Natural Resources, Saskatchewan Museum of Natural History, Regina, Saskatchewan (1950)	1955
	Nessle, James P[hilip], R. F. D. 1, Waterville, Ohio	1949
	Netherton, Hazel I. M. [Mrs. Clifford L.], P. O. Herndon, Virginia, R. R. 2, Forestville, Fairfax Co., Virginia	1947
	Neu, Dr. Harold N., 506 No. Elmwood Rd., Omaha 3, Nebraska . . .	1952
	New, Dr. John G., Science Department, State University Teachers College, Oneonta, New York	1946
	Newberry, A[ndrew] Todd, 70 Rock Spring Rd., West Orange, New Jersey	1952
	Newill, Dr. D. S., P. O. Box 634, Connellsville, Pennsylvania	1949
EM	Newman, Robert J[ames], Zoology Department, Louisiana State University, Baton Rouge, Louisiana (1943)	1952
LF	Nice, Mrs. Margaret Morse, 5725 Harper Ave., Chicago 37, Illinois (1920)	1937
EM	Nichols, Charles K[etcham], 212 Hamilton Rd., Ridgewood, New Jersey (1931)	1948
	Nichols, Mrs. Charles K., 212 Hamilton Rd., Ridgewood, New Jersey	1933
LEM	Nichols, John Treadwell, American Museum of Natural History, 79th St. and Central Park West, New York 24, New York (1901)	1914
L	Nicholson, Donald John, 1224 Palmer St., Orlando, Florida	1947
	Nickell, Walter Prine, Cranbrook Institute of Science, Bloomfield Hills, Michigan	1941

EM	Niedrach, Robert James, Box 116-A, R. R. 3, Littleton, Colorado (1940)	1944
	Nielson, Beatrice Wise, (Rt. 1, Box 808, Nielsen Reservation), Kauffman Ave., Red Bluff, California	1949
	Niosi, Nicholas, 65 Park Ave., Bloomfield, New Jersey	1953
	Niper, Gail Broughton, [Mrs. Leonard C.], 99 Ridgewood Rd., Clifton, New Jersey	1949
	Nolan, James R., 14 Edgewood Rd., Peekskill, New York	1953
	Nolan, Thomas Brennan, U. S. Geological Survey, Washington 25, D. C.	1935
	Nolan, Dr. Val, Jr., Indiana University School of Law, Bloomington, Indiana	1952
	Noland, Mrs. Hulbert V., Indiana Hills Trail, Louisville 7, Kentucky	1954
	Noll, Edward M., Box 94, Hatboro, Pennsylvania	1956
	Nooe, Miss Sarah M., Queens College, Charlotte 7, North Carolina ..	1954
	Norby, Darwin E[mil], Department of Biology, Virginia Polytechnic Institute, Blacksburg, Virginia	1950
	Noren, Oscar B., 25415 Powers Rd., Farmington, Michigan	1947
	Norman, Edward d'A[ubigny], Box 302, Chatham, Massachusetts ...	1951
EM	Norris, Dr. Robert A[llen], (University of Georgia Ecological Studies), 1918 Hahn Ave., Aiken, South Carolina	(1939) 1953
	North, George W[ebster], 249 Charlton Ave., W., Hamilton, Ontario, Canada	1938
	Northrop, Mrs. Harson A., 358 East Main St., Owatonna, Minnesota	1952
	Northrop, Myron, 9304 Sylvan Hills Rd., North Little Rock, Arkansas	1949
	Northwood, John d'Arcy, Mill Grove, Audubon, Pennsylvania	1946
	Norton, Mrs. Donald H., Box 157, Geneva, Florida	1954
L	Novaes, Fernando [da] C[osta], Museu Paraense Emilio Goeldi, Caixa Postal 399, Belem, Pará, Brazil	1949
	Novy, Dr. Frank O., 420 S. Jefferson Ave., Saginaw 6, Michigan	1952
	Nutt, David C., Dogford Rd., Etna, New Hampshire	1938
	Nyc, Frederick F[rancis], P. O. Box 451, McAllen, Texas	1939
EM	Oakeson, Dr. Barbara Blanchard, University of California, Santa Barbara College, Goleta, California	(1947) 1951
	Oates, Mrs. Norma C., 5908 Charlotte St., Houston 5, Texas	1955
LF	Oberholser, Dr. Harry C[hurch], 2933 Berkshire Rd., Cleveland Heights, Cleveland 18, Ohio	(1888) 1902
	Oberly, Donald B., R. R. 2, Urbana, Ohio	1947
	O'Brien, Paul J[oseph], 315 Grove St., Haddonfield, New Jersey ...	1953
	O'Brien, William V., 502 Jordan, Jacksonville, Illinois	1956
	Odin, Clyde R., 1326 13th St., Bismarck, North Dakota	1957
	Odom, Babette Moore [Mrs. Edgar R.], P. O. Box 458, Orange, Texas	1949
F	Odum, Dr. Eugene P[leasants], University of Georgia, Athens, Georgia (1932)	1951
	Oehser, Paul Henry, Smithsonian Institution, Washington 25, D. C.	1940
	Oeming, Albert F., 8448-136 St., Sub. P. O. 23, Edmonton, Alberta, Canada	1954
	Ogilvie, Philip W[oodworth], Museum of Natural History, University of Kansas, Lawrence, Kansas	1956
	O'Hearn, George Henry, 62 North St., Auburn, New York	1957

	Olmstead, Rossiter D., 1323 Fern St., New Orleans 18, Louisiana	1952
	Olsen, Dr. Richard E[ilsworth], 3325 Franklin Rd., Apt. 3, Bloomfield Hills, Michigan	1949
	Olson, Leo B[ernie], 835 S. First St., Dekalb, Illinois	1949
L	Olson, Mrs. Simon [Gladys Elizabeth], 33 Harvard Dr., Lake Worth, Florida	1951
	O'Neil, Mrs. Norah Selby, 1311 Bonham St., Commerce, Texas	1948
	Orbison, Douglas Campbell, Guard Hill Rd., Mt. Kisco, New York	1947
	O'Regan, Miss Jane D., 23 Crockett Ave., Dorchester 24, Massachusetts	1955
	O'Reilly, R[alph] A[nthony], Jr., Box 132, Davisburg, Michigan	1940
	Oresman, Stephen B[erger], 15A Charles Bank Rd., Newton 58, Massachusetts	1948
	Ormondroyd, Jesse, 2104 Copley Ave., Ann Arbor, Michigan	1949
	Orr, Miss E[mma] Virginia, N. Valley Rd., Paoli, Pennsylvania	1939
EM	Orr, Dr. Robert T[homas], California Academy of Sciences, Golden Gate Park, San Francisco 18, California (1937)	1941
	Orth, John C., Trailside Museum, Bear Mountain, New York	1936
	Osgood, Dr. Howard, 675 Delaware Ave., Buffalo 2, New York	1954
	Oswald, Stanley J. D., 260 Wellington Crescent, Winnipeg, Manitoba, Canada	1954
	Overing, Robert, R. F. D. 2, Chapin, South Carolina	1929
	Owen, W[illiam] Plass, P. O. Box 516, ChulaVista, California	1957
	Owre, Oscar T[heodore], Department of Zoology, University of Miami, Coral Gables, Florida	1934
	Owsley, Dr. W. C., Jr., 6213 Chevy Chase Dr., Houston 19, Texas	1956
	Paap, Charles H., 275 Nieto Ave., Long Beach 3, California	1937
L	Pack, Arthur Newton, P. O. Box 5695, Tucson, Arizona	1929
	Packard, Christopher Moore, Portland Museum of Natural History, 22 Elm St., Portland, Maine	1952
	Packard, Fred Mallery, 24 Elizabeth Lane, Rt. 2, Fairfax, Virginia	1935
	Packard, Robert Lewis, Kansas Museum of Natural History, Lawrence, Kansas	1953
	Paeske, Gordon L., 522 12th St., Watertown, Wisconsin	1955
	Paff, Dr. William A[lfred], 2601 E. Jackson Blvd., Elkhart, Indiana	1927
	Paine, Charles J., Old Road, Weston, Massachusetts	1954
	Paine, Robert T[reat], III, 2 Hubbard Park, Cambridge, Massachusetts	1950
	Pallas, Miss Dorothy Constance, 107 Jefferson St., Wood-Ridge, New Jersey	1951
	Palmer, Paul, La Trappola, W. Mountain Rd., Ridgefield, Connecticut	1957
LF	Palmer, Dr. Ralph S[imon], New York State Museum, State Education Bldg., Albany 1, New York (1932)	1956
HL	Palmer, Samuel Copeland, Swarthmore College, Swarthmore, Pennsylvania	1899
	Palmer, Mrs. Theodore Sherman [Bertha Ellis], 1939 Biltmore St., N. W., Washington, D. C.	1918
	Palmquist, C[larance] O[scar], 834 Windsor Rd., Glenview, Illinois	1950
	Paludan, Dr. Knud, Vildtbiologisk Station, Rønde, Kalo, Denmark	1953
	Park, Charles F[rederick], Jr., Department of Geology, Stanford University, Palo Alto, California	1936

	Parker, Clarence J., 821 N. Garfield Ave., Alhambra, California	1947
	Parker, Harry C[larence], Rt. 1, Box 234-C, Alexandria, Virginia ..	1927
	Parker, Henry M[elville], Trinity Place, Wayland, Massachusetts ..	1940
EM	Parkes, Dr. Kenneth Carroll, Section of Birds, Carnegie Museum, Pittsburgh 13, Pennsylvania (1947)	1953
	Parks, Richard A., 2303 Pembroke Pl., N. E., Atlanta, Georgia	1947
	Parmalee, Dr. Paul W., Curator of Zoology, Illinois State Museum, Springfield, Illinois	1953
	Parmelee, David F[reeland], Department of Zoology, University of Oklahoma, Norman, Oklahoma	1948
	Parmeter, [Benjamin] David, Armstrong Woods Rd., Guerneville, California	1957
	Parsons, Thomas Sturges, 86 Godwin Ave., Midland Park, New Jersey	1953
	Parsons, William G., P. O. Box 386, Ely, Nevada	1954
LEM	Partridge, William H., Belgrano 363, Caseros F.C.S.M., Buenos Aires, Argentina (1953)	1956
	Patten, Harvey Lee, R. F. D. 1, Woodland Rd., Morristown, New Jersey	1957
	Patten, Dr. John A., Box 396, Department of Biology, Middle Ten- nessee State College, Murfreesboro, Tennessee	1948
	Patterson, Miss Clarice E., M. R. A., Box 300, Bangor, Maine	1952
	Paulson, C. W. Geoffrey, The Monotype Corp. Ltd., Salfords, Redhill, Surrey, England	1947
	Paulson, Dennis R[oyle], 7280 S. W. 9th St., Miami 44, Florida	1952
	Payne, Miss Rinda-Mary, Box 320, R. F. D. 4, Portland, Maine	1955
EM	Paynter, Dr. Raymond A[ndrew], Jr., Muscum of Comparative Zool- ogy, Harvard University, Cambridge 38, Massachusetts (1946)	1952
L	Peabody, James [Bishop], 2 East 62 St., New York 21, New York	1940
	Peake, Cyril Blackett, Dowling Court, Apt. 530, 99 Dowling Ave., Toronto, Ontario, Canada	1952
	Pearse, Theed, Comox, Vancouver Island, British Columbia, Canada	1926
	Pearson, Allen M[oble], P. O. Box 1031, Auburn, Alabama	1940
	Peck, Dr. George K[elday], 1030 Lakeshore Rd. E., Oakville, Ontario, Canada	1956
	Peckworth, Howard F., 114 N. Washington Ave., Batavia, Illinois	1956
	Peelle, Miles L., 1039 College Ave., Adrian, Michigan	1948
	Peffer, Mrs. Thomas A., 49 West Depot St., Hellertown, Pennsylvania	1953
	Pelch, William Edward, 5016 West 25th Place, Cicero 50, Illinois	1955
L	Pell, Walden, II, Rev., St. Andrew's School, Middletown, Delaware ..	1938
	Peloubet, Mrs. Sidney W., Moose Hill Rd., Guilford, Connecticut	1939
F	Pemberton, John Roy, 714 W. Olympic Blvd., Los Angeles 15, Cali- fornia (1918)	1953
	Penberthy, Alan H., 21 Rutland Rd., Freeport, New York	1954
	Pennington, Tully S[anford], Box 74, Collegeboro, Georgia	1952
	Pepall, Robert L., 29 Wilberton Rd., Toronto 7, Ontario, Canada	1952
	Pepper, William, 20 E. Belis Mill Rd., Philadelphia 18, Pennsylvania	1930
L	Perkins, Dr. Anne Elizabeth, 16 Sewall Rd., South Berwick, Maine	1917
	Perry, Frances, Greene, Rhode Island	1949
	Pessino, Miss Catherine M., 630 Gramatan Ave., Mt. Vernon, New York	1952

EM	Peters, Harold S[eymour], 968 Cumberland Rd., N. E., Atlanta 6, Georgia (1924)	1947
	Peters, Stuart S[anford], Department of Mines and Resources, The Wildlife Division, St. Johns, Newfoundland, Canada	1951
	Petersen, Arnold J[erome], 712 W. 3rd St., Northfield, Minnesota	1951
	Petersen, Peter C., Jr., 620 E. 30th St., Davenport, Iowa	1952
	Peterson, Alfred, Box 201, Brandt, South Dakota	1920
	Peterson, Arthur S., 40 Overlook Rd., Cedar Grove, New Jersey	1952
	Peterson, Miss Eleanor L[elia], 5400 Lake Mendota Dr., Madison 5, Wisconsin	1956
	Peterson, Lawrence M[inor], 531 South Ave., Bradford, Pennsylvania	1949
LF	Peterson, Roger Tory, Neck Road, Old Lyme, Connecticut (1929)	1948
EM	Petrides, Dr. George A[than], Michigan State College, Department of Fisheries and Wildlife, East Lansing, Michigan	(1941) 1949
LF	Pettingill, Dr. Olin Sewall, Jr., Wayne, Maine	(1930) 1947
	Pettit, Lincoln C[oles], 330 Southlawn Ave., East Lansing, Michigan	1949
	Pettock, Anne G[race], 104 North 10th St., Allentown, Pennsylvania	1950
	Peyton, Sidney Burns, R. D. 2, Box 260, Fillmore, California	1946
	Phares, John Haden, 4539 Meadow Ridge Dr., Jackson 6, Mississippi	1957
	Phelps, James H[arvey], Jr., 717 S. Fourth Ave., Pocatello, Idaho	1933
L	Phelps, Mrs. Kathleen Deery, Apartado 2009, Caracas, Venezuela, S. A.	1949
F	Phelps, William H[enry], Apartado 2009, Caracas, Venezuela, S. A. (1937)	1952
LEM	Phelps, William H., Jr., Apartado 2009, Caracas, Venezuela, S. A. (1940)	1948
	Philbrick, Miss Hazel B., 5093 Washington Blvd., St. Louis 8, Missouri	1957
LEM	Phillips, Dr. Allan R[obert], c/o L. L. Hargrave, P. O. Box 1979, Globe, Arizona	(1932) 1946
	Phillips, Homer Wayne, 2110 Morse St., Houston 19, Texas	1948
	Phillips, Richard E[dward], Fernow Hall, Cornell University, Ithaca, New York	1949
	Phillips, Richard S[tuart], 834 Liberty St., Findlay, Ohio	1946
	Phillips, William B., 166 East 96th St., New York 28, New York	1950
	Pickens, A[ndrew] L[ee], Presbyterian Junior College, Maxton, North Carolina	1949
	Pickering, Robert, 66 Menno St., Waterloo, Ontario, Canada	1948
	Pielou, William P., 1549 Ann St., East Lansing, Michigan	1953
	Pieratt, James F., 6810 Hendon Lane, Sharpstown, Bellaire, Texas	1955
EM	Pierce, Fred John, Winthrop, Iowa	(1948) 1950
L	Pierce, Robert Allen, 1222-80th St., West Des Moines, Iowa	1941
	Pigot, Bruce Coffin, Mt. Stewart, Prince Edward Island, Canada	1956
EM	Pirnie, Dr. Miles D., Conservation Bldg., Michigan State University, East Lansing, Michigan	(1919) 1937
F	Pitelka, Dr. Frank A[lois], Museum of Vertebrate Zoology, University of California, Berkeley 4, California	(1937) 1948
	Pittman, James A[llen], 1006-19th St. S., Birmingham, Alabama	1947
EM	Plath, Karl, 114 S. East Ave., Oak Park, Illinois	(1925) 1950
	Platt, Dwight Rich, Department of Biology, Bethel College, North Newton, Kansas	1953
	Platt, William, 216 Rodgers Forge Rd., Baltimore 12, Maryland	1949
	Plimpton, Sarah, 1165 Fifth Ave., New York 29, New York	1957

HL	Poe, Miss Margaretta, Earl Court, St Paul and Preston Sts., Baltimore, Maryland	1899
	Pomeroy, F[red] E[lmer], 342 College St., Lewiston, Maine	1920
	Poole, Cecil A[very], 1764 Topeka Ave., San Jose 26, California	1941
EM	Poole, Dr. Earl L[incoln], Public Museum, Reading, Pennsylvania	(1916) 1942
	Poole, Frederick Parsons, R. F. D. 1, Box 391, Westbrook, Maine	1954
LEM	Poor, Hustace Hubbard, 7 Colonial Court, New Canaan, Connecticut	(1934) 1950
	Pope, Lillian Gorzycki, Ruta Rural 1, Buzón No. 38, Río Piedras, Puerto Rico	1948
	Porter, Eliot F[urness], Rt. 1, Box 33, Santa Fe, New Mexico	1947
	Porter, Richard Dee, Big Bend National Park, Texas	1948
	Porter, Dr. T[homas] Wayne, Department of Zoology, Michigan State University, East Lansing, Michigan	1937
	Pospichal, Leo B., Box 191, Algonac, Michigan	1952
	Potter, Beatrice B[rown] [Mrs. George C.], 2111 Malvern Road, Charlotte 7, North Carolina	1948
	Potter, David M[orris], 1557 Timothy Dwight College, Yale University, New Haven, Connecticut	1946
EM	Potter, Julian K[ent], 437 Park Ave., Collingswood, New Jersey (1912)	1944
	Potter, L[ouis] Henry, R. D. 1, West Rutland, Vermont	1922
	Potter, N[athan] S., III, Rt. 5, Huntington, New York	1952
L	Potts, F[red] A[ndrew], 404 S. Main St., Waupaca, Wisconsin	1922
LEM	Pough, Richard H[oooper], 33 Highbrook Ave., Pelham, New York	(1922) 1947
	Powers, Miss Myrtle M., Western Michigan College, Kalamazoo, Michigan	1956
	Powles, Percival M[ount], Zoology Department, University of Western Ontario, London, Ontario, Canada	1952
	Prather, Mrs. Elizabeth H[unt], 400 Center Ave., Westwood, New Jersey	1951
	Prather, Millard F[illmore], P. O. Box 559, Fairfield, Alabama	1939
	Pray, Russell H[arvey], 662 Santa Rosa Ave., Berkeley 7, California	1949
FE	Preble, Edward A[lexander], 3027 Newark Street, N. W., Washington, D. C.	(1892) 1935
	Preisick, G. Roger, 23 Westminster Rd., Baldwin, New York	1955
	Prendergast, J[ames] Stafford, Eden Hill, Tyrone, Pennsylvania	1949
	Prescott, Dr. Kenneth Wade, Kansas City Museum, 3218 Gladstone Blvd., Kansas City, Missouri	1947
	Preston, Charles Putnam, 1734 South Oval Dr., Sarasota, Florida ..	1954
EM	Preston, Dr. F. W., Box 149, Butler, Pennsylvania	(1952) 1956
	Prestwich, Arthur A[lfred], 61 Chase Rd., Oakwood, London N. 14, England	1949
	Primley, Walter S., c/o American Chicle Co., 405 Lexington Ave., New York 17, New York	1934
	Pringle, Cornelia C[ovington], 1816 Vallejo St., San Francisco 23, California	1950
	Prior, E. Gertrude, Sweet Briar, Virginia	1947
L	Procter, Mrs. Lillian S[anford], Williamstown, Massachusetts	1928

	Prosser, Albert L[aurence], Box H., Springvale, Maine	1951
	Pruitt, Mrs. William O., Jr., (Erna N[auert]), Box 282, College, Alaska	1948
	Psychodko, Dr. W[illiam], c/o Detroit Institute of Cancer Research, 4811 John R. Street, Detroit 1, Michigan	1954
	Puett, Miss May W[ilson], P. O. Box 2183, Greenville, South Carolina	1952
	Puleston, Dennis, Brookhaven National Laboratory, Upton, Long Island, New York	1956
	Pulich, Warren M[ark], 2021 Rosebud Dr., Irving, Texas	1949
	Putman, William L[loyd], Dominion Entomological Laboratory, Vine- land Station, Ontario, Canada	1937
	Putnam, Loren Smith, Department of Zoology, Ohio State University, Columbus 10, Ohio	1942
	Pyle, Jean G., 1614 Walnut St., Berkeley, California	1952
	Pyle, Dr. Lewis W[illiam], Department of Chemistry, Allegheny Col- lege, Meadville, Pennsylvania	1954
	Pyle, Robert L[awrence], 6117 Radford Dr., Seattle 15, Washington	1953
	Quay, Dr. Bill [Wilbur Brooks], Department of Zoology, University of California, Berkeley 4, California	1945
	Quay, Dr. Thomas L., Zoology Department, North Carolina State College, Raleigh, North Carolina	1942
	Queeny, Edgar M[onsanto], Route 13, Kirkwood, Missouri	1950
	Quilliam, Mrs. C. D. [Helen R.], R. R. 1, Kingston, Ontario, Canada	1954
	Rabor, Dioscoro S[iarot], Silliman University, Dumaguete City, Negros Oriental, Philippines	1951
EM	Racey, Kenneth, 6542 Lime St., Vancouver, British Columbia, Canada	(1921) 1950
	Radford, Keith Warren, Department of Biological Sciences, San Jose State College, San Jose 14, California	1957
	Raitt, Ralph J., Jr., Museum of Vertebrate Zoology, University of California, Berkeley 4, California	1955
	Ramsay, A[lfred] Ogden, McDonogh School, McDonogh, Maryland	1949
	Ramsey, D. Hiden, Box 8115, Ashville, North Carolina	1954
	Ramsey, Ralph L., 1578 N. Decatur Rd., Atlanta 6, Georgia	1947
F	Rand, Dr. Austin L[oomer], Chicago Natural History Museum, Roosevelt Rd. and Lake Shore Dr., Chicago 5, Illinois	(1927) 1943
L	Randall, Clarence B[elden], 700 Blackthorn Rd., Winnetka, Illinois	1948
	Randall, Robert N[cal], 928 Sixteenth St., Bismarck, North Dakota	1939
	Randolph, Evan, Corner of Seminole and Chestnut Aves., Phila- delphia 18, Pennsylvania	1949
	Rankin, Henry A[shby], Jr., Box 803, Fayetteville, North Carolina	1952
LEM	Rapp, Dr. William Frederick, Jr., 430 Ivy Ave., Crete, Nebraska (1939)	1950
L	Raymond, Olney M[artin], 129 Lincoln Place, Brooklyn 24, New York	1930
	Raynor, Gilbert S[idney], Wading River Rd., Manorville, Long Island, New York	1937
	Rea, Gene, 251 Leland Ave., Columbus 1, Ohio	1954
L	Read, Bayard W[hitney], Upper Dogwood Lane, Rye, New York	1949
	Read, Commander Duncan H., Middleburg, Virginia	1946
	Read, S[imon] H. Jervis, British Embassy, Teheran, Iran	1955
L	Rebmann, G[odfrey] Ruhland, Jr., 729 Millbrook Lane, Haverford, Pennsylvania	1948

	Redjives, C[asimir] F[rancois], 881 Washington Ave., Brooklyn 25, New York	1949
	Reece, Maynard, 3405 50th St., Des Moines 10, Iowa	1948
	Reed, Edward B., Department of Biology, University of Saskatchewan, Saskatoon, Canada	1953
	Reed, Parker Crosby, 27 Hayes Ave., Lexington 73, Massachusetts	1948
	Reese, Dr. Carl R[ichard], The Ohio State University, Department of Zoology and Entomology, Columbus 10, Ohio	1953
	Reeves, Henry M[ilton], Box 1786, 1213 W. Harrison St., Harlingen, Texas	1955
	Regennas, Charles H[enry], Jr., 130 W. Lemon St., Lititz, Pennsylvania	1950
	Rehfish, Carol, c/o Morse Erskine, 233 Chestnut St., San Francisco 11, California	1948
HL	Rehn, James Abram Garfield, Academy of Natural Sciences, Logan Square, Philadelphia, Pennsylvania	1901
	Reichert, Mrs. R[obert] J[acob] [Elsa], 14 West First St., Mount Vernon, New York	1950
	Reid, Mrs. Bruce [Bessie M.], Box 883, Silsbee, Texas	1918
	Reid, Neil J., 4819 A 28th St., S., Arlington 6, Virginia	1953
	Reid, William A., 38 South 2nd. West, Brigham City, Utah	1956
	Reilly, Dr. Edgar M[ilton], Jr., P. O. Box 34, Old Chatham, New York	1947
	Reith, Marie, 120-05 Long St., Jamaica 5, New York	1952
	Restivo, Ernest Joseph, 423 Third St., Brooklyn 15, New York	1957
L	Rett, Egmont Z[achary], Santa Barbara Museum of Natural History, Santa Barbara, California	1940
	Reynard, George B[erger], 728 Parry Ave., Palmyra, New Jersey	1950
	Reynolds, Dr. Harold C., Museum of Vertebrate Zoology, University of California, Berkeley 4, California	1947
	Reynolds, Dr. T. Eric, 140 Estates Drive, Piedmont 11, California	1941
	Reynolds, Temple A., Biology Building, University of Utah, Salt Lake City 12, Utah	1957
	Reynolds, Thomas George, 92 Pine Ridge Rd., Pine Ridge, Media, Pennsylvania	1952
	Rice, Dale W[arren], Box 1, U. S. Naval Station, Navy 3080, c/o Fleet Post Office, San Francisco, California	1949
	Rice, Ward J[ennings], 5250 N. Pennsylvania St., Indianapolis 20, Indiana	1913
	Rich, Mrs. Eva, 150 W. 80th St., New York 24, New York	1946
	Richards, Dr. John W[atson], R. F. D. 1, Emmitsburg, Maryland	1953
	Richards, Tudor, "Hurricane Farm," Keene, New Hampshire	1949
	Richardson, David L[ord], Eastern Point, Gloucester, Massachusetts	1949
L	Richardson, Flora S. [Mrs. W. D.], 4318 Oakenwald Ave., Chicago 15, Illinois	1925
	Richardson, Dr. Frank, Department of Zoology, University of Washington, Seattle, Washington	1939
	Richter, Carl H., 703 Main St., Oconto, Wisconsin	1939
	Richter, Dr. G[orge] William, Guide Bldg., Canfield, Ohio	1951
	Rickert, Jon Edward, 629 South Woodlawn Ave., Bloomington, Indiana	1957

	Ricks, John T[homas], East Gate Road, Lloyd Harbor, Huntington, Long Island, New York	1951
	Ridgely, Dr. Beverly S[ellman], 28 Everett Ave., Providence 6, Rhode Island	1949
	Riedel, Marguerite Meta, 615 East Court St., Seguin, Texas	1956
	Riley, Mrs. Gerard C., Box 239, Churchville, Pennsylvania	1956
LF	Ripley, Dr. S[idney] Dillon, II, Peabody Museum of Natural History, Yale University, New Haven 11, Connecticut	(1938) 1951
	Rising, Gerald R[ichard], 72 Allen's Creek Rd., Rochester 18, New York	1952
	Rising, James David, 4406 Sunrise Dr., Kansas City 23, Missouri	1956
	Ritchie, Dr. Robert C[hables], Mansefield Farm, R. R. 2, King, Ontario, Canada	1944
LEM	Robbins, Chandler Seymour, Patuxent Research Refuge, Laurel, Mary- land	(1944) 1949
	Robbins, Chandler, Jr., 7128 Point of Rocks Circle, Sarasota, Florida	1934
	Robbins, Mrs. Eleanor C., Patuxent Research Refuge, Laurel, Mary- land	1939
	Roberts, Bertrand, 6951 33rd St., N. W., Washington 15, D. C.	1944
	Roberts, Mrs. Frances F., 1134 Glendon Ave., Los Angeles 24, Cali- fornia	1941
	Roberts, Harold D[avis], 610 Harrison St., Black River Falls, Wis- consin	1949
	Roberts, H[oward] Radclyffe, Box 490, Bryn Mawr, Pennsylvania ..	1924
HL	Roberts, William Ely, 29 W. Stratford Ave., Lansdowne, Pennsylvania	1902
EM	Robertson, John McB[riar], 1677 W. 9th St., Pomona, California (1920)	1948
	Robertson, Dr. William B[eckwith], Jr., Route 2, Box 83-C, Home- stead, Florida	1955
	Robins, Dr. C[hables] Richard, The Marine Laboratory, University of Miami, Coral Gables, Florida	1948
	Robinson, Lucile W., Route 2, Box 199, Boring, Oregon	1951
	Robinson, Thane S[parks], Department of Biology, Western Michigan College, Kalamazoo, Michigan	1952
	Rockefeller, William A[very], Room 1301 Lincoln Bldg. 60 East 42nd St., New York 17, New York	1949
	Roesler, M[ax] Stuart, June Road, Cos Cob, Connecticut	1949
	Roesler, Mrs. M[ax] Stuart [Carol S.], June Road, Cos Cob, Con- necticut	1949
	Roest, Dr. Aryan I., Biological Sciences, California State Polytechnic College, San Luis Obispo, California	1954
	Rogan, Mrs. Francis E. [May L.], 327 South 12th East, Salt Lake City 2, Utah	1953
LEM	Rogers, Charles H[enry], East Guyot Hall, Princeton, New Jersey (1904)	1921
L	Rogers, Major Gerald [Talbot], 643 N. Beachview, Ft. Walton Beach, Florida	1941
	Rogers, [Henry] Thomas, E. 10820 Maxwell, Opportunity, Washington	1947
	Rogers, John Mather, 17 Phelps St., Binghamton, New York	1938
	Rogers, John P[atrick], Stephens Hall, University of Missouri, Colum- bia, Missouri	1953

	Rogers, Dr. Kay T[owbridge], Department of Zoology, Oberlin College, Oberlin, Ohio	1949
	Rogers, Dr. T. E., Department of Biology, Cornell College, Mount Vernon, Iowa	1956
	Rogers, Rev. Wallace, 715 Ellsworth Drive, N. W., Atlanta, Georgia	1921
	Rogers, Mrs. Walter E., 911 E. North St., Appleton, Wisconsin	1932
	Rokosky, Emil J[ames], Racine Zoological Park, 2131 N. Main St., Racine, Wisconsin	1949
	Rolle, Francis J., Box 95, Aguadilla, Puerto Rico	1956
L	Rollin, Noble, Primrose Cottage, Glanton, Northumberland, England	1946
	Romaine, Mrs. Lawrence B., Weathercock House, Middleboro, Massachusetts	1954
	Rooney, James, Jr., 1514 S. 12th Ave., Yakima, Washington	1943
	Root, Oscar M[itche]ll, Brooks School, North Andover, Massachusetts	1940
	Root, Richard Bruce, 265 Ann St., Plymouth, Michigan	1956
	Rosche, Richard C., 48 Dartmouth Ave., Buffalo 15, New York	1954
	Rose, W[illiam] C[umming], 710 W. Florida Ave., Urbana, Illinois	1950
	Rosegay, Mary Louise [Mrs. Harold], c/o Major H. Rosegay, Fitzsimons Army Hospital, Denver, Colorado	1942
	Rosenthal, Dr. Morton Lawrence, 264-17 Grand Central Parkway, Little Neck, New York	1953
	Rosin, Katharine S. [Mrs. Axel G.], 691 W. 247th St., New York 71, New York	1955
	Ross, Aaron B[elnap], 3417 Fillmore Ave., Ogden, Utah	1947
	Ross, C[harles] Chandler, 710 Wolcott Dr., Philadelphia 18, Pennsylvania	1936
	Ross, Hollis T[revor], 29 S. 2nd St., Lewisburg, Pennsylvania	1947
L	Ross, J[ames] B[rent], 1121 Green Briar Rd., Barclay Farm, Haddonfield, New Jersey	1949
L	Ross, Mrs. Mary Reeve Spear, 455 E. Ridge St., Marquette, Michigan	1954
	Ross, Reuben J., P. O. Box 190, Georgetown, Connecticut	1922
	Ross, Roland C., 1820 Bushnell Ave., South Pasadena, California ...	1925
	Rothschild, Brian James, 1224 Clinton Ave., Irvington 11, New Jersey	1955
	Rowinski, Ludwig J., Box 86, College, Alaska	1947
	Rowley, J[ohn] Stuart, 305 Sequoia Dr., Pasadena 2, California	1930
	Rubendall, Elizabeth, 822 W. 5th, Topeka, Kansas	1947
	Rubey, William W., 5216 Westwood Dr., Washington 16, D. C.	1933
	Rudd, Dr. R[obert] L., Department of Zoology, University of California, Davis, California	1939
	Rudolph, Royston R[ice], Jr., New Holland, North Carolina	1949
	Rumsey, Dr. William Lacy, 1336 North Ave., Elizabeth 3, New Jersey	1953
	Runk, Alfred E., Ramsey, New Jersey	1952
	Ruos, James Leigh, Room 202, Chem-Zoology Building, University of Wyoming, Laramie, Wyoming	1957
	Russak, Maurice L[ouis], 1675 Metropolitan Ave., New York 62, New York	1951
	Russell, Dr. L[oris] S[hano], National Museum of Canada, Ottawa, Ontario, Canada	1951
	Russell, Rosemary, 25 Kenwood Rd., Tenafly, New Jersey	1953

	Russell, Stephen M[ims], 267 East Valley St., Abingdon, Virginia ...	1949
	Ruth, Miss Edna L., 302 West Second St., Halstead, Kansas	1956
	Rutter, Russell J[ames], Box 794, Huntsville, Ontario, Canada	1928
	Ryder, Ronald A[rch], Biology Department, Wartburg College, Waverly, Iowa	1949
	Rylander, [Michael] Kent, 420 Market, Galveston, Texas	1953
	Ryser, Dr. Fred A., Jr., Assistant Prof. Biology, Nevada Southern, Box 2267 Huntridge Station, Las Vegas, Nevada	1951
	Sabin, Walton B., 652 Kenwood Ave., Slingerlands, New York	1942
	Sage, Bryan Leonard, 11 Deepdene, Potters Bar, Middlesex, England	1957
	Sage, Evan V., R. R. 3, Waterloo, Iowa	1947
	Sallee, Roy M., Department of Biology, Western Illinois State Teachers College, Macomb, Illinois	1931
	Salt, Dr. George William, Division of Zoology, University of California, Davis, California	1947
	Salyer, John, 4273 Menlo Ave., San Diego 15, California	1957
	Sample, Marian [Mrs. Frank], 252 Cunningham Dr., Colorado Springs, Colorado	1956
	Sampson, Dr. Edward, Guyot Hall, Princeton, New Jersey	1936
	Sampson, W[alter] B[ehnard], 1005 N. San Joaquin St., Stockton, California	1922
	Sanborn, Alvah W., Pleasant Valley Sanctuary, Lenox, Massachusetts	1946
	Sanchez-Mejorada, Carlos, Jr., Montes Urales 632, Mexico 10, D. F., Mexico	1942
	Sandford, William F[oster], 87 Main St., Matawan, New Jersey	1951
	Sands, James Lester, 2917 Franciscan N. E., Albuquerque, New Mexico	1955
	Sanger, Mrs. Marjory Bartlett, 155 Newbury St., Boston 16, Massa- chusetts	1955
	Sather, Carlyle Wilmar, 7880 Mission St., Colma, California	1953
	Sather, J. Henry, Department of Biological Sciences, Western Illinois State College, Macomb, Illinois	1956
	Satter, John M[arcus], 4500 Millersville Rd., Indianapolis 5, Indiana	1952
	Satterly, Jack, 100 Castlewood Road, Toronto 12, Ontario, Canada	1947
	Sauer, Dr. Gordon C[henoweth], 425 E. 63rd St., Kansas City 10, Missouri	1948
	Saugstad, N. Stanley, R. R. 4, Minot, North Dakota	1945
F	Saunders, Aretas Andrews, Box 141, Canaan, Connecticut	(1907) 1950
EM	Saunders, Dr. George B[radford], Fish and Wildlife Service, 624 Peachtree, Seventh Bldg., Atlanta 5, Georgia	(1925) 1947
	Saunders, Richard M[errill], 9 McMaster Ave., Toronto, Ontario, Canada	1935
	Savery, Don B[rooks], 8630 Chilson Rd., R. F. D. 1, Brighton, Michi- gan	1953
	Savile, Dr. D[ouglas] B[arton] O[sborne], 6 Oakland Ave., Ottawa, Ontario, Canada	1949
	Sawyer, Dorothy M[ay], 419 Euclid Ave., Syracuse, New York	1936
	Sawyer, Ernest Walker, 425 North June St., Los Angeles 4, California	1954
	Scattergood, Leslie W[ayne], Fish and Wildlife Service, West Boothbay Harbor, Maine	1949
	Schaefer, Oscar Frederick, 825 Merchants Rd., Rochester 9, New York	1916

	Schaffner, Art, 170 Laurel St., Buffalo 8, New York	1957
	Schaller, George Beals, 1315 Drake St., Madison, Wisconsin	1953
	Scharffenberg, R[ichard] S[hirley], 511 Boyd Ct., Washington 12, D. C.	1950
	Schaughency, C[hables] B[ertram], Village Rd., Green Village, New Jersey	1949
	Scheetz, Mrs. Francis H[arley], [Virginia S.], 15 W. Old Gulph Rd., Gladwyne, Pennsylvania	1948
	Schemnitz, Sanford David, Oklahoma Cooperative Wildlife Research Unit, Oklahoma A and M College, Stillwater, Oklahoma	1957
	Schetty, Frank R[obert], 237 La Salle Ave., Hasbrouck Heights, New Jersey	1951
	Schmidt, Thomas B., Jr., 3700 Sharon St., Harrisburg, Pennsylvania	1947
	Schmittner, Stella Marie, Zoology Department, Colorado College, Colorado Springs, Colorado	1957
	Schneider, Robert Wayne, 41 Laurel St., Fort Collins, Colorado	1957
	Schnell, Jay H[elmut], 1503 Bethlehem Pike, Flourtown, Pennsylvania	1952
	Schnitzer, Albert, 155 Wild Hedge Lane, Mountainside, New Jersey	1945
	Scholes, Robert T[hornston], U. S. O. M. La Paz, Department of State, Washington 25, D. C.	1948
LF	Schorger, Dr. Arlie William, 163 N. Prospect Ave., Madison, Wis- consin	(1913) 1951
	Schreiber, Ralph Walter, 1471 Cleveland Rd., Wooster, Ohio	1957
	Schubert, Maxwell, 445 E. 68 St., New York 21, New York	1956
I.	Schultz, Albert B[rigelow], Jr., Penryn Park, Port Hope, Ontario ..	1948
	Schumm, William G., 302 C St., La Porte, Indiana	1944
	Schwab, Larry, Kingwood, West Virginia	1955
	Schwartz, C[hables] W[alsh], 131 Forest Hill, Jefferson City, Missouri	1951
	Schwartz, Paul A., Apartado 1766, Caracas, Venezuela	1952
	Schwartz, Herbert F[erdinando], American Museum of Natural History, Central Park West at 79th St., New York, New York	1925
	Schweitzer, Robert David, 1 Blackstone Pl., Riverdale 71, New York, New York	1954
	Sciple, George W[ashington], King County Hospital, 1511 Lander St., Seattle 44, Washington	1949
	Scotland, Dr. Minnie B[rink], 42 Continental Ave., Cohoes, New York	1936
L	Scott, Mrs. Frank A[rthur], 1508 La Loma Ave., Berkeley 8, California	1954
	Scott, Frederic R[obert], 115 Kenndale Lane, Richmond 26, Virginia	1943
	Scott, Dr. Oliver R[onald], 437 E. 13th St., Casper, Wyoming	1936
	Scott, Dr. Thomas G[eorge], Game Specialist and Head, Section of Game Research and Management, Illinois Natural History Sur- vey, Urbana, Illinois	1938
	Scott, Walter E[dwin], 1721 Hickory Drive, Madison 5, Wisconsin ..	1937
	Seale, David E[dwin], 724 Napoleon St., Rockford, Illinois	1954
	Seaman, G. A., Box 472 - Christiansted, St. Croix, Virgin Islands	1957
	Seamans, James O., Aicott Rd., Concord, Massachusetts	1957
	Scars, Joseph Alden, Hillside Rd., Northbrook, Illinois	1934
	Seeber, Edward L., 213 Columbia St., Ithaca, New York	1943
	Seely, Warner, 2171 Middlefield Rd., Cleveland Heights 6, Ohio	1948
	Sefton, J[oseph] W[eller], Jr., San Diego Trust and Savings Bank, Box 1871, 638 F. St., San Diego 12, California	1922

	Sehl, Robert H., 7027 Hegerman St., Philadelphia, Pennsylvania	1949
	Seibert, Dr. Henri C[levet], Ohio University, Athens, Ohio	1934
	Seibert, Robert F[redrick], 17 Canoe Brook Rd., Short Hills, New Jersey	1949
	Seiple, Stanley J., Grove City College, Grove City, Pennsylvania	1927
	Seiter, Floyd B., Box 113, New Haven, Michigan	1956
	Selander, Dr. Robert K[eith], Department of Zoology, University of Texas, Austin 12, Texas	1952
	Selby, Gertrude Pettit [Mrs. James A.], Lookout Point, Ridgeville, Ontario, Canada	1947
	Sener, Ruth, 233 Charlotte St., Lancaster, Pennsylvania	1949
	Serle, Dr. William, 64 Strathearn Rd., Edinburgh 9, Scotland	1955
L	Shackleton, Walter H[odge], R. R. 1, Box 76A, Prospect, Kentucky	1946
	Shadle, Dr. Albert R[ay], 143 University Ave., Buffalo 14, New York	1928
	Shadowen, Herbert Edwin, Box 588 Louisiana Polytechnic Institute, Ruston, Louisiana	1956
	Shaffer, Chester M[onroe], Route 2, Box 538-G, Winter Haven, Florida	1940
	Shaftesbury, Dr. Archie D., Woman's College, University of North Carolina, Greensboro, North Carolina	1937
	Shanley, Mrs. Mary A., c/o Pitometer Co., 50 Church St., New York 17, New York	1952
	Sharp, Barton L[amar], 201 N. Broad St., Lititz, Pennsylvania	1931
	Sharp, Lucy Jane, Department of Zoology, Southern Illinois University, Carbondale, Illinois	1957
	Shaub, Benjamin Martin, 159 Elm St., Northampton, Massachusetts	1947
	Shaughnessy, Winslow M., 657 Forest Ave., Glen Ellyn, Illinois	1953
HLEM	Shaver, Dr. Jesse M[ilton], 1706 Linden Ave., Nashville 12, Ten- nessee (1924)	1932
	Shaw, Miss Catherine D., 5191½ N. Gramercy Place, Los Angeles, California	1954
L	Shaw, Henry S[outhworth], 3048 Renatta Drive, Largo, Florida	1916
	Shearer, Dr. Amon R[obert], Mont Belvieu, Chambers Co., Texas . .	1905
	Sheehan, Robert R[aymond], 815 Classen St., Norman, Oklahoma . .	1952
L	Sheffler, William J[ames], 4731 Angeles Vista Blvd., Los Angeles, California	1928
	Sheldon, Esther Almy, South Lansing, New York	1954
	Sheldon, Dr. William G[ulliver], Wildlife Department, University of Massachusetts, Amherst, Massachusetts	1950
	Shellenberger, Emmett L., Akron Museum of Natural History, 500 Edgewood Ave., Akron 7, Ohio	1954
	Shelton, Lawrence Andrew, P. O. Box 431, Battle Mountain, Nevada	1956
	Shelton, Leonard A[gee], 313 First National Bldg., Pomona, California	1947
	Shetler, Stanwyn Gerald, Department of Botany, Cornell University, Ithaca, New York	1955
	Shepard, Frank P[arsons], Jr., Meadow Lane, Greenwich, Connecticut	1950
	Shepherd, Prentiss, Jr., 80 Court St., Exeter, New Hampshire	1946
	Shepherd, William M[artin], Box 414, Kenner, Louisiana	1952
	Short, Lester L[eRoy], Jr., Fernow Hall, Cornell University, Ithaca, New York	1952
	Short, Wayne, 1130 Fifth Ave., New York 28, New York	1943

EM	Shortt, Terence Michael, Royal Ontario Museum of Zoology, Toronto, Ontario, Canada (1931)	1943
	Shoup, Herald H., Box 133, Middlebury, Indiana	1957
	Shreve, Benjamin, 29 Chestnut St., Salem, Massachusetts	1933
LF	Sibley, Dr. Charles G[ald], Fernow Hall, Cornell University, Ithaca, New York (1939)	1955
	Sibley, Fred C[hables], R. D. 1, Alpine, New York	1954
	Sick, Dr. Helmut, Fundacao Brasil Central, Avenida Nilo Pecanha 23 III, Rio de Janeiro, Brasil	1947
	Sieger, Miss Vera E., 10058 Aurora Ave., Detroit 4, Michigan	1954
	Simkin, Donald W., Box 681, Ontario Agriculture College, Guelph, Ontario, Canada	1956
L	Simmons, Edward McIlhenny, Avery Island, Louisiana	1941
L	Simmons, Grant G[ilbert], Jr., Lake Ave., Greenwich, Connecticut	1948
L	Simmons, Grant G[ilbert], Sr., Wiccafold, Greenwich, Connecticut ..	1949
	Simmons, Mrs. William W. [Amelia], 2742 N. Maryland, Milwaukee II, Wisconsin	1946
	Simon, Stephen W[istar], Blue Mount Rd., Monkton, Balto County, Maryland	1948
	Simpson, James M., 4249 N. 34 St., Phoenix, Arizona	1957
	Simpson, Dr. Thomas W., 601 Reynolds Bldg., Winston-Salem, North Carolina	1936
	Singh, Ram S[hwar], Museum of Natural History, Georgetown, British Guiana	1946
	Singleton, A[lbert] Roland, 3968 Marburg Ave., Cincinnati 9, Ohio	1947
	Sisson, Mrs. Clyde [Kay Curtis], 1617 Tanglewood Rd., Columbia 4, South Carolina	1951
	Skaggs, Merit B[ryan], Dodd Rd., Route 3, Willoughby, Ohio	1951
	Skillen, Dr. Donald R[alph], 419 Garfield Ave., South Pasadena, California	1929
LF	Skutch, Dr. Alexander F[rank], Finca "Los Cusingos," San Isidro del General, Costa Rica (1930)	1946
	Slack, Miss Mabel, 1004 Everett Ave., Louisville, Kentucky	1937
	Sladen, Dr. William J. L., c/o Dr. Curt Richter, Johns Hopkins Hospital, Baltimore 5, Maryland	1956
	Slater, Miss H. Elizabeth, Churchton, Maryland	1953
L	Slater, H. N., Ridgeland, South Carolina	1949
	Sloan, Norman Frederick, 521 Fair St., Roseburg, Oregon	1955
	Slocum, Mrs. J. Fred [Mable Oggesen], 29 Park St., Buffalo 1, New York	1951
	Small, Arnold, 3028 Cavendish Dr., Los Angeles 64, California	1953
	Smalley, Alfred Evans, Marine Biology Laboratory, Sapelo Island, Georgia	1947
	Smart, Robert W[illiam], New Hampton School, New Hampton, New Hampshire	1957
	Smiley, A[lbert] K[eith], Jr., Mohonk Lake, Ulster Co., New York	1928
	Smiley, Daniel, Mohonk Lake, New York	1928
	Smith, Allen G[ordon], Fish and Wildlife Service, Box 603, Brigham City, Utah	1948
	Smith, Earl R., Station B., Box 5271, New Orleans, Louisiana	1924

	Smith, E[lla] Esther, Box 462, Murphysboro, Illinois	1949
	Smith, Miss Emily D[innin], 19651 Glen Una Dr., Los Gatos, California	1930
L	Smith, George A[rthur], 211 E. Avondale Rd., Greensboro, North Carolina	1942
	Smith, Gerald Ray, 921 South 8th East, Salt Lake City 2, Utah	1957
	Smith, Dr. Harry M[adison], 1602 State St., Columbus, Indiana	1938
	Smith, Mrs. Herman Dunlap [Ellen Thorne], 121 Stone Gate Rd., Lake Forest, Illinois	1936
HL	Smith, Horace G[ardner], 1475 St. Paul St., Denver 6, Colorado	1888
	Smith, Miss Marion L[ucille], 429 S. Willard St., Burlington, Vermont	1950
	Smith, Melvin Charles, 1916 Fairview Blvd., Winston-Salem, North Carolina	1957
	Smith, Neal G., 1751 E. 29th St., Brooklyn 29, New York	1957
	Smith, Orion O., 2911 Spring Creek Rd., Rockford, Illinois	1939
	Smith, Mrs. Otis H. [Anna Margaret], 207 Alexander Ave., Larkspur, California	1947
	Smith, P. William, Jr., P. O. Box 735, Pasadena, California	1956
	Smith, Dr. Robert B. W., 424 Windsor St., Silver Spring, Maryland ..	1953
	Smith, Robert Irvin, 1712 College Apts., Logan, Utah	1955
	Smith, Robert L., Department of Science and Mathematics, State University Teachers College, Plattsburgh, New York	1944
	Smith, Robert Leland, U. S. Geological Survey, G. and P., Wash- ington 25, D. C.	1952
	Smith, Miss Sally, Poughkeepsie High School, Forbes St., Poughkeepsie, New York	1956
	Smith, S[tuart] Craig, 46 18th Ave., Sea Cliff, New York	1955
	Smith, W. John, 40 Roslyn Ave., Ottawa 1, Ontario, Canada	1957
LEM	Smith, Wendell Phillips, 711 Kensington Ave., North Wilkesboro, North Carolina	(1919) 1937
	Smith, William Walter, 673 Milverton Blvd., Toronto 6, Ontario, Canada	1947
	Smithe, Frank B., 7 Center Drive, Douglaston 63, Long Island, New York	1949
	Smithe, F[rank] Norton, 647 E. 14th St., Apt. 4H, New York 9, New York	1947
	Smithers, Reay H. N., National Museum of Southern Rhodesia, P. O. Box 240, Bulawayo, S. Rhodesia, Africa	1953
	Smolker, Robert E[lmer], Department of Natural Science, Michigan State University, East Lansing, Michigan	1952
	Smooker, George D[ouglas], c/o Royal Bank of Canada, West End Branch, Cockspur St., London S. W. 7, England	1926
	Smyth, Dr. Thomas, State Teachers College, Shippensburg, Penn- sylvania	1921
	Snapp, Mrs. R[oscoe] R[aymond], 310 W. Michigan Ave., Urbana, Illinois	1947
	Snider, Mrs. Patricia Rae, 3620 Gold St., Apt. 3, Los Alamos, New Mexico	1955
	Snyder, Dr. Dana Paul, Department of Zoology, University of Massachusetts, Amherst, Massachusetts	1947

EM	Snyder, Dorothy E[astman], The Peabody Museum, Salem, Massachusetts (1943)	1955
F	Snyder, L[ester] L[yenne], Royal Ontario Museum, 100 Queen's Park, Toronto, Ontario, Canada (1919)	1947
	Snyder, Mildred O., 2210 Oswego Ave., Aurora, Colorado	1955
	Solman, Dr. Victor E[dward] F[rick], Canadian Wildlife Service, Department of Northern Affairs and National Resources, Ottawa, Ontario, Canada	1952
	Sommers, Roderic W., 38 Franklin St., Medford 55, Massachusetts	1957
F	Soper, J[oseph] Dewey, 7115 81st. Street, Edmonton, Alberta, Canada (1918)	1949
L	Sorrill, Anna Marie [Mrs. Tom], R. R. 1, Ursa, Illinois	1948
	Soulen, Thomas Kay, 227 North James St., Waukesha, Wisconsin	1957
	Southern, William Edward, 614 Prairie St., Clare, Michigan	1955
	Sparke, Richard W[arwick], 157 Archer St., Shreveport 64, Louisiana	1952
	Sparkes, Miss Vera E[lizabeth], 2417 Lyndale Ave. N., Minneapolis 11, Minnesota	1954
L	Speirs, Mrs. Doris Huestis, "Cobble Hill," R. R. 2, Pickering, Ontario, Canada	1937
	Speirs, Dr. J[ohn] Murray, "Cobble Hill," R. R. 2, Pickering, Ontario, Canada	1935
	Spence, Matthew J., 533 Buttonwood St., Reading, Pennsylvania ...	1957
	Spencer, Don, 88 Secor Road, Scarsdale, New York	1954
	Spencer, Haven, 2645 Bedford Rd., Ann Arbor, Michigan	1947
	Spencer, Dr. Merrill P., 303 Wake Dr., Winston-Salem, North Carolina	1954
	Spencer, Michael, 2052 Knightsbridge Rd., Ottawa 3, Ontario, Canada	1954
	Sperry, Charles Carlisle, 1455 S. Franklin St., Denver 10, Colorado	1920
	Spiers, Donald R[ichard], Chapel View, Melbury Osmond, Evershot, Dorset, England	1953
L	Spingarn, Edward D[aniel] W[oodbury], 3400 Rodman St., N. W., Washington 8, D. C.	1924
	Spofford, Dr. Walter R[ichardson], II, Department of Anatomy, State University of New York Medical Center, Syracuse, New York	1927
	Springer, Paul [Frederick], Patuxent Research Refuge, Laurel, Maryland	1941
F	Sprunt, Alexander, Jr., The Crescent, Charleston 44, South Carolina (1923)	1950
	Sprunt, Alexander, IV, The Crescent, Charleston 44, South Carolina	1950
EM	Squires, W[illiam] Austin, The New Brunswick Museum, Saint John, New Brunswick, Canada (1946)	1950
	Stabler, Harold B[rooke], 6123 Broad Branch Rd., Washington 15, D. C.	1937
	Stabler, Dr. Robert M[iller], Colorado College, Colorado Springs, Colorado	1940
	Stackpole, Richard, Wayland, Massachusetts	1937
EM	Staebler, Dr. Arthur Eugene, Biology Department, Fresno State College, Fresno, California (1935)	1955
EM	Stager, Kenneth Earl, Los Angeles Museum, Exposition Park, Los Angeles 7, California (1942)	1953
	Stair, John Lester, 7331 N. 32nd Ave., Phoenix, Arizona	1955

	Stallcup, Dr. William B[lackburn], Jr., Biology Department, Southern Methodist University, Dallas, Texas	1951
	Staloff, Charles, 1776 Weeks Ave., Bronx 57, New York	1949
	Stamm, Anne L. [Mrs. Frederick W.], 2118 Lakeside, Louisville 5, Kentucky	1946
	Stanwood, Miss Cordelia J[ohnson], Birdsacre, High St., Ellsworth, Maine	1909
	Stark, Earl [Vincent], 59 Chilton Rd., Toronto 6, Ontario, Canada	1948
	Starr, Dr. Robert R[ussell], Howard Clinic, Glasgow, Kentucky	1949
	Starrett, Andrew, Dept. Biology, U. of Southern Calif., University Park, Los Angeles 7, Calif.	1949
	Sasz, Clarence E., 179 Edgewood Ave., Audubon 6, New Jersey	1953
	Stauffer, Dr. R[alph] S[tanley], 208 W. Irvin Ave., Hagerstown, Maryland	1949
	Stearns, Dr. Edward I[ra], 601 Lake Ave., Wilmette, Illinois	1945
	Stecher, Karl, Jr., 4608 Norwood Dr., Chevy Chase 15, Maryland	1957
	Steel, William C., 551 Morningside Dr., Miami Springs, Florida	1952
	Stefanski, Raymond Arthur, Armstrong Creek, Wisconsin	1957
	Steffen, Philip N., 2135 Balmoral Ave., Chicago 25, Illinois	1949
L	Stein, Dr. Robert C[arrington], Department of Biology, Ursinus College, Collegeville, Pennsylvania	1950
	Steirly, Charles C[ornell], Virginia Forest Service, Waverly, Virginia	1947
	Stephens, James L[inley], Jr., P. O. Box 841, Lumberton, North Carolina	1947
	Sterner, Dr. Lewis G[eorge], Byberry Rd., Somerton, Philadelphia 16, Pennsylvania	1949
	Stettenheim, Peter, Museum of Zoology, University of Michigan, Ann Arbor, Michigan	1951
✓	Stevens, Charles E[lmo], Jr., 615 Preston Pl., Charlottesville, Virginia	1946
L	Stevens, John P., Jr., Stevens Bldg., Broadway at 41st St., New York 36, New York	1939
EM	Stevenson, Dr. Henry M[iller], Jr., Department of Zoology, Florida State University, Tallahassee, Florida	(1940) 1954
EM	Stevenson, James O[sborne], Fish and Wildlife Service, Department of the Interior, Washington 25, D. C.	(1926) 1948
	Stewart, James R., Jr., United Gas Corporation, Research Laboratory, Shreveport, Louisiana	1955
	Stewart, Miss Mildred, 2219 Devonshire Drive, Cleveland 6, Ohio ..	1946
L	Stewart, Paul A[lva], Department of Zoology and Entomology, Ohio State University, Columbus 10, Ohio	1928
EM	Stewart, Robert Earl, Patuxent Research Refuge, Laurel, Maryland (1938)	1949
	Stickney, Eleanor Herrick, [Mrs. Albert, Jr.], Leetes Island Rd., Guilford, Connecticut	1933
	Stiles, Bruce F[leming], 601 10th St., West Des Moines, Iowa	1939
	Stillwell, Jerry E., R. R. 2, Fayetteville, Arkansas	1934
	Stimson, Louis A[lbert], c/o M. C. Wardle, R. D. 1 Ring Road, Chadds Ford, Pennsylvania	1943
	Stirrett, Dr. Geo[rge] M[ilton], Canadian Wildlife Service, Old Arts Bldg., Queen's University, Kingston, Ontario, Canada	1948
	Stoddard, E[noch] V[ine], Gallup Lane, Waterford, Connecticut ..	1942

LF	Stoddard, Herbert Lee, Sherwood Plantation, Thomasville, Georgia (1912)	1936
	Stokes, Dr. Allen W., Department of Wildlife Management, U. S. A. C., Logan, Utah	1947
	Stokes, H[enry] Ernest, 1519 Marlboro Ave., Hartsville, South Carolina	1957
	Stone, Dr. Charles T., Jr., 4514 Avenue N 1/2, Galveston, Texas	1955
	Stone, Edgar Norman, 3867 Washington St., San Francisco, California	1954
L	Stoner, Mrs. Dayton, 399 State St., Albany 6, New York	1946
	Stoner, Emerson A[ustin], 285 E. "L" St., Benicia, California	1922
	Stophlet, John J[ermain], 2612 Maplewood Ave., Toledo, Ohio	1937
	Storer, John H[umphreys], 440 Henkel Circle, Winter Park, Florida	1937
LF	Storer, Dr. Robert W[inthrop], Museum of Zoology, University of Michigan, Ann Arbor, Michigan	(1935) 1952
EM	Storer, Dr. Tracy Irwin, Department of Zoology, University of California, Davis, California	(1916) 1922
	Storrie, Miss Robina, 443 S. Corona St., Denver 9, Colorado	1941
	Stott, Kenhelm W[elburn], Jr., 3040 Helix St., Spring Valley, Cali- fornia	1944
	Stotts, Vernon DeForest, Mattapex Farm, Stevensville, Maryland ..	1956
	Stout, Gardner D., 14 Wall St., New York 5, New York	1952
	Stout, R. Gwynne, Edge Hill, Glen Road, Ardmore, Pennsylvania ..	1940
	Straw, Richard M[yron], Division of Natural Sciences, Los Angeles State College, 855 North Vermont Ave., Los Angeles 29, California	1946
EM	Street, Phillips B[orden], Route 1, Chester Springs, Pennsylvania (1946)	1952
L	Strehlow, Elmer W., P. O. Box 1443, Milwaukee 1, Wisconsin	1945
	Stringham, Emerson, Box 986, Kerrville, Texas	1941
	Strong, Alden M., c/o H. H. Roberts, Westport, Ontario, Canada	1952
F	Strong, Dr. Reuben M[yron], 5716 Stony Island Ave., Chicago 37, Illinois	(1889) 1949
	Stuart, Lyman K., 501 West Maple Ave., Newark, New York	1956
	Stull, Dr. William D[eMott], Rt. 1, Delaware, Ohio	1953
EM	Stupka, Arthur, Route 1, Gatlinburg, Tennessee	(1934) 1948
	Sturdevant, Carleton A[ustin], R. D. 1, Prattsburg, New York	1949
L	Sturgeon, Myron T[homas], Department of Geography and Geology, Ohio University, Athens, Ohio	1938
	Sturges, Franklin W., 1587 Brook Lane, Corvallis, Oregon	1953
L	Sugden, Martin [James Jaffrey], 16 Alexandra Blvd., Toronto 12, Ontario, Canada	1952
	Sullivan, Edward G., P. O. Box 523, Grenada, Mississippi	1957
	Summers, Dr. Lawrence, c/o University of North Dakota, Grand Forks, North Dakota	1953
EM	Sumner, [Eustace] Lowell, Jr., Three Rivers, California	(1926) 1938
	Sumner, Mrs. Lowell, Three Rivers, California	1933
	Sumner, Ruth A[llerton], 420 N. 48th St., Omaha 3, Nebraska	1949
	Sundell, Robert [Arnold], 94 Main St., Frewsburg, New York	1948
	Suthard, James G[regory], 1881 Raymond Ave., Long Beach 6, Cali- fornia	1923
	Suthers, Hannah Bonsey [Mrs. Derwent A.], 163 Newman Rd., Rt. 2, Williamston, Michigan	1954

LF	Sutton, Dr. George Miksch, University of Oklahoma, Norman, Oklahoma (1910)	1936
	Swackhamer, Farris S., c/o Shell Chemical Corporation, 380 Madison Ave., New York 17, New York	1956
	Swanson, Carl V[ernon], 8824 Mt. Rainier Dr., Vancouver, Washington	1952
EM	Swanson, Dr. Gustav A., Fernow Hall, Cornell University, Ithaca, New York (1928)	1947
	Sweatman, G[ordon] K[enneth], P. O. Box 254, Macdonald College, Quebec, Canada	1950
	Swedenborg, E[rn]ie D[avid], 4905 Vincent Ave., S., Minneapolis, Minnesota	1927
	Sweet, Dr. Herman R., Department of Biology, Tufts College, Medford, Massachusetts	1942
	Swift, Isabel H[owland], 3 Hackett Circle W., Stamford, Connecticut	1949
	Swigart, Edmund K[earsley], Ferry Bridge Rd., Washington, Connecticut	1951
	Swinebroad, Jeff, Department of Botany and Zoology, Douglass College, Rutgers University, New Brunswick, New Jersey	1951
EM	Taber, Wendell, 33 Lexington Ave., Cambridge 38, Massachusetts (1933)	1948
	Tabor, Miss Ava R[ogers], 305 Canal Ave., Thibodaux, Louisiana	1937
	Taft, Elizabeth A., 504 N. Blakely St., Dunmore Station, Scranton, Pennsylvania	1940
	Taft, John E., 352 Glen Ellen Dr., Ventura, California	1957
	Tainter, Mrs. Fern R., 226 Berkeley St., Salt Lake City 9, Utah	1956
	Tainter, Miss Grace, 161 Emerson Place, Brooklyn 5, New York	1952
	Tallman, William S[weet], Jr., 4 Linden Place, Sewickley, Pennsylvania	1942
	Talmadge, Robert R., Box 71, Willow Creek, California	1947
	Tancock, [Montague] Monty A., 425 Crocker Rd., Sacramento 19, California	1950
	Tanger, Louise F[orney] A[rnold], 318 N. President Ave., Lancaster, Pennsylvania	1949
	Tanghe, Leo J[oseph], 852 Stone Road, Rochester 16, New York ..	1949
	Tanguay, Rev. Abbé René, Ste. Ann's College, Ste. Ann de la Pocatière, Kamouraska Co., Quebec, Canada	1944
EM	Tanner, Dr. James T[aylor], Department of Zoology, University of Tennessee, Knoxville, Tennessee (1933)	1947
	Tashian, Dr. Richard E[arl], Columbia University, 413 West 117th St., New York 27, New York	1949
	Tasker, Dr. Ronald Reginald, 180 Crescent Rd., Apt. 2, Toronto, Ontario, Canada	1952
	Taylor, Herbert S[anton], 1369 Fair Ave., Columbus 5, Ohio	1948
	Taylor, James E., Jr., 1504 Westbrook - Apt. D., New Orleans, Louisiana	1956
	Taylor, Kenneth, 128 Charles St., New York 14, New York	1956
	Taylor, Dr. Lewis Walter, Department of Poultry Husbandry, University of California, Berkeley 4, California	1925
	Taylor, Dr. R[obert] L[incoln], 661 Inverness Dr., Flintridge, Pasadena 3, California	1947

	HLEM Taylor, Dr. Walter Penn, 424 W. Harrison Ave., Claremont, California (1916)	1950
	Taylor, William E., 4667 Ironwood, Saginaw, Michigan	1952
	Teachenor, Dix, 1020 West 61st St., Kansas City 13, Missouri	1919
	Teal, Dr. John M., University of Georgia, Department of Biology, Marine Biology Laboratory, Sapelo Island, Georgia	1957
	Teale, Edwin Way, 93 Park Ave., Baldwin, Long Island, New York	1947
	Teepie, Stanley Melvin, Perth Road, Ontario, Canada	1957
	Terborgh, John W., 4582 26th St., North, Arlington 7, Virginia	1954
	Terney, George E., 558-15th Ave., San Francisco 18, California	1956
	Terres, J[ohn] Kenneth, 345 E. 57th St., New York 22, New York ..	1934
EM	Terrill, Lewis McIver, Uiverton, P/Quebec, Canada (1907)	1947
EM	Terry, Mrs. R. A. [Mary Ella McClellan Davidson], 1521 Escobita Ave., Palo Alto, California (1920)	1932
	Terry, Dr. Robert J[ames], University Club, St. Louis 3, Missouri	1919
	Thacher, Louis B[artlett], Jr., 541 Gay St., Westwood, Massachusetts	1931
	Thaeler, Charles S[chropp], Jr., 2214 Haste St., Berkeley 4, California	1953
	Thatcher, Donald M[ason], 2916 Perry St., Denver 12, Colorado	1946
EM	Thomas, Dr. Edward S[inclair], Ohio State Museum, Columbus 10, Ohio (1922)	1941
	Thomas, Gerald B[amber], 3339 W. 82nd. St., Inglewood, California	1949
	Thomas, Landon B., 1006 Blaine St., Edgerton, Wisconsin	1947
	Thomas, Lester S[t. John], Churchville, Pennsylvania	1954
EM	Thomas, Ruth Harris [Mrs. Rowland], 410 E. Green St., Morrilton, Arkansas (1935)	1950
	Thompson, Daniel Q[uale], Ripon College, Ripon, Wisconsin	1949
	Thompson, Mrs. Edwin V., 15 Poplar Hill Rd., Blankenbaker Lane, Louisville 7, Kentucky	1954
	Thompson, Evan Gwynne, 5007 Doliver Drive, Houston 19, Texas	1956
	Thompson, James D[illey], Jr., 509½ Polk St., Amarillo, Texas ...	1951
	Thompson, Dr. John Q. U., 1958 River Road, Jacksonville 7, Florida	1956
	Thompson, Miss Katrina, 2039 Milford, Houston 6, Texas	1956
	Thompson, Lovell, Houghton Mifflin Co., 2 Park St., Boston 7, Massachusetts	1955
	Thompson, Max Clyde, Udall, Kansas	1957
	Thompson, Reynolds Wardell, 537 Verna Hill Rd., Fairfield, Connecticut	1955
	Thompson, William Lay, Department of Zoology, University of California, Berkeley 4, California	1953
	Thomson, Isabel A., 5939 Shafter Ave., Oakland 18, California	1952
	Thomson, Miss Mary W., 1210 Ragnet Ct., Nacogdoches, Texas	1957
	Thorley, Robert F., 8 Midland Gardens, Bronxville 8, New York ..	1947
	Thornburg, Ashley A[lvin], 1208 No. Vine, Victoria, Texas	1950
L	Thorne, Oakleigh, II, 1707 Hillside Rd., Boulder, Colorado	1947
	Thornton, William James, P. O. Box 1011, Birmingham, Alabama	1938
L	Thorp, George B[oulton], Carnegie Institute of Technology, Pittsburgh 13, Pennsylvania	1935
	Thorpe, James D[avid], 9 Elmdale Ave., Akron 13, Ohio	1942
	Thorson, Dr. Thomas B[ertel], Department of Zoology, University of Nebraska, Lincoln, Nebraska	1948

	Throne, Alvin L[eroy], University of Wisconsin, Milwaukee 11, Wisconsin	1954
	Thurston, Henry, Box 214, Montrose, New York	1947
	Tice, Standford Charles, 78 Manhattan Ave., New York 25, New York	1956
	Tillman, Dr. Clifford, 492 Cherokee Park, Natchez, Mississippi	1957
	Todd, H[enry] O[liver], Jr., P. O. Box 259, 105 Spring St., Masonic Bldg., Murfreesboro, Tennessee	1939
F	Todd, W[alter] E[dmond] Clyde, Carnegie Museum, Pittsburgh 13, Pennsylvania	(1890) 1916
	Tomer, John S[haffer], 4045 East 27th St., Tulsa 14, Oklahoma ..	1957
	Tomich, P[rosp[er]] Quentin, Department of Zoology, University of California, Davis, California	1945
EM	Tomkins, Ivan Rexford, 1231 E. 50th St., Savannah, Georgia .. (1928)	1939
L	Tompkins Victor N[orman], 524 Madison Ave., Albany 3, New York ..	1949
	Toner, George Clive, 17 Amelia St., Toronto 5, Ontario, Canada ..	1948
F	Tordoff, Dr. Harrison B., Museum of Zoology, University of Michigan, Ann Arbor, Michigan	(1944) 1957
L	Tousey, Miss Katherine, 22 Grand View Ave., Somerville 43, Massachusetts	1935
	Tousey, Dr. Richard, 6625 Oxon Hill Rd., S. E. Washington 21, D. C. ..	1943
	Towe, J[ay] Troy, General Delivery, Cana, Virginia	1949
	Townes, George F[ranklin], 209 Masonic Temple, Greenville, South Carolina	1953
	Townsend, Miss Elsie W., Department of Biology, Wayne University, Detroit 1, Michigan	1951
	Toyne, Mrs. George W., 1110½ Iowa Ave., Muscatine, Iowa	1952
	Trainer, John E[zra], Muhlenberg College, Department of Biology, Allentown, Pennsylvania	1937
	Trask, Dr. Parker Davies, 240 Southampton Ave., Berkeley 7, California	1936
F	Trautman, Dr. Milton B[ernhard], Ohio State Museum, Columbus 10, Ohio	(1924) 1955
	Travis, Vaud A., 1611 Monta, Muskogee, Oklahoma	1956
EM	Traylor, Melvin A[lvah], Jr., 759 Burr Ave., Winnetka, Illinois (1940)	1950
L	Treacy, Edward D[aniel], 14 Church St., Highland Falls, New York ..	1957
L	Trivette, Lt. Edward C[arroll], Baldwin, Maryland	1950
	Trost, Charles H., 1019 Walnut St., Erie, Pennsylvania	1953
	Trowern, Robert Wilson, 42 Van Dusen Blvd., Toronto, Ontario, Canada	1947
	Truslow, Frederick Kent, 34 Hillcrest Ave., Summit, New Jersey ..	1957
	Tryon, Clarence Archer, Jr., Department of Biological Sciences, University of Pittsburgh, Pittsburgh 15, Pennsylvania	1947
	Tuck, Leslie M., Dom. Wildlife Officer, Water Street, St. John's, Newfoundland	1947
L	Tucker, Mrs. Carll, 733 Park Avenue, New York, New York	1924
L	Tufts, Dr. Harold F[reeman], Port Mouton, Queen's County, Nova Scotia, Canada	1947
	Tulinoff, A[ntonine] V., 1255 Wyoming Ave., Niagara Falls, New York ..	1949
	Turner, James H[oward], Box 691, Holloman Air Force Base, New Mexico	1951

	Tutton, Terry T., Palmyra, Wisconsin	1956
	Twiss, Dr. A. R[obert], 2359 Gails Avenue, Chehalis, Washington ..	1955
EM	Twomey, Dr. Arthur C[ornelius], Carnegie Museum, Pittsburgh, Pennsylvania	(1930) 1946
	Tyrrell, W[illiam] Bryant, 246 Park Ave., Takoma Park 12, Maryland	1940
	Udvardy, Dr. M[iklos] D[exso] F[erenc], Department of Zoology, University of British Columbia, Vancouver, British Columbia, Canada	1953
EM	Uhler, Francis M[orey], Fish and Wildlife Service, Patuxent Research Refuge, Laurel, Maryland	(1924) 1937
	Ulrich, Mrs. Alice E., 193 La Salle Ave., Buffalo 14, New York	1935
	Ulrich, Edward C., 193 La Salle Ave., Buffalo 14, New York	1935
L	Underdown, Henry T[ener], 8216 Manor Rd., Elkins Park 17, Penn- sylvania	1921
	Urban, Emil K[arl], Museum of Natural History, University of Kansas, Lawrence, Kansas	1956
	Ussher, R[ichard] D[avey], R. R. 1, Morpeth, Ontario, Canada ..	1931
	Vaden, Virginia [Mozelle], 4325 Bowser Ave., Dallas 19, Texas	1956
	Vaiden, M[eredith] Gordon, Rosedale, Mississippi	1936
	Valentine, Allen Eugene, 2335 Walters Rd., Westlake, Ohio	1954
	Van Cleve, G. Bernard, 323 S. Fairmount St., Pittsburgh 32, Penn- sylvania	1954
L	Vanderbilt, Mrs. Anne Colby, Englewood, Florida	1957
	Vandermeer, Dr. B[illy] L[ee], 5087 South 10th East, Salt Lake City, Utah	1951
	Van Deusen, Hobart Merritt, 12 Highland Ave., Montclair, New Jersey	1937
	Van Dyke, Rev. Tertius, Washington, Connecticut	1930
	Vanek, Mrs. Charles W., 7441 Reuter Ave., Dearborn 1, Michigan	1954
	Van Esetine, Dr. William Parker, Department of Veterinary Hygiene, School of Veterinary Medicine, University of Georgia, Athens, Georgia	1944
L	Van Fleet, Clark C., Box 696 Lakeport, Lake County, California	1947
	Van Gelder, Richard G[eorge], Department of Mammals, American Museum of Natural History, Central Park West at 79th St., New York 24, New York	1955
	Van Horn, Donald H., Biology Department, University of Colorado, Boulder, Colorado	1952
	Van Huizen, Peter J., White River National Wildlife Refuge, St. Charles, Arkansas	1939
HL	Van Name, Willard Gibbs, American Museum of Natural History, Central Park West at 79th St., New York 24, New York	1900
	Van Vleck, Mrs. David B., The Loomis School, Windsor, Connecticut	1957
	Van Wart, Mrs. Marjory Powell, 143 Union Ave., Amityville, New York	1956
	Vaughan, Terry Alfred, Museum of Natural History, University of Kansas, Lawrence, Kansas	1957
	Vaughan, William C[oleman], Church Street, Youngstown, New York	1935

F	Vaurie, Dr. [Auguste Jean] Charles, American Museum of Natural History, Central Park West at 79th St., New York 24, New York (1944)	1954
	Verges, Eugene M[arcelin], II, 1126 Beacon St., Brookline, Massachusetts	1931
	Verner, Jared, 604 East "C" St., Moscow, Idaho	1956
EM	Vogt, William W., 410 Central Park West, New York 25, New York (1928)	1936
	Vollmar, Mrs. R[hea] Lewis, 6138 Simpson Ave., St. Louis 10, Missouri	1949
	von Bloeker, Prof. Jack C[hristian], Jr., Life Sciences Department, Los Angeles City College, Los Angeles 29, California	1941
	von der Heydt, James A[rnold], P. O. Box 156, Nome, Alaska	1953
	Vore, Marvin E[lmer], 1128 N. 8th Ave., West Bend, Wisconsin	1949
	Wachenfeld, Mrs. William A., 787 E. Clarke Place, Orange, New Jersey	1953
	Wade, Mrs. Jephtho H., 251 Old Billerica Rd., Bedford, Massachusetts	1957
	Wagner, Mrs. Julia E[lizabeth], 818 E. Boulder St., Colorado Springs, Colorado	1949
	Wainwright, C[arroll] L[ivingston], Jr., One East End Ave., New York 21, New York	1950
L	Walgreen, Mrs. Charles R., 3240 Lake Shore Dr., Chicago 13, Illinois	1951
EM	Walker, Dr. Charles F[rederic], Museum of Zoology, University of Michigan, Ann Arbor, Michigan (1927)	1944
	Walker, Jason A[lison], 89 Church St., Waterloo, New York	1948
	Walker, Dr. Roland, Rensselaer Polytechnic Institute, Biological Laboratory, Troy, New York	1924
	Walker, Mrs. Stuart, Block House Ranch, Leander, Texas	1957
LF	Walkinshaw, Dr. Lawrence H[arvey], 1703 Wolverine Tower, Battle Creek, Michigan (1929)	1951
EM	Wallace, Dr. George J[ohn], 517 Ann St., East Lansing, Michigan (1935)	1945
	Wallace, Roy Frederick, 63 Dupont St., Toronto 5, Ontario, Canada	1947
	Wallace, Tom, Louisville Times, Louisville 2, Kentucky	1954
	Walsh, David Alfred, Box 223, College, Alaska	1953
	Walter, Cedric N[orman], 32 Stanley Ave., Beckenham, Kent, England	1948
	Walters, Frank, Hollis, New Hampshire	1902
	Wanamaker, John, Principia College, Elsah, Illinois	1946
	Wanek, Mrs. Ernest E., [Anna N.], 5 Davidson Ave., Ramsey, New Jersey	1953
	Wanless, Harold R., 127 Natural History Bldg., University of Illinois, Urbana, Illinois	1947
	Wanzer, James Olin, 3601 56th St., Sacramento 20, California	1947
	Ward, Rodman, R. D. 1, Kennett Square, Pennsylvania	1957
	Warfield, Ben[jamin] Breckinridge, 3223 Volta Place, N. W., Washington 7, D. C.	1930
	Warham, John, c/o Aust. & N. Z. Bank Ltd., Town Hall Branch, 608 Hay St., Perth, Western Australia	1952
	Waring, John D., Anzac, Alberta, Canada	1953
	Warkley, John C., 700 South Beech St., Casper, Wyoming	1956
EM	Warner, Dr. Dwain W., Museum of Natural History, University of Minnesota, Minneapolis, Minnesota (1942)	1951

Warren, Donald H., 52 South Ireland Place, Amityville, L. I., New York	1955
Warters, Miss Mary Ellen, 5115 Woodland Ave., Des Moines 12, Iowa	1951
Washington, Mrs. Whiting, Trail's End, North Edgecomb, Maine	1947
Wasserfall, William, 22 Roycrest Ave., Lansing, Ontario, Canada	1952
Waters, Joseph Hemenway, 24 Winter Street, Whitman, Massachusetts	1955
Watson, B. B., 422 Sunny Lane, Tyler, Texas	1957
Watson, C[harles] G[ray], 201 Ridout St., S., London, Ontario, Canada	1919
Watson, Frank G[raham], Stony Acres, Route 2, Westport, Connecticut	1936
Watson, George Elden, III, Osborn Zoological Laboratory, Yale University, New Haven 11, Connecticut	1957
Watson, Robert J., P. O. Box 75, Blacksburg, Virginia	1947
Weart, Miss Edith L[ucie], 35-36 76th St., Jackson Heights, New York	1946
Weaver, Miss Madeline M[ary], 161 Norton St., Rochester 21, New York	1953
Webb, Edward L[loyd], 254 E. 2nd St., Mesa, Arizona	1955
Webb, John S[idney], 1444 W. St. Charles Street, Brownsville, Texas	1957
Weber, Jay Anthony, 10775 N. Bayshore Drive, Miami 38, Florida ..	1907
Webster, Clark G[ibbons], Patuxent Research Refuge, Laurel, Maryland	1948
Webster, H. R[eid], 433 Post Office Bldg., Edmonton, Alberta, Canada	1949
Webster, Dr. J[ackson] Dan, Hanover College, Hanover, Indiana	1941
Webster, Karl B[liss], 57 Webster Park Ave., Columbus 14, Ohio ..	1949
Webster, Randall, 341 Western Ave., Brookville, Pennsylvania	1937
Weeden, Robert Barton, Department of Zoology, University of British Columbia, Vancouver 8, British Columbia	1957
Weeks, Glenn, 218 Plain Rd., Greenfield, Massachusetts	1954
Weeks, [Willie Person] Magnum, 219 North Royal St., Alexandria, Virginia	1938
Weidner, George Joseph, 199-10 116 Ave., St. Albans 12, New York	1954
Weigel, Robert D., Department of Biology, University of Florida, Gainesville, Florida	1956
Weise, Charles M[artin], Department of Zoology, University of Wisconsin, Milwaukee 3, Wisconsin	1948
Weiser, Charles S[pangler], Wyndham Hills, York, Pennsylvania ..	1916
Weller, Milton W[ebster], Wildlife Cons. Bldg., Columbia, Missouri	1952
Wellings, Dr. S[efton] R[obert], 230 Parnassus Ave., San Francisco, California	1949
Wellman, Mrs. Cora B., Bank Village R. D., Greenville, New Hampshire	1954
Wells, LaRue, 807 W. Liberty, Ann Arbor, Michigan	1952
Welty, [Joel] Carl, R. 1, Beloit, Wisconsin	1948
Wendt, Miss Lorina M., Apt. 404, 2377 Champlain St., N. W., Washington 9, D. C.	1946
Werner, James Russell, P. O. Box 145, Goodyear, Arizona	1956
Werner, Ray C[owles], 758 Wildwood Rd., N. E., Atlanta 9, Georgia	1947
Werner, Mrs. Tyrrell H., 100 Tolman St., Cumberland Mills, Maine	1952
Wesseling, Kurt [Paul], Jr., 9852 Madison, Rock Hill 19, Missouri	1949

	West, David A., Fernow Hall, Cornell University, Ithaca, New York	1954
	West, Mrs. E[u]gene] M. [Adele Hooker], 2914 Haywood Ave., Apt. 1-D, Chattanooga 5, Tennessee	1951
	West, George C[urtiss], Vivarium Bldg., Wright and Healey Sts., Champaign, Illinois	1951
	West, Henry C[lopton], 4660 East 42nd St., Indianapolis 18, Indiana	1950
F	Weston, Francis Marion, 2006 E. Jordan St., Pensacola, Florida (1925)	1953
	Weston, Dr. Henry G[riggs], Jr., Department of Biological Sciences, San Jose State College, San Jose 14, California	1943
	Wetherbee, David Kenneth, R. F. D., Hampton, Connecticut	1945
	Wetherbee, Mrs. Kenneth Brackett, 11 Dallas St., Worcester, Massa- chusetts	1929
✓LF	Wetmore, Dr. Alexander, Smithsonian Institution, Washington 25, D. C.	(1908) 1919
	Weydemeyer, Winton [William], Fortine, Montana	1925
	Weyl, Edward S[tern], 3827 The Oak Road, Philadelphia 29, Pennsylvania	1921
L	Wharton, William Pickman, Groton, Massachusetts	1907
	Wheat, Maxwell C., 89-10 182 Place, Hollis 23, New York	1955
	Wheatland, Miss Sarah B[igelow], 16 Edgewood Ave., New Haven, Connecticut	1951
	Whigham, Mrs. Andrew L[ee], P. O. Box 235, Century, Florida	1939
	Whitaker, John Ogden, 34 East Street, Oneonta, New York	1957
	Whitaker, Mrs. Lovie M., 1204 West Brooks St., Norman, Oklahoma	1952
	Whitehouse, Dr. Eula, Box 739, Southern Methodist University, Dallas 5, Texas	1957
	Whiting, Robert A[rchie], 2521 Cobb Road, Jackson, Michigan	1949
	Whitman, F[rank] Burton, Jr., Mere Point Rd., Brunswick, Maine	1951
	Whitman, J. Douglas, R. F. D. 1, Jordan, New York	1956
	Whitney, Dr. Nathaniel Ruggles, Jr., Pine Hill Drive, Rapid City, South Dakota	1947
	Wible, Mary W. [Mrs. Paul], Carteo Camp, Pennsylvania	1957
	Wicke, A[lfred] F[rederick], Jr., 1515 N. "A" St., Pensacola, Florida	1949
L	Wickstrom, George M[artin], 2293 Harding Ave., Muskegon, Michigan	1951
	Wiebush, Joseph Roy, 1530 Red-Oak Drive, Silver Spring, Maryland	1952
	Wiens, John, 428 Chautauqua, Norman, Oklahoma	1955
	Wiggin, Henry T., 151 Tappan St., Brookline 46, Massachusetts	1955
	Wiggins, Dr. Ira L[oren], Natural History Museum, Stanford, California	1954
	Wilcox, Dr. Harry H[ammond], Jr., 1031 Marcia Rd., Memphis 17, Pennsylvania	1938
	Wilcox, Stephen LeRoy, Speonk, Long Island, New York	1927
HL	Wilcox, Thomas Ferdinand, Smith Ridge, New Canaan, Connecticut	1895
	Wilder, T[hodore] G[arfield], 125 Oxford Rd., Waukesha, Wisconsin	1946
	Wiles, Dr. Harold O[liver], 537 Campbell Ave., Kalamazoo, Michigan	1939
	Wilhelm, Eugene J., Jr., 7334 Trenton, University City 14, Missouri	1953
	Wilk, Albert L[awrence], R. R. 2, Camrose, Alberta, Canada	1936
EM	Williams, Cecil Sloan, U. S. Fish and Wildlife Service, Building 45, Denver Federal Center, Denver, Colorado	(1937) 1950
	Williams, Cletis, Homegger's Farms Co., Inc., Forrest, Illinois	1953

	Williams, Edward A[lexander], Millbrook School, Millbrook, New York	1950
	Williams, Ellison A[dger], 27 Limehouse St., Charleston, South Carolina	1923
EM	Williams, Prof. George G., The Rice Institute, Houston 1, Texas (1944)	1952
	Williams, Miss Helen J[ackson], Marycrest Apts. 3-D, 2345 Linwood Ave., Coytesville, New Jersey	1950
	Williams, Henry Parry, 122 Market St., Bangor, Pennsylvania	1956
	Williams, Miss Hilda W., 52 Upland Road, Brookline 46, Massachusetts	1954
	Williams, John G[eorge], Coryndon Museum, P. O. Box 658, Nairobi, Kenya Colony, Africa	1956
EM	Williams, Laidlaw [Onderdonk], R. F. D., Route 1, Box 152, Carmel, California	(1919) 1949
	Williams, Lovett Edward, Jr., 2111 N. Monticello Dr., Tallahassee, Florida	1957
	Williams, Dr. Olwen, Department of Biology, University of Colorado, Boulder, Colorado	1957
L	Williams, Ralph Ben, Box 2354, Juneau, Alaska	1942
	Williams, Raymond E[well], 1036 S. Bradshawe Ave., Monterey Park, California	1950
	Williams, Robert J[ackson], 1028 Clymer Place, Madison 5, Wisconsin	1956
	Williams, William E[rnest], 183 Dewbourne Ave., Toronto 10, Ontario, Canada	1951
	Williamson, Francis S[idney] L[anier], Arctic Health Research Center, P. O. Box 960, Anchorage, Alaska	1949
	Willis, Cornelius G[rinnell], 1 Carter Ave., Sierra Madre, California	1948
	Willis, Edwin [O'Neill], 1631 Gail Road, Baltimore 21, Maryland ..	1952
	Willis, Myra G., 1720 6th Ave., S. E., Cedar Rapids, Iowa	1949
	Willms, A[lbert] George, Route 2, Urbana, Illinois	1952
	Willoughby, John E[rnest], 106 Worden Ave., Ann Arbor, Michigan	1947
	Wilmoth, James H[erdman], Harpur College of State University of New York, Endicott, New York	1949
	Wilson, Archie F[rancis], 390 Hartshorn Dr., Short Hills, New Jersey	1937
	Wilson, Bruce V., 815 N. Chipman St., Owosso, Michigan	1947
	Wilson, Harold C., Ephraim, Wisconsin	1946
	Wilson, Jerald [Junior], Box 624, Riverdale, North Dakota	1951
	Wilson, Lionel Thomas, 124 Park Road N., Oshawa, Ontario, Canada	1956
	Wilson, Stuart [Strong], Jr., Koo Koose Farm, Deposit, New York ..	1954
	Wilson, Winifred Edith, 231 Elm Ave., Westmount, Montreal 6, P. Quebec, Canada	1947
	Wilson, Vanez T., Bear River Migratory Bird Refuge, Brigham, Utah	1947
	Wilton, Dr. Christine, Box 123, East Carolina College, Greenville, North Carolina	1954
	Wiltshire, Mrs. Grace T., Randolph-Macon Woman's College, Lynchburg, Virginia	1954
L	Wineman, Andrew, 150 Michigan Ave., Detroit 26, Michigan	1932
	Winford, Mrs. Edith E[mmons], 1022 South Windomere, Dallas 8, Texas	1957
	Wing, Mrs. Anne Hinshaw, 3875 Vorhies Rd., Ann Arbor, Michigan	1948
L	Wing, Harold F., 7165 Bunker Hill Rd., Jackson, Michigan	1942

EM	Wing, Dr. Leonard W[illiam], 3875 Vorhies Rd., Ann Arbor, Michigan (1929)	1945
	Wingate, David B[alcombe], "Aldie" Smith's Parish, Bermuda ..	1951
	Winn, Dr. Hudson S[umner], Department of Biology, New York State College for Teachers, Albany 3, New York	1949
	Winship, Wilfred L. D., Rt. 4, Box 290, Corpus Christi, Texas	1957
	Wise, Robert William, Route 1, Box 350, Woodland, California	1953
	Wisner, Herbert P., R. D. 1, Unadilla, New York	1954
	Witherington, Robert H., 757 Yorkshire Rd., Winston-Salem, North Carolina	1953
	Wolf, Larry L., 2609 Jefferson Ave., Midland, Michigan	1955
	Wolfarth, Floyd Parker, 133 High St., Nutley, New Jersey	1937
LEM	Wolfe, Col. L[loyd] R[aymond], Route 1, Box 226-G, Kerrville, Texas (1922)	1951
	Wolff, John L[udwig], Furnace Woods Rd., R. F. D. 1, Peekskill, New York	1948
F	Wolfson, Dr. Albert, Northwestern University, Evanston, Illinois (1941)	1952
L	Wolk, Robert G[eorge], Department of Biology, St. Lawrence Uni- versity, Canton, New York	1952
	Wood, Charles 159 Summit St., East Providence 14, Rhode Island	1950
	Wood, Dr. Harold Bacon, 3016 North Second St., Harrisburg, Penn- sylvania	1929
	Wood, Dr. Merrill, Department of Zoology and Entomology, Penn- sylvania State University, University Park, Pennsylvania	1927
	Wood, Rawson L[yman], 5 Bonnie Heights Rd., Manhasset, New York	1942
	Wood, Mrs. Rollin D., 900 Higginson Lane, Winnetka, Illinois	1955
EM	Woodbury, Dr. Angus M[unn], 248 University St., Salt Lake City 2, Utah	(1942) 1950
	Woodford, J[ames (Jim) K.], 233 Roehampton Ave., Toronto 12, Ontario, Canada	1953
L	Woods, Robert, P. O. Drawer 32, Covina, California	1926
	Woodson, James L., 28 Whitman Ave., West Hartford, Connecticut	1956
L	Woodward, Miss Barbara, R. F. D. 2, Guilford, Maine	1946
L	Woodward, Sarah J[ones], 110 Warren St., Concord, New Hampshire	1950
L	Woollenden, Glen E[verett], Department of Biology, University of Florida, Gainesville, Florida	1947
	Woollenden, Mrs. Harriet B[ergtold], Ter. 6, 4600 Firestone Ave., Dearborn 2, Michigan	1951
	Woolman, Edward, Haverford, Pennsylvania	1925
L	Work, Dr. Telford H., The Rockefeller Foundation, Virus Research Centre, P. O. Box 11, Poona 1, India	1944
	Worrell, Mrs. Dorothy O., 531 Ceylon St., Eagle Pass, Texas	1956
	Worth, Dr. C[harles] Brooke, 516 Walnut Lane, Swarthmore, Penn- sylvania	1927
	Worthley, Dr. Elmer G., Bonita Ave., Owings Mills, Maryland ..	1953
EM	Wright, Dr. Albert [Hazen], 113 E. Upland Rd., Ithaca, New York (1906)	1919

L	Wright, Bruce S[tanley], Northeastern Wildlife Station, University of New Brunswick, Fredericton, New Brunswick, Canada	1946
	Wright, Howard F[ord], 3604 N. Temple Ave., Indianapolis 18, Indiana	1949
	Wright, Miss Jean M[clellan], 3444 Cornell Pl., Cincinnati 20, Ohio	1954
	Wright, John T[homas], 3950 N. Cactus Blvd., Tucson, Arizona	1947
	Wright, Dr. Philip L., Montana State University, Missoula, Montana	1942
	Wright, Robert L., 16766 Lindsay, Detroit 35, Michigan	1956
	Wycoff, Dr. Ray S[heppard], 106 W. 7th St., Lexington, Nebraska ..	1949
	Wylie, William Lewis, Pleasant Valley Sanctuary, Lenox, Massachusetts	1949
LEM	Wynne-Edwards, V[ero] C[opner], Natural History Department, Marischal College, University of Aberdeen, Aberdeen, Scotland (1930)	1936
	Yarding, Miss Crystal W., 1220 E. 4th St., Tucson, Arizona	1957
	Yatsushashi, Dr. Masao, 66 Beals St., Brookline 46, Massachusetts ..	1941
	Yeatman, Harry C[lay], Department of Biology, University of the South, Sewanee, Tennessee	1947
EM	Yeatter, Dr. Ralph Emerson, Illinois State Natural History Survey, Urbana, Illinois (1926)	1948
	Yocom, Dr. Charles F[rederick], Game Management Department, Humboldt State College, Arcata, California	1947
	Yoder, Robert G., 1147 N. Park Ave., Tucson, Arizona	1957
EM	Young, Dr. Howard Frederick, Department of Biology, Wisconsin State College, La Crosse, Wisconsin (1947)	1954
	Young, J. Addison, II, 60 Argyle Ave., New Rochelle, New York ..	1949
	Young, Mrs. L. Z., 323 N. 12 Ave., Broken Bow, Nebraska	1952
	Zahniser, Howard, 6222 43rd. Ave., Hyattsville, Maryland	1935
	Zardus, Maurice John, Jr., Box 89, La Barge, Wyoming	1954
L	Zimmerman, Dr. Dale A., 480 N. Altamont Ave., Emlay City, Michigan	1946
	Zimmerman, Harold Alexander, 2218 N. Linden St., Muncie, Indiana	1929
	Zimmerman, James H[all], 2214 Van Hise Ave., Madison 5, Wisconsin	1949
	Zimmerman, John L[ester], 7447 Stanwick Dr., Houston 17, Texas	1953
	Zimmerman, William Fredrick, 126 South Dr., Fox Chapel, Pitts- burgh 38, Pennsylvania	1956
	Zoracl, Timothy, 14 Sidney Place, Brooklyn 1, New York	1957
	Zukoski, Dr. and Mrs. Charles Frederick, 1815 Windsor Blvd., Birm- ingham 9, Alabama	1957
	Zuloaga, Dr. Guillermo, Creole Petroleum Corporation, Apartado 889, Caracas, Venezuela, S. A.	1954
	Zusi, Richard, Museum of Zoology, University of Michigan, Ann Arbor, Michigan	1953

Best in the Field



Peterson Field Guide Series

- ① A Field Guide to the Birds by Roger Tory Peterson • "Bible of the Ornithologists"
- ② A Field Guide to Western Birds by Roger Tory Peterson • Standard western guide
- ③ A Field Guide to the Shells of our Atlantic and Gulf Coasts by Percy A. Morris • Ideal beachcomber's companion
- ④ A Field Guide to the Butterflies by Alexander B. Klots • How to identify and collect butterflies
- ⑤ A Field Guide to the Mammals by William Burt and Richard Grossenheider • Field marks of all species north of Mexico
- ⑥ A Field Guide to Shells of the Pacific Coast and Hawaii by Percy A. Morris • Comprehensive guide to these vast areas
- ⑦ A Field Guide to Rocks and Minerals by Frederick H. Pough • World-wide guide for amateur and professional
- ⑧ A Field Guide to the Birds of Britain and Europe by Roger Tory Peterson, Guy Mountfort, P. A. D. Hollom • First concise pocket guide to British and European birds.

Newest Additions



- ⑨ A Field Guide to Animal Tracks by Olaus J. Murie • A new kind of guide, to the animals you didn't see. Over 1000 illustrations
- ⑩ A Field Guide to the Ferns and Their Related Families of Northeastern and Central North America by Boughton Cobb • The first completely illustrated portable guide to the ferns of a major portion of the North American continent. Over 500 illustrations

Complete your set now!

Houghton Mifflin Company
2 Park St., Boston 7, Mass.

Please send me:

- | | | |
|------------------------------|-----------------------------|---------------------------------|
|Birds, \$3.95 |Butterflies, \$3.95 |Rocks and Minerals, \$3.95 |
|Western Birds, \$3.95 |Mammals, \$3.95 |British Birds, \$5.00 |
|Atlantic Shells, \$3.95 |Pacific Shells, \$3.95 |Animal Tracks, \$3.95 |
| |Ferns, \$3.95 | |

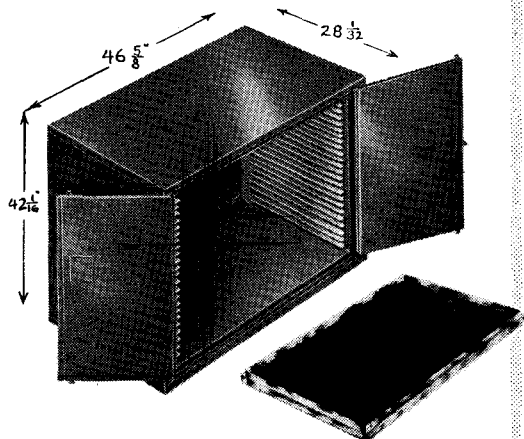
Check enclosed

Charge

Name Address

City Zone..... State

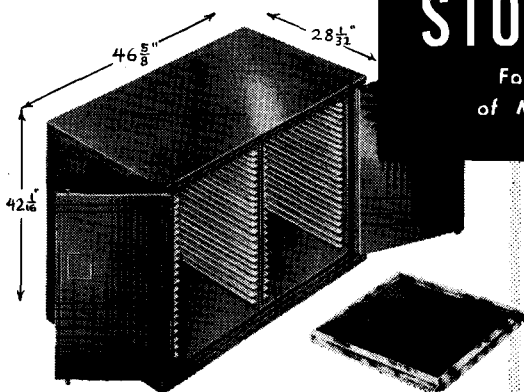
(Add any city or state sales tax)



Skin Case #201 for Large Trays

**SKIN CASES
FOR
MAXIMUM
PROTECTION
CONVENIENCE
ECONOMY!**

Lane



Skin Case #202 for Small Trays

ZOOLOGICAL AND ORNITHOLOGICAL

**SPECIMEN
STORAGE CASE**

*For Protective Storage
of Mammal & Bird Skins*

- Locked "Live Rubber" Seal
- Sturdy double panel doors
- Locking mechanism secures both doors
- Tray guides permit maximum position of tray positions
- Fumigant Compartment
- Specimen Trays of aluminum and masonite — light weight — easy to handle.

FOR ILLUSTRATED BROCHURE WRITE

Institutional Division

CHAS J *Lane* CORP

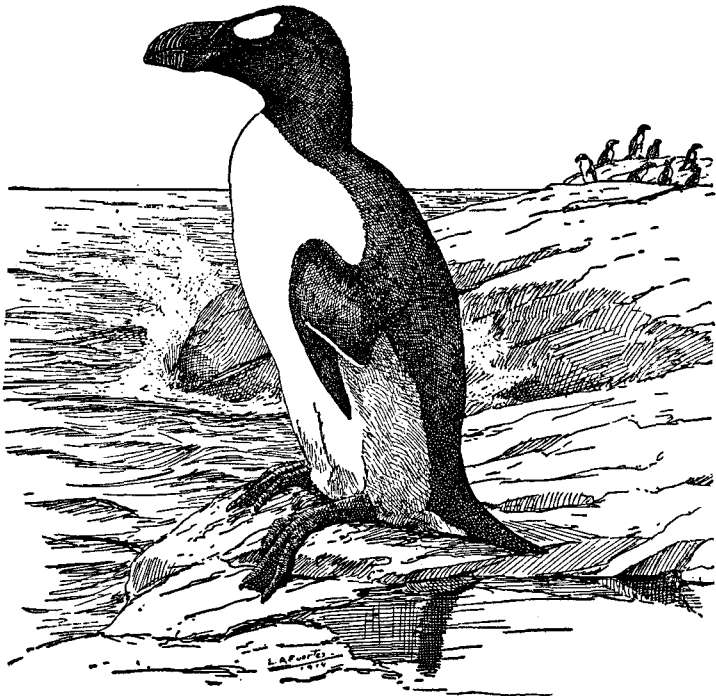
105 CHAMBERS STREET, NEW YORK 7, N. Y.

The Auk

A Quarterly Journal of Ornithology

EDITOR

ROBERT W. STORER



VOLUME 74

PUBLISHED BY

The American Ornithologists' Union

LANCASTER, PENNSYLVANIA

1957

DATES OF ISSUE OF "THE AUK"

VOL. 74, No. 1—JANUARY 27, 1957

VOL. 74, No. 2—JUNE 3, 1957

VOL. 74, No. 3—SEPTEMBER 25, 1957

VOL. 74, No. 4—DECEMBER 30, 1957

CONTENTS OF VOLUME 74

NUMBER 1

NOTES ON THE AMERICAN SPARROW HAWK. By <i>A. I. Roest</i>	1
IN MEMORIAM: ADRIAAN VAN ROSSEM. By <i>Alden H. Miller</i>	20
PIGMENTATION OF EGGS: VARIATION IN THE CLUTCH SEQUENCE. By <i>F. W. Preston</i> ..	28
COWBIRD PARASITISM OF THE NORTHERN YELLOW-THROAT. By <i>P. B. Hofslund</i> ...	42
EVOLUTION IN THE GENUS MYZOMELA (AVES: MELIPHAGIDAE). By <i>Karl F. Koopman</i> ..	49
INDIVIDUAL VARIATION IN THE FISH CROW, <i>Corvus ossifragus</i> . By <i>Julian J. Baumel</i> ..	73
PROCEEDINGS OF THE SEVENTY-FOURTH STATED MEETING OF THE AMERICAN ORNITHOLOGISTS' UNION. By <i>Harold Mayfield</i>	79
REPORT OF THE COMMITTEE ON BIRD PROTECTION	90
GENERAL NOTES	
A Hybrid between the White-throated Sparrow and the Slate-colored Junco at Dalton, Georgia. By <i>Mr. and Mrs. R. E. Hamilton</i>	94
Occurrence of Bachman's Warbler (<i>Vermivora bachmani</i>) in northern Mississippi in June. By <i>Thomas D. Burleigh</i>	94
Robins use Same Nest for Three Sets of Eggs in One Season. By <i>Walter P. Nickell</i> ..	95
The Function of the Concealed Throat-patch in the White-necked Raven. By <i>S. F. Blake</i> ..	95
A Recent Colima Warbler's Nest. By <i>Dorothy E. Snyder</i>	97
Cape May Warbler Feeds on Amphipods. By <i>Walter Dawn</i>	98
The Primaries of <i>Archaeopteryx</i> . By <i>D. B. O. Savile</i>	99
Merlin Attacks Brown-eared Bulbuls. By <i>H. Elliott McClure</i>	101
The Abbreviated Inner Primaries of Nestling Woodpeckers. By <i>Charles G. Sibley</i> ..	102
The Loss of Teeth in Birds. By <i>William C. Dilger</i>	103
Absence of Syrinx in the Turkey Vulture (<i>Cathartes aura</i>). By <i>Mildred Miskimen</i> ..	104
Land Bird Migrants over the Florida Straits. By <i>Norman P. Hill</i>	105
Differential Mortality among Red Crossbills (<i>Loxia curvirostra</i>). By <i>Richard R. Bond</i> ..	106
Range Extensions in Puerto Rico. By <i>Robert L. Grayce</i>	106
REVIEWS	107
RECENT LITERATURE. Edited by <i>Frank McKinney</i>	111
NOTES AND NEWS	127
OBITUARY	
GEOFFREY GREAM OMMANNEY	128

NUMBER 2

COMPARATIVE FORAGING BEHAVIOR OF THE SPOTTED AND BROWN TOWHEES. By <i>John Davis</i>	129
IN MEMORIAM: JAMES LEE PETERS. By <i>Alexander Wetmore</i>	167
A NEW BIRD (FAMILY CRACIDAE) FROM THE EARLY OLIGOCENE OF SOUTH DAKOTA. By <i>Harrison B. Tordoff and J. R. Macdonald</i>	174

CALIFORNIA GULL PREDATION ON WATERFOWL. By <i>Clyde R. Odin</i>	185
OBSERVATIONS ON DISPLAY AND OTHER FORMS OF BEHAVIOR OF CERTAIN ARCTIC BIRDS. By <i>E. O. Höhn</i>	203
THE BIRDS OF MIYAKE JIMA, JAPAN. By <i>Jack T. Moyer</i>	215
VARIATION IN <i>Seiurus noveboracensis</i> . By <i>Stephen W. Eaton</i>	229
THE NESTS OF <i>Pitangus lictor</i> AND <i>Coryphotriccus parvus</i> . By <i>F. Haverschmidt</i>	240
VARIATION IN CLUTCH SIZE AT DIFFERENT LATITUDES. By <i>H. O. Wagner</i>	243
THE MOLTING PERIODS OF MEXICAN HUMMINGBIRDS. By <i>H. O. Wagner</i>	251
GENERAL NOTES	
Observations on Fox, Lincoln, and Song Sparrows at Jackson Hole, Wyoming. By <i>George W. Salt</i>	258
Notes on the White-breasted Thrasher. By <i>James Bond</i>	259
Displacement Singing in a Canada Jay (<i>Perisoreus canadensis</i>). By <i>Louise de Kiriline Lawrence</i>	260
Winter Returns of Baltimore Orioles (<i>Icterus galbula</i>) in the Washington-Baltimore Area. By <i>Ralph E. Lawrence and Hervey Brackbill</i>	261
Vestigial Claws on the Wings of a Red-winged Blackbird. By <i>Robert W. Nero</i>	262
Swallow-tailed Kite in Ohio: A Retraction. By <i>Robert B. Gordon</i>	262
Bronzed Grackles Feeding on Emerald Shiners. By <i>W. I. Follett</i>	263
A Bronzed Grackle (<i>Quiscalus quiscula</i>) Feeding on Live Minnows. By <i>A. M. Beeton and LaRue Wells</i>	263
Eastern Phoebe's Fishing. By <i>Laurence C. Binford</i>	264
<i>Falco peregrinus</i> at Sea. By <i>George W. Byers</i>	265
Common Tern (<i>Sterna h. hirundo</i>) Breeding in the Netherlands Antilles. By <i>F. H. Ansingh and H. J. Koelers</i>	266
Southernmost Records for the Hooded Merganser (<i>Lophodytes cucullatus</i>) in the United States. By <i>Mary P. Sherwood</i>	266
First Record of Vermilion Flycatcher (<i>Pyrocephalus rubinus</i>) in Kentucky. By <i>Frederick W. Loetscher</i>	268
REVIEWS	269
RECENT LITERATURE. Edited by <i>Frank McKinney</i>	275
NOTES AND NEWS	285
A. O. U. COMMITTEES FOR 1956-57	285
STUDENT MEMBERSHIP AWARDS	286
TREASURER'S REPORT FOR THE PERIOD OCTOBER 1, 1955-SEPTEMBER 30, 1956	287
OBITUARIES	
CLARENCE DUVAL BROWN, JOHN RUDY CRUTTENDEN, RALPH EMERSON DELURY, JOHN TOWNSEND SHARPLESS HUNN, ROBERT WALCOTT	290

NUMBER 3

YELLOW-BELLIED FLYCATCHER NESTING IN MICHIGAN. By <i>Lawrence H. Walkinshaw</i> and <i>C. J. Henry</i>	293
NESTING SUCCESS IN ALTRICIAL BIRDS. By <i>Margaret Morse Nice</i>	305
IN MEMORIAM: JOSSELYN VAN TYNE. By <i>Harold Mayfield</i>	322
THE SONG AND DANCE OF THE LONG-TAILED MANAKIN, <i>Chiroxiphia linearis</i> . By <i>Paul Slud</i>	333
AN EMBRYOLOGICAL COMPARISON OF THE DOMESTIC FOWL AND THE RED-WINGED BLACKBIRD. By <i>Joseph Carl Daniel, Jr.</i>	340
THE ARRIVAL OF CONTINENTAL MIGRANTS IN WESTERN JAPAN. By <i>H. Elliott</i> <i>McClure</i> and <i>Masashi Yoshii</i>	359
THE RESPONSE OF CHICKS OF THE FRANKLIN'S GULL TO PARENTAL BILL-COLOR. By <i>Elsie C. Collias</i> and <i>Nicholas E. Collias</i>	371
NOTES ON THE SONG SPARROWS OF THE MEXICAN PLATEAU. By <i>Allan R. Phillips</i> and <i>Robert W. Dickerman</i>	376
GENERAL NOTES	
Species Limitation in Certain Groups of the Swift Genus <i>Chaetura</i> . By <i>Alexander</i> <i>Wetmore</i>	383
The First Primary in Swifts. By <i>David Lack</i>	385
Two New Devices for Measuring the Shapes of Birds' Eggs. By <i>F. W. Preston</i>	386
Incubation and Nestling Periods of the Olive-sided Flycatcher. By <i>Lawrence H.</i> <i>Walkinshaw</i> and <i>C. J. Henry</i>	389
Display of the Least Grebe. By <i>Dale A. Zimmerman</i>	390
Flight Behavior of a Flock of Slate-colored Juncos in the Late Afternoon. By <i>Winifred</i> <i>S. Sabine</i>	391
Redheads Killed by a Dwindraft. By <i>Henry Rate</i>	391
Observations on the Diving of the Surf Scoter (<i>Melanitta perspicillata</i>). By <i>Philip S.</i> <i>Humphrey</i>	392
Food of the Black Skimmer (<i>Rynchops nigra</i>). By <i>B. B. Leavitt</i>	394
The Gray Lag-Goose in Massachusetts: Correction. By <i>Dorothy E. Snyder</i>	394
REVIEWS	395
RECENT LITERATURE. Edited by <i>Frank McKinney</i>	401
NOTES AND NEWS	412

NUMBER 4

THE AVIFAUNA OF THE TRES MARIAS ISLANDS, MEXICO. By <i>Kenneth E. Stager</i> ..	413
NOTES ON THE COURTSHIP BEHAVIOR OF THE KING RAIL. By <i>Brooke Meanley</i>	433
THE BEARD OF THE WILD TURKEY. By <i>A. W. Schorger</i>	441
ANALYSIS OF MASS BIRD MORTALITY IN OCTOBER, 1954. By <i>David W. Johnston</i> and <i>T. P. Haines</i>	447
FOOD AND FEEDING HABITS OF THE SCAUPS IN CONNECTICUT WATERS. By <i>John M.</i> <i>Cronan, Jr.</i>	459

FIELD OBSERVATIONS PERTAINING TO THE SYSTEMATIC STATUS OF THE GREAT WHITE HERON IN THE FLORIDA KEYS. By <i>Andrew J. Meyerriecks</i>	469
THE FUNCTION OF <i>M. DEPRESSOR CAUDA</i> E AND <i>M. CAUDOFEMORALIS</i> IN PIGEONS. By <i>Harvey I. Fisher</i>	479
RADIOIODINE: A METHOD FOR MEASURING THYROID ACTIVITY. By <i>Barbara A. Fink</i>	487
GENERAL NOTES	
Observations on Gnatcatcher Range Extension. By <i>George E. Grube</i>	494
Incubation Period of the Sora Rail. By <i>Lawrence H. Walkinshaw</i>	496
The Rediscovery of <i>Tangavius armenti</i> (Cabanis). By <i>Herbert Friedmann</i>	497
Great Black-backed Gull (<i>Larus marinus</i>). By <i>Stanley Cobb</i>	498
The Juvenal Plumages of the Finch Genera <i>Atlapetes</i> and <i>Pipilo</i> . By <i>Kenneth C. Parkes</i>	499
Transplantation of a Shrike Pair. By <i>Frances Hamerstrom</i>	502
<i>Lanius ludovicianus miamensis</i> Bishop, a Valid Race from Southern Florida. By <i>A. L. Rand</i>	503
The Bahaman Nighthawk (<i>Chordeiles minor vicinus</i>) on the Florida Keys. By <i>Donald J. Nicholson</i>	505
The Hybrid Origin of <i>Chlorophanes purpurascens</i> . By <i>Robert W. Storer</i>	507
The Yellow-headed Turkey Vulture in Surinam. By <i>F. Haverschmidt</i>	508
Eastern Glossy Ibis Nesting in Southeastern Maryland. By <i>Robert E. Stewart</i>	509
Unusual Flight Behavior of Blue and Snow Geese. By <i>Ronald F. Labisky</i>	509
Records of Longevity in Canada Geese. By <i>Clayton H. Douville and Charles E. Friley, Jr.</i>	510
<i>Touit huetii</i> (Temminck) from Brazil. By <i>Helmut Sick</i>	510
REVIEWS	512
RECENT LITERATURE. Edited by <i>Frank McKinney</i>	516
NOTES AND NEWS	534
OBITUARY	
W. R. B. OLIVER	535
INDEX TO VOLUME 74. Prepared by <i>Col. L. R. Wolfe</i>	537

LIST OF PLATES

Plate	Opposite Page
1. MILLER: Adriaan Joseph van Rossem	20
2. PRESTON: Eggs of the Laughing Gull	28
3. PRESTON: Eggs of the Common Tern	29
4. PRESTON: Paraxial (<i>top</i>) and Profile Views of Rotating Eggs	34
5. HAMILTON: A Hybrid between the White-throated Sparrow and the Slate-colored Junco, collected at Dalton, Georgia, January 16, 1955	94
6. NICKELL: Nest of Robin Showing Extreme Wear after having been used three times in one season	95

7. DAVIS: Foraging areas of the Spotted Towhee	131
8. DAVIS: Foraging areas of the Brown Towhee	150
9. WETMORE: James L. Peters	167
10. TORDOFF and MACDONALD: <i>Procrax brevipes</i>	175
11. MOYER: Bird Habitats on Miyake Jima, Japan	215
12. HAVERSCHMIDT: Nests of the Derby and Lictor Flycatchers in Surinam	240
13. HAVERSCHMIDT: Nesting of the White-ringed Flycatcher (<i>Coryphotriccus parvus</i>) at Zanderij, Surinam, September 2, 1956	241
14. WALKINSHAW and HENRY: Nesting of the Yellow-bellied Flycatcher in Schoolcraft County, Michigan	293
15. MAYFIELD: Josselyn Van Tyne	322
16. PRESTON: Optical Spherometer for Measuring Curvatures of the Ends of Relatively Small or Frail Birds' Eggs	386
17. PRESTON: Automatic Machine for Measuring the Length and Breadth of Relatively Small or Frail Birds' Eggs	387
18. STAGER: Three Mexican Races of the Tropical Parula Warbler, from a painting by Don R. Eckelberry	413
19. STAGER: Vegetation of the Tres Marias Islands, April, 1955	
20. STAGER: Vegetation of the Tres Marias Islands, April, 1955	
21. STAGER: Views of the Tres Marias Islands, April, 1955	
22. STAGER: Views of San Juanito Island	
23. SCHORGER: Turkey Bristles	
24. SCHORGER: Cross Sections of Bristles from Four Races of the Wild Turkey	

THE AUK

A Quarterly Journal of Ornithology

ORGAN OF THE AMERICAN ORNITHOLOGISTS' UNION

For publication in 'The Auk,' articles or notes must present material that is of significance to ornithologists and that has not been published elsewhere. All manuscripts should be typewritten, double spaced, with wide margins. Titles should be brief. Terminal bibliographies are used as a rule for long articles. Only works actually cited in the text are to be included in these bibliographies; works not so cited will be deleted by the editors. Where fewer than five references to literature are made, they may be inserted in parentheses in the text. References in manuscript for 'General Notes' should be in the text. Consult issues of 'The Auk' since January, 1949, for style of citation. Long articles should be summarized briefly. Footnotes, Roman numerals, and ruled tables are to be avoided. Acknowledgments belong in the text. Line drawings must be in India ink on white paper or drawing board; usually these should be planned for at least one-half reduction when printed. Thus, details and lettering must be correspondingly large. Legends must be brief. Photographs must be hard, glossy prints of good contrast. Common and scientific names of North American birds should follow the A.O.U. Check-List (Fifth Edition) except in taxonomic papers giving critical discussions.

Proofs of all articles and notes will be sent to authors. Reprints from articles, 'General Notes,' and 'Correspondence' are to be paid for by the author. These must be ordered from the Editor on the blanks sent with the proof and must be returned with the proof. Printed covers can be furnished at additional cost.

All articles and notes submitted for publication and all books and publications intended for review should be sent to the new Editor.

EUGENE EISENMANN, *American Museum of Natural History, Central Park West at 79th Street, New York 24, New York.*

All persons interested in ornithology are invited to join the American Ornithologists' Union. Application may be made to the Treasurer; dues for Members are \$4.00 per year. 'The Auk' is sent without charge to all classes of members not in arrears for dues.

Send changes of address, claims for undelivered or defective copies of 'The Auk,' and requests for information relative to advertising, subscriptions, back numbers of 'The Auk,' as well as for other publications of the Union, to the Treasurer.

CHARLES G. SIBLEY, *Fernow Hall, Cornell University, Ithaca, New York.*

OFFICERS OF THE AMERICAN ORNITHOLOGISTS' UNION

President: ERNST MAYR, Museum of Comparative Zoology, Harvard University, Cambridge 38, Massachusetts.

First Vice-President: GEORGE H. LOWERY, JR., Museum of Zoology, Louisiana State University, Baton Rouge, Louisiana.

Second Vice-President: AUSTIN L. RAND, Chicago Natural History Museum, Chicago 5, Illinois.

Editor: ROBERT W. STORER, Museum of Zoology, University of Michigan, Ann Arbor, Michigan.

Secretary: HAROLD F. MAYFIELD, River Road, RFD, Waterville, Ohio.

Treasurer: CHARLES G. SIBLEY, Fernow Hall, Cornell University, Ithaca, New York

ALFRED W. FUDGE

President, Federation of New York State Bird Clubs

Says:

"I regard *Audubon Field Notes* as indispensable to every bird student whose interest extends beyond his own doorstep. It provides an up-to-date source of reliable information on the seasonal distribution and relative abundance of birds throughout the country, and this is not readily available through any other source. The general summaries of the seasons are headline news to everyone interested in ornithology. Personally, I wouldn't care to be without it."

AUDUBON FIELD NOTES

SUBSCRIBE TODAY!

Subscription for one year..... \$3.00 Subscription for two years..... \$5.50

Subscription for three years. \$7.50

(Single copies of April issue—Christmas Bird Count \$2.00)

1130 Fifth Avenue, New York 28, N. Y.

THE COMPARATIVE BIOLOGY OF THE MEADOWLARKS (STURNELLA) IN WISCONSIN

by Wesley C. Lanyon
of the American Museum of Natural History

The first in a new series of publications by the Nuttall Ornithological Club
of Cambridge, Massachusetts.

Dr. Lanyon's study examines the several factors of habitat, voice, behavior, and morphology which maintain *Sturnella magna* and *neglecta* as separate species. Many interesting features of the New World family, *Icteridae*, are discussed. The work represents an important study in the natural history of sibling species and as such is a significant contribution to our understanding of evolution.

Orders should be addressed to the Mass. Audubon Society, 155 Newbury St., Boston, Mass.
67 pp. plus 16 plates. Cloth bound, \$2.00; paper bound, \$1.50.

SAS — FASTEST TO HELSINKI!

DIRECT—overnight to the Convention City—on the DC-7C Global Express of SAS, world's fastest, finest airliner. Continental cuisine, champagne, spacious berths; VISIT 16 EXTRA CITIES in Europe for round trip SAS fare to Helsinki alone.



See your Travel Agent or SAS

Scandinavian Airlines System — 638 Fifth Avenue, New York 20, N. Y.

The A.O.U. "CHECK-LIST OF NORTH AMERICAN BIRDS" Fifth Edition

Order from: The Treasurer
American Ornithologists' Union
Fernow Hall, Cornell University, Ithaca, New York

\$8.00 per copy, postpaid