

THE AMERICAN ORNITHOLOGISTS' UNION

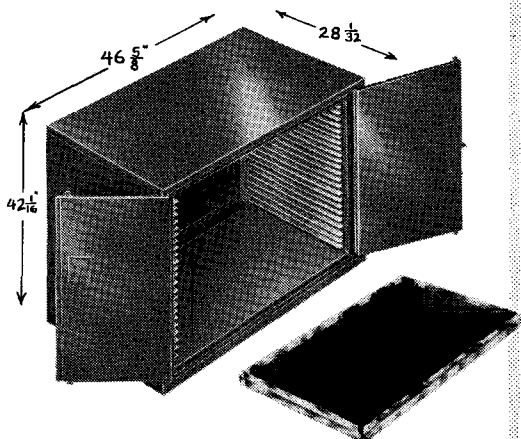
Rates and Space Dimensions for Advertisements in The Auk

<i>Space</i>	<i>Dimensions</i>	<i>Per Year (4 issues)</i>	<i>Per issue</i>
Full page	4½" x 7½"	\$200	\$65
½ page	4½" x 3⅝"	\$120	\$40
⅓ page	4½" x 2⅜"	\$ 75	\$25
¼ page	4½" x 1 13/16"	\$ 60	\$20

Advertisements suitable for inclusion in The Auk are solicited.

Address inquiries and space orders to:

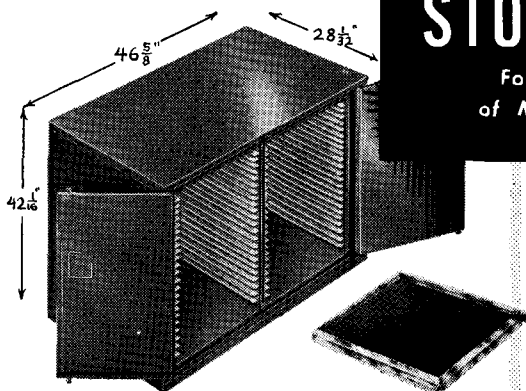
CHARLES G. SIBLEY, *Treasurer*
Fernow Hall, Cornell University
Ithaca, New York



Skin Case #201 for Large Trays

**SKIN CASES
FOR
MAXIMUM
PROTECTION
CONVENIENCE
ECONOMY!**

Lane



Skin Case #202 for Small Trays

ZOOLOGICAL AND ORNITHOLOGICAL

SPECIMEN STORAGE CASE

*For Protective Storage
of Mammal & Bird Skins*

- Locked "Live Rubber" Seal
- Sturdy double panel doors
- Locking mechanism secures both doors
- Tray guides permit maximum position of tray positions
- Fumigant Compartment
- Specimen Trays of aluminum and masonite — light weight — easy to handle.

FOR ILLUSTRATED BROCHURE WRITE

Institutional Division

CHAS J

Lane CORP

105 CHAMBERS STREET NEW YORK 7, N. Y.

THE AUK

A Quarterly Journal of Ornithology

ORGAN OF THE AMERICAN ORNITHOLOGISTS' UNION

For publication in 'The Auk,' articles or notes must present material that is of significance to ornithologists and that has not been published elsewhere. All manuscripts should be typewritten, double spaced, with wide margins. Titles should be brief. Terminal bibliographies are used as a rule for long articles. Only works actually cited in the text are to be included in these bibliographies; works not so cited will be deleted by the editors. Where fewer than five references to literature are made, they may be inserted in parentheses in the text. References in manuscript for 'General Notes' should be in the text. Consult issues of 'The Auk' since January, 1949, for style of citation. Long articles should be summarized briefly. Footnotes, Roman numerals, and ruled tables are to be avoided. Acknowledgments belong in the text. Line drawings must be in India ink on white paper or drawing board; usually these should be planned for at least one-half reduction when printed. Thus, details and lettering must be correspondingly large. Legends must be brief. Photographs must be hard, glossy prints of good contrast. Common and scientific names of North American birds should follow the A.O.U. Check-List and supplements except in taxonomic papers giving critical discussions.

Proofs of all articles and notes will be sent to authors. Reprints from articles, 'General Notes,' and 'Correspondence' are to be paid for by the author. These must be ordered from the Editor on the blanks sent with the proof and must be returned with the proof. Printed covers can be furnished at additional cost.

All articles and notes submitted for publication and all books and publications intended for review should be sent to the Editor.

ROBERT W. STORER, *Museum of Zoology, University of Michigan, Ann Arbor Michigan.*

All persons interested in ornithology are invited to join the American Ornithologists' Union. Application may be made to the Treasurer; dues for Members are \$4.00 per year. 'The Auk' is sent without charge to all classes of members not in arrears for dues.

Send changes of address, claims for undelivered or defective copies of 'The Auk,' and requests for information relative to advertising, subscriptions, back numbers of 'The Auk,' as well as for other publications of the Union, to the Treasurer.

CHARLES G. SIBLEY, *Fernow Hall, Cornell University, Ithaca, New York.*

OFFICERS OF THE AMERICAN ORNITHOLOGISTS' UNION

President: ALDEN H. MILLER, University of California, Museum of Vertebrate Zoology, Berkeley 4, California.

First Vice-President: LUDLOW GRISCOM, Harvard University, Museum of Comparative Zoology, Cambridge 38, Massachusetts.

Second Vice-President: ERNST MAYR, Harvard University, Museum of Comparative Zoology, Cambridge 38, Massachusetts.

Editor: ROBERT W. STORER, University of Michigan, Museum of Zoology, Ann Arbor, Michigan.

Secretary: HAROLD F. MAYFIELD, River Road, R. F. D., Waterville, Ohio.

Treasurer: CHARLES G. SIBLEY, Cornell University, Fernow Hall, Ithaca, New York

PETER PAUL KELLOGG, President
Federation of New York State Bird Clubs

Says:

To me *Audubon Field Notes* stands out as an important research tool, becoming more important with time. Many people keep good records on birds but many of these data are lost or never made available to workers who could use them. *Audubon Field Notes* serves a real purpose in publishing and preserving for all time records of changing conditions in the bird world. Perhaps one of the most important contributions *Audubon Field Notes* offers the serious bird watcher is an opportunity to perform a real service to ornithology and to receive credit for his work. Making this publication available to bird students in every community would be a worthy project for any bird club.

AUDUBON FIELD NOTES

SUBSCRIBE TODAY!

Subscription for one year..... \$3.00 Subscription for two years..... \$5.50
Subscription for three years. \$7.50

(Separate copies of April issue—Christmas Bird Count \$2.00)

1130 Fifth Avenue, New York 28, N. Y.

"Recent Studies in Avian Biology"

by

Members of the Research Committee of the American Ornithologists' Union is available for immediate mailing.

It contains chapters, written by well-known ornithologists, on many aspects of the biology of birds. Systematics, paleontology, anatomy, behavior, migration, endocrinology, populations, banding and diseases of birds are discussed by authorities in each field.

479 pages, bound, \$7.50 postpaid. Order your copy from the

AMERICAN ORNITHOLOGISTS' UNION

CHARLES G. SIBLEY, Treasurer
Fernow Hall, Cornell University
Ithaca, New York