

## The Linnaean Society of New York

*Announces the publication of  
Volume VII of its Transactions*

- This volume (128 pp.) lists all species recorded from Mexico to Panama inclusive (over 1,400) under their currently accepted technical names.
- It supplies an English name for each species unit.
- It outlines the range of each species, indicating not only the countries of Middle America in which such species has or has not been noted, but also in a general way the extra-limital range.
- It provides a distributional bibliography (over 200 items) divided by countries, and, in the case of Mexico, subdivided by regions.
- It should become a basic volume in the working library of those interested in the distribution of American birds.

## The Species of Middle American Birds by Eugene Eisenmann

**PRICE \$2.00**

*Supply is limited.*

Orders should be sent to  
the Secretary, Linnaean Society  
American Museum of Natural History  
New York 24, N. Y.

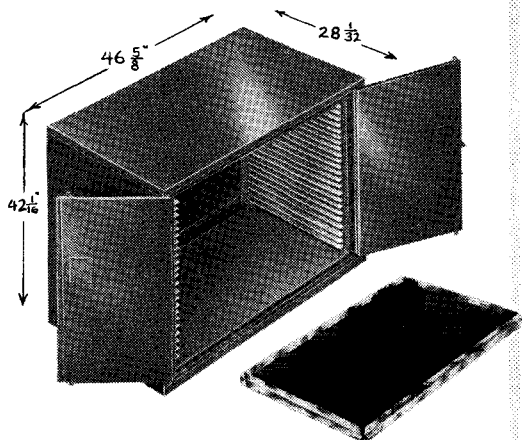
### To the A.O.U. Membership:

Dues notices for 1956 have recently been sent out. If you have not yet mailed your payment please consider this a reminder—BUT, better yet, save yourself this annual problem and take out a

### LIFE MEMBERSHIP

which may be paid in a single payment of \$100.00 or in four consecutive annual installments of \$25.00 each.

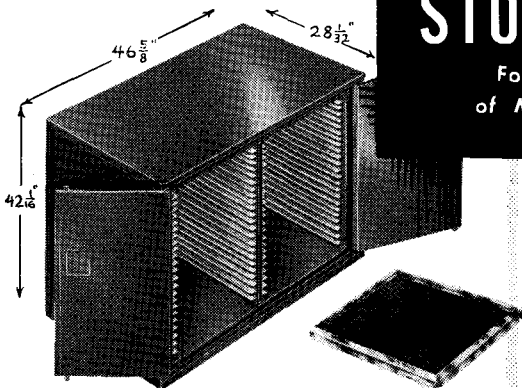
CHARLES G. SIBLEY, *Treasurer*  
Fernow Hall, Cornell University  
Ithaca, N. Y.



Skin Case #201 for Large Trays

**SKIN CASES  
FOR  
MAXIMUM  
PROTECTION  
CONVENIENCE  
ECONOMY!**

*Lane*



Skin Case #202 for Small Trays

ZOOLOGICAL AND ORNITHOLOGICAL  
**SPECIMEN  
STORAGE CASE**  
For Protective Storage  
of Mammal & Bird Skins

- Locked "Live Rubber" Seal
- Sturdy double panel doors
- Locking mechanism secures both doors
- Tray guides permit maximum position of tray positions
- Fumigant Compartment
- Specimen Trays of aluminum and masonite — light weight — easy to handle.

FOR ILLUSTRATED BROCHURE WRITE

Institutional Division

CHAS. J. *Lane* CORP.

105 CHAMBERS STREET, NEW YORK 7, N. Y.

# The Auk

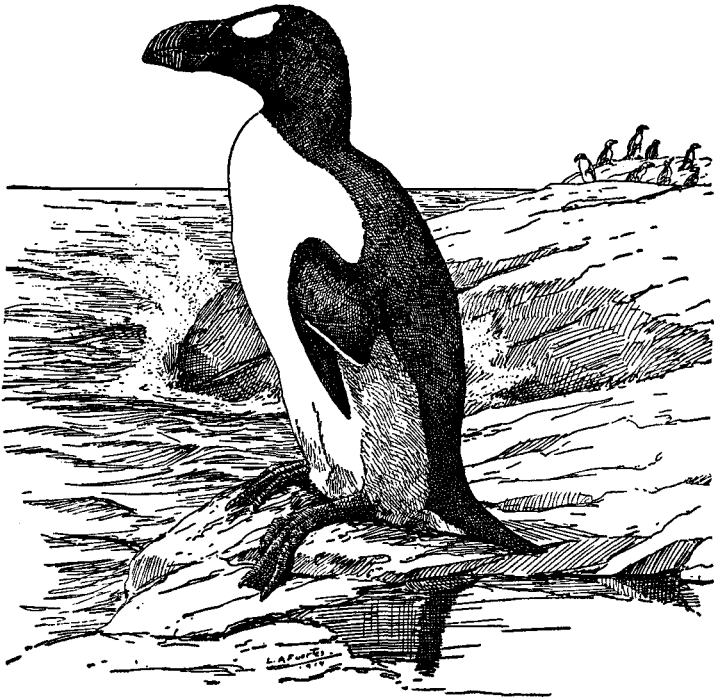
*A Quarterly Journal of Ornithology*

EDITOR

ROBERT W. STORER

ASSISTANT EDITOR

WILLIAM R. DAWSON



VOLUME 72

---

PUBLISHED BY

**The American Ornithologists' Union**

LANCASTER, PENNSYLVANIA

1955

DATES OF ISSUE OF 'THE AUK'

VOL. 72, No. 1—FEBRUARY 28, 1955

VOL. 72, No. 2—MAY 16, 1955

VOL. 72, No. 3—AUGUST 9, 1955

VOL. 72, No. 4—NOVEMBER 2, 1955

# CONTENTS OF VOLUME 72

## NUMBER 1

THE FLIGHT OF THE BLACK-CAPPED CHICKADEE AND THE WHITE-BREASTED NUTHATCH. By <i>Crawford H. Greenewalt</i> . . . . .	1
THE GEOGRAPHIC DISTRIBUTION OF THE BLUE-EYED SHAGS, <i>Phalacrocorax albiventer</i> AND <i>Phalacrocorax atriceps</i> . By <i>F. Behn, J. D. Goodall, A. W. Johnson, and R. A. Philippi B.</i> . . . . .	6
NORTH AMERICAN MIGRANTS IN THE STATE OF VERACRUZ, MEXICO: A SUMMARY. By <i>Frederick W. Loetscher, Jr.</i> . . . . .	14
INVERTEBRATE NEST ASSOCIATES OF THE PRAIRIE WARBLER. By <i>Val Nolan, Jr.</i>	55
IN MEMORIAM: WINSOR MARRETT TYLER. By <i>Wendell Taber</i> . . . . .	62
THE SEVENTY-SECOND STATED MEETING OF THE AMERICAN ORNITHOLOGISTS' UNION. By <i>Harold Mayfield</i> . . . . .	66
OFFICERS, TRUSTEES, AND COMMITTEES OF THE AMERICAN ORNITHOLOGISTS' UNION . . . . .	77
GENERAL NOTES	
Birds in the Upper Arctic. By <i>Raymond A. Paynter, Jr.</i> . . . . .	79
Pine and Yellow-throated warblers Feeding on the White Pine Scale Insect. By <i>Maurice L. Russak</i> . . . . .	80
A Mixed Clutch of Ruffed Grouse and Ring-necked Pheasant Eggs Hatch on the Same Day. By <i>E. E. Kenaga, M. A. Wolf, and A. E. Doly</i> . . . . .	80
A Western North Atlantic Record for the Frigate Petrel ( <i>Pelagodroma marina hypoleuca</i> ). By <i>Malcolm S. Gordon</i> . . . . .	81
Sandhill Cranes in Yellowstone Park. By <i>James W. Caslick</i> . . . . .	82
A Case of Cannibalism by a Captive Tufted Titmouse ( <i>Parus bicolor</i> ). By <i>Paul A. Stewart</i> .	83
Bronzed Grackle ( <i>Quiscalus quiscula versicolor</i> ) nesting on Beaver Lodge. By <i>Harold H. Axtell</i> . . . . .	84
The Prothonotary Warbler in Surinam. By <i>F. Haverschmidt</i> . . . . .	84
Ruptured Heart in the Cardinal ( <i>Richmondia cardinalis</i> ). By <i>William C. Dilger</i> . . . . .	85
The Generic Name of the Spectacled Eider. By <i>Kenneth C. Parkes</i> . . . . .	85
Some Comments on Vaurie's Revision of the Muscicapini. By <i>S. Dillon Ripley</i> . . . . .	86
Notes on Cowbird Parasitism on Four Species. By <i>Walter P. Nickell</i> . . . . .	88
A New Name for <i>Garrulax montiliger bakeri</i> . By <i>R. M. deSchauensee</i> . . . . .	92
Colima Warbler ( <i>Vermivora crissalis</i> ) in Colima. By <i>J. Van Tyne</i> . . . . .	92
RECENT LITERATURE . . . . .	93
REPORT OF THE BIRD PROTECTION COMMITTEE. . . . .	110
NOTES AND NEWS . . . . .	112

## NUMBER 2

NATURAL HISTORY AND BREEDING BEHAVIOR OF THE TINAMOU, <i>Nothoprocta ornata</i> . By Anita K. and Oliver P. Pearson. . . . .	113
MEASUREMENT OF TERRITORY AND HOME RANGE SIZE IN BIRDS. By Eugene P. Odum and Edward J. Kuenzler. . . . .	128
SUMMER ECOLOGY OF OCEANIC BIRDS OFF SOUTHERN NEW ENGLAND. By Malcolm S. Gordon. . . . .	138
NOTES ON THE LIFE HISTORY OF TRAILL'S FLYCATCHER ( <i>Empidonax traillii</i> ) IN SOUTHEASTERN WASHINGTON. By James R. King . . . . .	148
FURTHER NOTES ON BIRDS OF THE LAKE PATZCUARO REGION, MEXICO. By Ernest P. Edwards and Paul S. Martin. . . . .	174
IN MEMORIAM: FRANCIS HENRY ALLEN. By Wendell Taber . . . . .	179
VARIATION OF SHAPE IN THE EGGS OF THE COMMON TERN IN THE CLUTCH-SEQUENCE. By Mary E. Gemperle and F. W. Preston . . . . .	184
REMARKS ON THE PIGEON, <i>Otidiphaps nobilis</i> GOULD. By Fred H. Glenney and Dean Amadon. . . . .	199
NOTES AND NEWS. . . . .	203
GENERAL NOTES	
Feeding Habits of the Everglade Kite ( <i>Rostrhamus sociabilis</i> ). By Robert Cushman Murphy	204
Possible Function of the Flicker's Black Breast Crescent. By Hervey Brackbill . . . . .	205
Status of the Black-poll'd, Bay-breasted, and Connecticut Warblers in Middle America. By Eugene Eisenmann . . . . .	206
The Type Locality of the Florida Sandhill Crane. By Pierce Brodkorb . . . . .	207
A Gull New to North America. By Burt L. Monroe, Jr. . . . .	208
Eastern Willet in Ohio. By Worth Randle and Emerson Kemsies . . . . .	208
A New Race of Least Bittern from Peru. By James Bond. . . . .	208
Philippine Bird Names of Blasius. By A. L. Rand. . . . .	210
Is the Starling Moving into Southern Florida? By Alexander Sprunt, Jr. . . . .	212
TREASURER'S REPORT . . . . .	213
STUDENT MEMBERSHIP AWARDS. . . . .	215
REVIEWS . . . . .	216
RECENT LITERATURE. Edited by Frank McKinney. . . . .	219

## NUMBER 3

LAND BIRDS OVER THE WESTERN NORTH ATLANTIC. By Susan Irving Scholander . . . . .	225
REMARKS ON THE ORIGINAL SOURCES OF DISPLAYS. By Martin Moynihan . . . . .	240
TYPES OF HOSTILE DISPLAY. By M. Moynihan . . . . .	247
THE EXPRESSION OF INNATE REPRODUCTIVE RHYTHM UNDER CONDITIONS OF WINTER LIGHTING. By Alden H. Miller . . . . .	260

IN MEMORIAM: ELSIE MARGARET BINGER NAUMBURG. By <i>John T. Zimmer</i> . . .	265
OBSERVATIONS ON THE AVIFAUNA OF AN OZARK PLATEAU. By <i>Philip S. Callahan</i> and <i>Howard Young</i> . . . . .	267
SEXING MATURE COLUMBIFORMES BY CLOACAL CHARACTERS. By <i>Wilmer J. Miller</i> and <i>Frederic H. Wagner</i> . . . . .	279
THE MOLT OF HUMMINGBIRDS. By <i>Helmuth O. Wagner</i> . . . . .	286
THIRTIETH SUPPLEMENT TO THE AMERICAN ORNITHOLOGISTS' UNION CHECK-LIST OF NORTH AMERICAN BIRDS . . . . .	292
GENERAL NOTES	
Mockingbird Attacking Blacksnake. By <i>Thomas W. Hicks</i> . . . . .	296
Apparent Copulation of Baldpate in Central Massachusetts. By <i>L. M. Bartlett</i> and <i>Gerry Atwell</i> . . . . .	297
Barn Owls with Two Broods of Young. By <i>F. Victor Morejohn</i> . . . . .	298
Ross's Goose in Texas. By <i>Raymond J. Buller</i> . . . . .	298
A Record of the Mexican Crossbill ( <i>Loxia curvirostra stricklandi</i> ) from Fort Worth, Texas. By <i>Warren M. Pulich</i> . . . . .	299
The Identity of <i>Pyrrota valeryi</i> J. and E. Verreaux. By <i>Robert W. Storer</i> . . . . .	299
Suggestions Regarding Alcoholic Specimens and Skeletons of Birds. By <i>Andrew J. Berger</i> .	300
Chipping Sparrow with song of Clay-colored Sparrow at Toronto. By <i>Ronald R. Tasker</i> . .	303
REVIEWS . . . . .	304
RECENT LITERATURE, Edited by <i>Frank McKinney</i> . . . . .	316
OBITUARIES	
Anastasio Alfaro (Gonzalez); Herbert William Brandt; John Milton Edson; Harry Harris; Ludwig Schuster; Alice Hall Walter . . . . .	321

---

NUMBER 4

NOTES ON THE LIFE HISTORY OF <i>Todirostrum maculatum</i> IN SURINAM. By <i>F. Haverschmidt</i> . . . . .	325
IN MEMORIAM: ARTHUR CLEVELAND BENT. By <i>Wendell Taber</i> . . . . .	332
ON THE HEARING OF BIRDS. By <i>Johann Schwartzkopff</i> . . . . .	340
NOTES ON A FALL MIGRATION AT MATINICUS ROCK, MAINE. By <i>Rosario Mazzeo</i> . . . . .	348
HOMING FLIGHTS AND ORIENTATION OF PIGEONS. By <i>Harold B. Hitchcock</i> . . . . .	355
CENSUSING SOUTHERN MICHIGAN SANDHILL CRANES. By <i>Lawrence H. Walkinshaw</i> and <i>Harold F. Wing</i> . . . . .	374
SEASONAL CHANGES IN THE ENERGY BALANCE OF THE ENGLISH SPARROW. By <i>Earle A. Davis, Jr.</i> . . . . .	385
GENERAL NOTES	
Reappearance of Newell's Shearwater in Hawaii. By <i>Frank Richardson</i> . . . . .	412
A New Form of Corapipo from Cerro Marahuaca, Amazonas, Venezuela. By <i>Ventura Barnés, Jr.</i> . . . . .	412

The Behavior of Birds Under Stress. By <i>Alexander W. Blain</i> , M.D. . . . .	413
Evidence for Iron Staining as the Cause of Rusty Discoloration of Normally White Feathers in Anserine Birds. By <i>E. O. Höhn</i> . . . . .	414
Flight Behavior of the Procellariiformes. By <i>John G. Erickson</i> . . . . .	415
The Generic Allocation of the Green-tailed Towhee. By <i>Charles G. Sibley</i> . . . . .	420
A Hybrid Longspur from Saskatchewan. By <i>Charles G. Sibley</i> and <i>Olin Sewall Pettingill, Jr.</i>	423
Cattle Egret, Marbled Godwit, Surfbird and Brown-chested Martin in Panama. By <i>Eugene Eisenmann</i> . . . . .	426
Further Notes on Korean Birds. By <i>J. T. Moyer</i> . . . . .	428
Pintails Harassing a Short-eared Owl. By <i>John G. Erickson</i> . . . . .	431
REVIEWS . . . . .	432
RECENT LITERATURE. Edited by <i>Frank McKinney</i> . . . . .	434
OBITUARY . . . . .	448
INDEX TO VOLUME 72. Prepared by <i>Col. L. R. Wolfe</i> . . . . .	449
TITLE-PAGE . . . . .	i
DATES OF PUBLICATION . . . . .	ii
CONTENTS OF VOLUME 72. . . . .	iii
CORRIGENDA . . . . .	vii

## LIST OF PLATES

Plate	Opposite page
1. GREENEWALT: White-breasted Nuthatches Landing and Taking off . . . . .	1
2. GREENEWALT: Black-capped Chickadees in Flight . . . . .	1
3. GREENEWALT: White-breasted Nuthatches in Flight . . . . .	4
4. GREENEWALT: Tufted Titmouse and Black-capped Chickadees in Flight . . . . .	5
5. BEHN <i>et al.</i> Blue-eyed Shags at Colony in Tierra del Fuego. . . . .	12
6. BEHN <i>et al.</i> Blue-eyed Shags at Colony in Tierra del Fuego. . . . .	13
7. TABER: Winsor Marrett Tyler. . . . .	64
8. HERMES: Saw-whet Owl in Action. . . . .	113
9. HERMES: Saw-whet Owl in Action. . . . .	113
10. PEARSON AND PEARSON: <i>Nothoprocta ornata</i> —Habitat in Peru. . . . .	120
11. TABER: Francis Henry Allen. . . . .	180
12. ZIMMER: Elsie Margaret Binger Naumburg. . . . .	265
13. MILLER AND WAGNER: The Sexing of Pigeons and Doves . . . . .	280
14. MILLER AND WAGNER: The Sexing of Pigeons and Doves. . . . .	281
15. HAVERSCHMIDT: The Spotted Tody-tyrant . . . . .	325
16. TABER: Arthur Cleveland Bent . . . . .	332
17. WALKINSHAW AND WING: Sandhill Crane in Michigan. . . . .	380
18. RICHARDSON: Newell's Shearwater. . . . .	412



**CORRIGENDA**

Pages 2 and 3, Tables 1 and 2; for 'Acceleration in meters per second,' read 'Acceleration in meters per second<sup>2</sup>,' and for 'Acceleration in miles per hour,' read 'Acceleration in miles per hour<sup>2</sup>.'

Page 21, lines 19 and 20 should read:

'55 (B-2) Rivera, near sea-level; location on sketch-map open to doubt.  
Romatlan. Not definitely determined, but said to be near Córdoba.'

Page 35, line 20: for 'then' read 'than.'

Page 39, sixth line from bottom: for 'April 16,' read 'April 13.'

Page 88, sixth line from bottom: for '*Icterus*,' read '*Icteria*.'

Page 191, third line from bottom: for ' $R = D^2/8$ ,' read ' $R = D^2/8\delta$ .'

Page 310, line 31: for 'earier,' read 'earlier.'

# THE AUK

A Quarterly Journal of Ornithology

ORGAN OF THE AMERICAN ORNITHOLOGISTS' UNION

For publication in 'The Auk,' articles or notes must present material that is of significance to ornithologists and that has not been published elsewhere. All manuscripts should be typewritten, double spaced, with wide margins. Titles should be brief. Terminal bibliographies are used as a rule for long articles. Only works actually cited in the text are to be included in these bibliographies; works not so cited will be deleted by the editors. Where fewer than five references to literature are made, they may be inserted in parentheses in the text. References in manuscript for 'General Notes' should be in the text. Consult issues of 'The Auk' since January, 1949, for style of citation. Long articles should be summarized briefly. Footnotes, Roman numerals, and ruled tables are to be avoided. Acknowledgments belong in the text. Line drawings must be in India ink on white paper or drawing board; usually these should be planned for at least one-half reduction when printed. Thus, details and lettering must be correspondingly large. Legends must be brief. Photographs must be hard, glossy prints of good contrast. Common and scientific names of North American birds should follow the A.O.U. Check-List and supplements except in taxonomic papers giving critical discussions.

Proofs of all articles and notes will be sent to authors. Reprints from articles, 'General Notes,' and 'Correspondence' are to be paid for by the author. These must be ordered from the Editor on the blanks sent with the proof and must be returned with the proof. Printed covers can be furnished at additional cost.

All articles and notes submitted for publication and all books and publications intended for review should be sent to the Editor.

ROBERT W. STORER, *Museum of Zoology, University of Michigan, Ann Arbor Michigan.*

All persons interested in ornithology are invited to join the American Ornithologists' Union. Application may be made to the Treasurer; dues for Members are \$4.00 per year. 'The Auk' is sent without charge to all classes of members not in arrears for dues.

Send changes of address, claims for undelivered or defective copies of 'The Auk,' and requests for information relative to advertising, subscriptions, back numbers of 'The Auk,' as well as for other publications of the Union, to the Treasurer.

CHARLES G. SIBLEY, *Fernow Hall, Cornell University, Ithaca, New York.*

---

## OFFICERS OF THE AMERICAN ORNITHOLOGISTS' UNION

*President:* ALDEN H. MILLER, University of California, Museum of Vertebrate Zoology, Berkeley 4, California.

*First Vice-President:* LUDLOW GRISCOM, Harvard University, Museum of Comparative Zoology, Cambridge 38, Massachusetts.

*Second Vice-President:* ERNST MAYR, Harvard University, Museum of Comparative Zoology, Cambridge 38, Massachusetts.

*Editor:* ROBERT W. STORER, University of Michigan, Museum of Zoology, Ann Arbor, Michigan.

*Secretary:* HAROLD F. MAYFIELD, 2557 Portsmouth Avenue, Toledo 13, Ohio.

*Treasurer:* CHARLES G. SIBLEY, Cornell University, Fernow Hall, Ithaca, New York

OAKLEIGH THORNE, II  
Ecologist, Conservationist

*Says:*

The winter and breeding bird studies in *Audubon Field Notes* are most interesting to the student of natural bird populations. Many new areas are covered each year, as well as new reports on old areas. Bird ranges and populations are constantly changing, and for one to keep up with these, *Audubon Field Notes* is a key publication.

### AUDUBON FIELD NOTES

**SUBSCRIBE TODAY!**

Subscription for one year..... \$3.00    Subscription for two years..... \$5.50  
Subscription for three years. \$7.50

(Separate copies of April issue—Christmas Bird Count \$2.00)

1130 Fifth Avenue, New York 28. N. Y.

## "Recent Studies in Avian Biology"

This volume, prepared by the Research Committee of the American Ornithologists' Union, is to be ready for distribution on or about December 1, 1955.

It contains chapters, written by well-known ornithologists, on many aspects of the biology of birds. Behavior, anatomy, migration, speciation and other phases of avian biology are covered.

• • •

Order your copy from the

AMERICAN ORNITHOLOGISTS' UNION

CHARLES G. SIBLEY, *Treasurer*

Fernow Hall, Cornell University

Ithaca, New York

Price \$7.50, postpaid.