

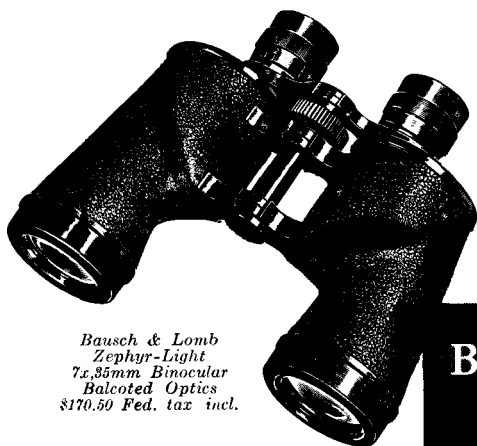


FARIDA WILEY is assistant chairman of the Department of Public Instruction at the American Museum of Natural History. For many years she has conducted natural science field trips sponsored by the Museum, and is an instructor at the Audubon Camp of Maine. Miss Wiley is the author of "Ferns of Northeastern United States," and compiler of "John Burrough's America" and "Ernest Thompson Seton's America."

"An invaluable aid to the naturalist . . ."

WRITES FARIDA WILEY: "On Museum bird walks in Central Park I have come to realize that those persons who use binoculars of high quality get much more pleasure out of their hours afield. A glass, such as Bausch & Lomb, that is free of color distortion and which produces sharp, bright images even under dim light conditions, is an invaluable aid to the naturalist whether he be professional or amateur."

Farida C. Wiley



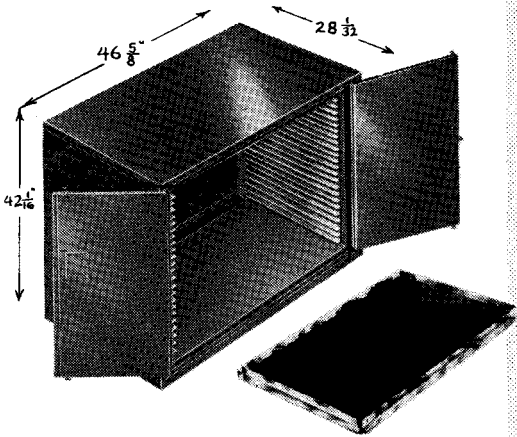
*Bausch & Lomb
Zephyr-Light
7x35mm Binocular
Balcoated Optics
\$170.50 Fed. tax incl.*

WRITE FOR FREE CATALOG.

32 pages of useful information you should know before you buy any binocular. Tells how to select a glass for your own use. Bausch & Lomb Optical Co., 12237 Lomb Park, Rochester 2, N. Y.

BAUSCH & LOMB

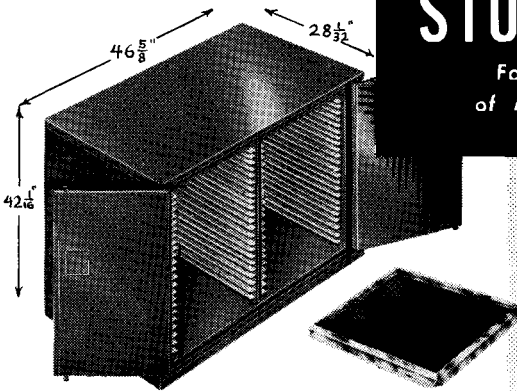




Skin Case #201 for Large Trays

**SKIN CASES
FOR
MAXIMUM
PROTECTION
CONVENIENCE
ECONOMY!**

Lane



Skin Case #202 for Small Trays

ZOOLOGICAL AND ORNITHOLOGICAL

SPECIMEN STORAGE CASE

*For Protective Storage
of Mammal & Bird Skins*

- Locked "Live Rubber" Seal
- Sturdy double panel doors
- Locking mechanism secures both doors
- Tray guides permit maximum position of tray positions
- Fumigant Compartment
- Specimen Trays of aluminum and masonite — light weight — easy to handle.

FOR ILLUSTRATED BROCHURE WRITE

Institutional Division

CHAS. J.

Lane CORP.

105 CHAMBERS STREET, NEW YORK 7, N. Y.

THE AUK

A Quarterly Journal of Ornithology

ORGAN OF THE AMERICAN ORNITHOLOGISTS' UNION

For publication in 'The Auk,' articles or notes must present material that is of significance to ornithologists and that has not been published elsewhere. All manuscripts should be typewritten, double spaced, with wide margins. Titles should be brief. Terminal bibliographies are used as a rule for long articles. Only works actually cited in the text are to be included in these bibliographies; works not so cited will be deleted by the editors. Where fewer than five references to literature are made, they may be inserted in parentheses in the text. References in manuscript for 'General Notes' should be in the text. Consult issues of 'The Auk' since January 1949, for style of citation. Long articles should be summarized briefly. Footnotes, Roman numerals, and ruled tables are to be avoided. Acknowledgments belong in the text. Line drawings must be in India ink on white paper or drawing board; usually these should be planned for at least one-half reduction when printed. Thus, details and lettering must be correspondingly large. Legends must be brief. Photographs must be hard, glossy prints of good contrast. Common and scientific names of North American birds should follow the A.O.U. Check-List and supplements except in taxonomic papers giving critical discussions.

Proofs of all articles and notes will be sent to authors. Reprints from articles, 'General Notes,' and 'Correspondence' are to be paid for by the author. These must be ordered from the Editor on the blanks sent with the proof and must be returned with the proof. Printed covers can be furnished at additional cost.

All articles and notes submitted for publication and all books and publications intended for review should be sent to the Editor.

ROBERT W. STORER, *Museum of Zoology, University of Michigan, Ann Arbor, Michigan.*

All persons interested in ornithology are invited to join the American Ornithologists' Union. Application may be made to the Treasurer; dues for Members are \$4.00 per year. 'The Auk' is sent without charge to all classes of members not in arrears for dues.

Send changes of address, claims for undelivered or defective copies of 'The Auk,' and requests for information relative to advertising, subscriptions, back numbers of 'The Auk,' as well as for other publications of the Union, to the Treasurer.

CHARLES G. SIBLEY, *Fernow Hall, Cornell University, Ithaca, New York.*

OFFICERS OF THE AMERICAN ORNITHOLOGISTS' UNION

President: ALDEN H. MILLER, University of California, Museum of Vertebrate Zoology, Berkeley 4, California.

First Vice-President: LUDLOW GRISCOM, Harvard University, Museum of Comparative Zoology, Cambridge 38, Massachusetts.

Second Vice-President: ERNST MAYR, Harvard University, Museum of Comparative Zoology, Cambridge 38, Massachusetts.

Editor: ROBERT W. STORER, University of Michigan, Museum of Zoology, Ann Arbor, Michigan.

Secretary: HAROLD F. MAYFIELD, 2557 Portsmouth Avenue, Toledo 13, Ohio.

Treasurer: CHARLES G. SIBLEY, Cornell University, Fernow Hall, Ithaca, New York.

JOSEPH J. HICKEY
Associate Professor,
University of Wisconsin

Says:

"What one magazine regularly summarized the magnificent sweep of bird migration up and down a continent? What but the Christmas Bird Count has—for half a century—epitomized the exciting sport of bird study? What other periodical annually carries exacting censuses of our birdlife on a habitat basis? And where else each year could one regularly follow the spectacular ebb and flow of North America's bird populations?

It is *Audubon Field Notes*, of course. Your subscription to it is an ornithological guarantee of interesting reading."

Subscription: One year \$3.00 Two years \$5.50 Three years \$7.50

Separate copies of April issue—Christmas Bird Count—\$2.00

NATIONAL AUDUBON SOCIETY
1130 Fifth Avenue, New York 28, N. Y.

BIOGRAPHIES OF MEMBERS
OF THE
AMERICAN ORNITHOLOGISTS' UNION

BY

DR. T. S. PALMER AND OTHERS

Containing 1,200 biographies reprinted from
"The Auk," 1884-1954.

Price: Bound \$5.00; Unbound \$4.00

• • •

Ten Year Indexes to "The Auk" at
\$4.00 bound, \$3.00 unbound.

Check-list Supplements at \$.25 each.

Price list of available back issues of
"The Auk" will be sent upon request.

• • •

CHARLES G. SIBLEY, Treasurer
Fernow Hall, Cornell University, Ithaca, N. Y.