

RICHARD STUART PHILLIPS, author and educator, lives in Findlay, Ohio, with his wife and two young children, Nancy and Thomas Stuart. He is the author of many articles that have appeared in *Audubon Magazine*, *Nature Magazine*, *Field and Stream*, and in many other conservation journals. He has also written a book, *Birds of Hancock County, Ohio*. His chief interest at present is in field work on the birds of Mexico.



“Utmost in Contrast and Brilliance of Image”

Writes **RICHARD STUART PHILLIPS**: “During adverse weather conditions, or in heavy woodland or jungle, the ornithologist soon learns to appreciate a binocular that offers the utmost in contrast and brilliance of image.”

Richard Stuart Phillips

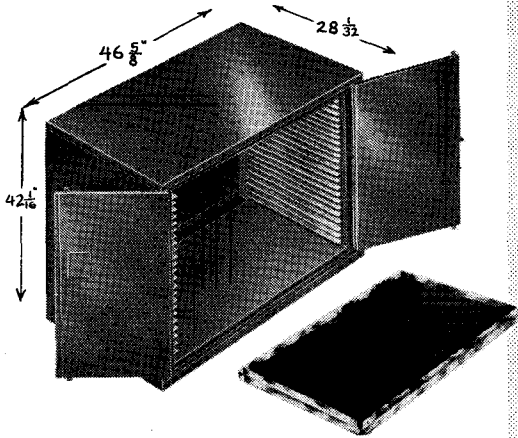


*Bausch & Lomb
Zephyr-Light
7X35mm. Binocular
Balcoated Optics
\$186, Fed. tax incl.*

WRITE FOR FREE CATALOG. 32 pages of useful information you should know before you buy any binocular. Tells how to select a glass for your own use. *Bausch & Lomb Optical Co., 12225 Lomb Park, Rochester 2, N. Y.*

BAUSCH & LOMB

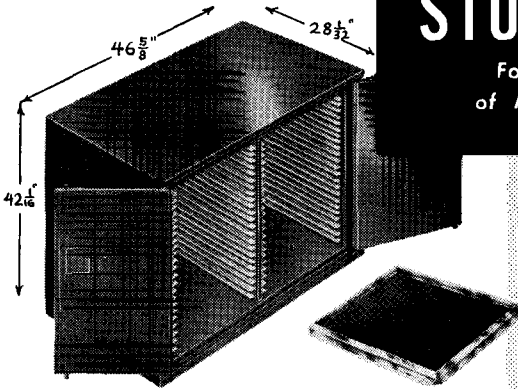
SINCE  1853



Skin Case #201 for Large Trays

**SKIN CASES
FOR
MAXIMUM
PROTECTION
CONVENIENCE
ECONOMY!**

Lane



Skin Case #202 for Small Trays

ZOOLOGICAL AND ORNITHOLOGICAL

**SPECIMEN
STORAGE CASE**

*For Protective Storage
of Mammal & Bird Skins*

- Locked "Live Rubber" Seal
- Sturdy double panel doors
- Locking mechanism secures both doors
- Tray guides permit maximum position of tray positions
- Fumigant Compartment
- Specimen Trays of aluminum and masonite — light weight — easy to handle.

FOR ILLUSTRATED BROCHURE WRITE

Institutional Division

CHAS J

Lane CORP

105 CHAMBERS STREET NEW YORK 7, N. Y.

THE AUK

A Quarterly Journal of Ornithology

ORGAN OF THE AMERICAN ORNITHOLOGISTS' UNION

For publication in 'The Auk,' articles or notes must present material that is of significance to ornithologists and that has not been published elsewhere. All manuscripts should be typewritten, double spaced, with wide margins. Titles should be brief. Terminal bibliographies are used as a rule for long articles. Only works actually cited in the text are to be included in these bibliographies; works not so cited will be deleted by the editors. Where fewer than five references to literature are made, they may be inserted in parentheses in the text. References in manuscript for 'General Notes' should be in the text. Consult issues of 'The Auk' since January, 1949, for style of citation. Long articles should be summarized briefly. Footnotes, Roman numerals, and ruled tables are to be avoided. Acknowledgments belong in the text. Line drawings must be in India ink on white paper or drawing board; usually these should be planned for at least one-half reduction when printed. Thus, details and lettering must be correspondingly large. Legends must be brief. Photographs must be hard, glossy prints of good contrast. Common and scientific names of North American birds should follow the A.O.U. Check-List and supplements except in taxonomic papers giving critical discussions.

Proofs of all articles and notes will be sent to authors. Reprints from articles, 'General Notes,' and 'Correspondence' are to be paid for by the author. These must be ordered from the Editor on the blanks sent with the proof and must be returned with the proof. Printed covers can be furnished at additional cost.

All articles and notes submitted for publication and all books and publications intended for review should be sent to the Editor.

ROBERT W. STORER, *Museum of Zoology, University of Michigan, Ann Arbor, Michigan.*

All persons interested in ornithology are invited to join the American Ornithologists' Union. Application may be made to the Treasurer; dues for Associates are \$4.00 per year. 'The Auk' is sent without charge to all classes of members not in arrears for dues.

Send changes of address, claims for undelivered or defective copies of 'The Auk,' and requests for information relative to advertising, subscriptions, back numbers of 'The Auk,' as well as for other publications of the Union, to the Treasurer.

CHARLES G. SIBLEY, *Fernow Hall, Cornell University, Ithaca, New York.*

OFFICERS OF THE AMERICAN ORNITHOLOGISTS' UNION

President: ALDEN H. MILLER, University of California, Museum of Vertebrate Zoology, Berkeley 4, California.

First Vice-President: LUDLOW GRISCOM, Harvard University, Museum of Comparative Zoology, Cambridge 38, Massachusetts.

Second Vice-President: ERNST MAYR, Harvard University, Museum of Comparative Zoology, Cambridge 38, Massachusetts.

Editor: ROBERT W. STORER, University of Michigan, Museum of Zoology, Ann Arbor, Michigan.

Secretary: HAROLD F. MAYFIELD, 2557 Portsmouth Avenue, Toledo 13, Ohio.

Treasurer: CHARLES G. SIBLEY, Cornell University, Fernow Hall, Ithaca, New York.

HAROLD D. MITCHELL

New President, Federation of
New York State Bird Clubs

Says

As one interested in the distribution of birds of all seasons, I look forward with keen anticipation to every copy of *Audubon Field Notes*. For example, this fall we are noticing a southern movement into our Western New York area of Arctic Three-toed Woodpeckers (the first in many years) and a rather large influx of Great Shrikes. How far south will these birds winter and will the movement cover the whole northern tier of states or only a limited area? The *Audubon Field Notes* will have the answer, both in the regional reports, and in the Christmas Bird Count.

AUDUBON FIELD NOTES

1130 Fifth Avenue, New York 28, N. Y

Subscribe today! \$3 per year

**WAREHOUSE DISTRIBUTORS OF
ORNITHOLOGICAL COLLECTING SUPPLIES**

TOOLS—All Available Makes

SHOT—We stock hard to get #12's, and all other sizes of chilled shot

WADS—10, 12, 16, 20 and 410 Gauge Wads for Shotshells

POWDER—We actually store in our own magazines all the numbers of
DuPONT and HERCULES Rifle and Shotgun Powders—
Both SMOKELESS and BLACK

PRIMERS—All Sizes

Write Us About Your Collector's Loading Problems

**We Are the Largest Exclusive Distributors of Ammunition Loading
Material in the World**

**PRECISION TOOL & GUN CO.
303-305 E. Upland Road, Ithaca, N. Y.**

We Have a Book Catalog for You

Catalogs issued semi-annually—books on birds, mammals and other natural history subjects; current, out-of-print titles, and serials. Catalog sent on request.

We buy natural history books. Generous prices, prompt payment. We are interested in buying single volumes or complete collections of books.

**PIERCE BOOK COMPANY
Dealers in Natural History Books
Winthrop, Iowa**