

HAL H. HARRISON

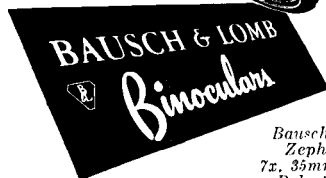
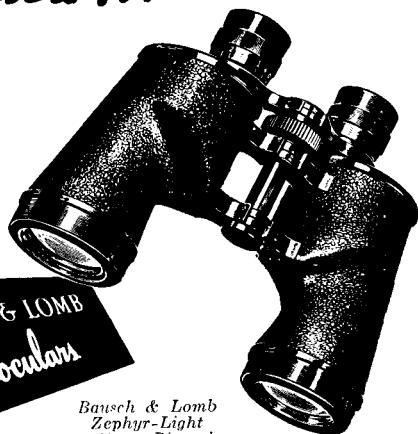
Author-photographer-lecturer Hal Harrison is one of the most widely-read wildlife experts in the U. S. His pictures and stories have appeared in Life, Saturday Evening Post, Collier's, National Geographic and dozens of other well-known magazines. His excellent wildlife motion pictures in natural color, in which he does the narrating have been viewed by thousands. Mr. Harrison lives with his wife and two teen-age daughters in Tarentum, Pa., where he is wildlife editor of the Pittsburgh Post-Gazette.

“No other glass can do the job as well . . . ”

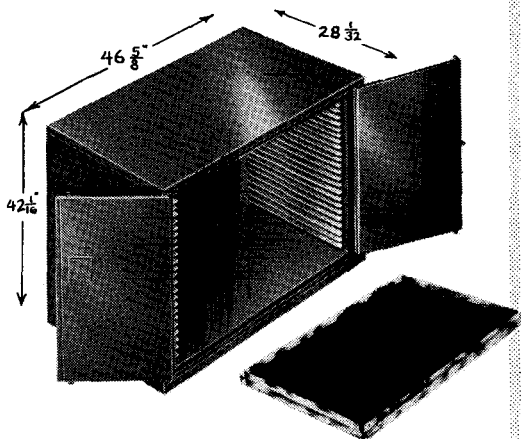
WRITES HAL HARRISON: “In the successful photography of wildlife, I consider a good binocular as essential as a good camera. Much of my work must be done in poor light and under adverse conditions. Here I depend on my Bausch & Lomb binocular to ‘see’ my subject quickly and clearly. No other glass I have ever tried can do the job as well as Bausch & Lomb. I recommend it without reservation.”

Hal H. Harrison

WRITE FOR FREE CATALOG: 32 pages of useful information you should know before you buy any binocular. Tells how to select a glass for your own use. Bausch & Lomb Optical Co., 12219 Bausch St., Rochester 2, N. Y.



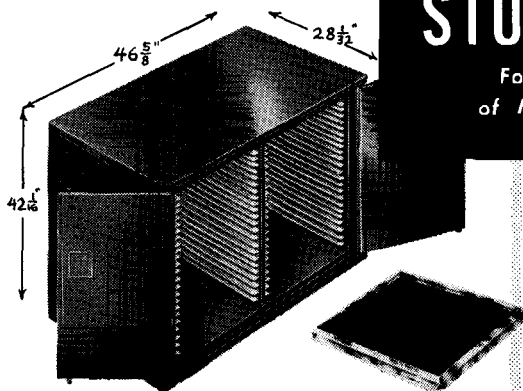
Bausch & Lomb
Zephyr-Light
7x, 35mm Binocular
Balcoted Optics
\$186, Federal Tax incl.



Skin Case #201 for Large Trays

**SKIN CASES
FOR
MAXIMUM
PROTECTION
CONVENIENCE
ECONOMY!**

Lane



Skin Case #202 for Small Trays

ZOOLOGICAL AND ORNITHOLOGICAL

SPECIMEN STORAGE CASE

*For Protective Storage
of Mammal & Bird Skins*

- Locked "Live Rubber" Seal
- Sturdy double panel doors
- Locking mechanism secures both doors
- Tray guides permit maximum position of tray positions
- Fumigant Compartment
- Specimen Trays of aluminum and masonite — light weight — easy to handle.

FOR ILLUSTRATED BROCHURE WRITE

Institutional Division

CHAS J *Lane* CORP

105 CHAMBERS STREET, NEW YORK 7, N. Y.

THE AUK

A Quarterly Journal of Ornithology

ORGAN OF THE AMERICAN ORNITHOLOGISTS' UNION

For publication in 'The Auk,' articles or notes must present material that is of significance to ornithologists and that has not been published elsewhere. All manuscripts should be typewritten, double spaced, with wide margins. Titles should be brief. Terminal bibliographies are used as a rule for long articles. Only works actually cited in the text are to be included in these bibliographies; works not so cited will be deleted by the editors. Where fewer than five references to literature are made, they may be inserted in parentheses in the text. References in manuscript for 'General Notes' should be in the text. Consult issues of 'The Auk' since January, 1949, for style of citation. Long articles should be summarized briefly. Footnotes, Roman numerals, and ruled tables are to be avoided. Acknowledgments belong in the text. Line drawings must be in India ink on white paper or drawing board; usually these should be planned for at least one-half reduction when printed. Thus, details and lettering must be correspondingly large. Legends must be brief. Photographs must be hard, glossy prints of good contrast. Common and scientific names of North American birds should follow the A.O.U. Check-List and supplements except in taxonomic papers giving critical discussions.

Proofs of all articles and notes will be sent to authors. Reprints from articles, 'General Notes,' and 'Correspondence' are to be paid for by the author. These must be ordered from the Editor on the blanks sent with the proof and must be returned with the proof. Printed covers can be furnished at additional cost.

All articles and notes submitted for publication and all books and publications intended for review should be sent to the Editor,

ROBERT W. STORER, *Museum of Zoology, University of Michigan, Ann Arbor, Michigan.*

All persons interested in ornithology are invited to join the American Ornithologists' Union. Application may be made to the Treasurer; dues for Associates are \$4.00 per year. 'The Auk' is sent without charge to all classes of members not in arrears for dues.

Send changes of address, claims for undelivered or defective copies of 'The Auk,' and requests for information relative to advertising, subscriptions, back numbers of 'The Auk,' as well as for other publications of the Union, to the Treasurer,

R. ALLYN MOSER, 911 S. 89th St., Omaha 6, Nebraska.

OFFICERS OF THE AMERICAN ORNITHOLOGISTS' UNION

President: JOSSELYN VAN TYNE, University of Michigan Museum of Zoology, Ann Arbor, Michigan.

Vice-Presidents: ALDEN H. MILLER, University of California Museum of Vertebrate Zoology, Berkeley 4, California.

LUDLOW GRISCOM, Museum of Comparative Zoology, Cambridge 38, Mass.

Secretary: ALBERT WOLFSON, Northwestern University, Evanston, Illinois.

Treasurer: R. ALLYN MOSER, 911 South 89th Street, Omaha 6, Nebraska.

HELEN AND ALLAN CRUICKSHANK *Say*
Nature Photographers and Authors

Before each photography trip we carefully study our file of Audubon Field Notes. There is no better way to get a clear picture of the species one may expect to find at any given season in any area. Every naturalist, no matter what his special interest may be, will find *Audubon Field Notes* invaluable.

AUDUBON FIELD NOTES

1130 Fifth Avenue,
New York 28, N. Y.

Subscribe today!
\$2 a year (six issues)



DO YOU KNOW HOW?

How to use a binocular most efficiently? How to check it for good condition? How to pick the right model for your purpose? For practical details read our articles "Know Your Binoculars" published in *Audubon Magazine* (Reviewed on Page 97). Fully illustrated reprint 10c; free on mention of membership in the A.O.U.

IF YOU NEED A BINOCULAR send for our list of new and reconditioned glasses—American, German and Japanese at importers' prices. ALL are guaranteed adjusted to U. S. Government specifications. Liberal trade-in. We ship on 20 days' trial with full refund.

IF YOUR GLASS NEEDS REPAIR send it to us for free estimate. We repair and hardcoat all makes, and have been serving birders since 1923.

If you have a binocular problem—let us help you solve it.

MIRAKEL REPAIR CO.
Mount Vernon 10, N. Y.

We Have a Book Catalog for You

Catalogs issued semi-annually—books on birds, mammals and other natural history subjects; current, out-of-print titles, and serials. Catalog sent on request.

We buy natural history books. Generous prices, prompt payment. We are interested in buying single volumes or complete collections of books.

PIERCE BOOK COMPANY
Dealers in Natural History Books
Winthrop, Iowa