

**TOM AND ARLENE HADLEY**, a nature team, have appeared throughout the nation on Audubon Screen Tour Lectures. They are shown here recording the songs of birds with the aid of a parabolic sound reflector. Formerly a General Motors executive, Mr. Hadley has infected thousands with his enthusiasm as a naturalist, wild-life photographer and philosopher.



*'For intimate,  
exciting  
close-ups'*

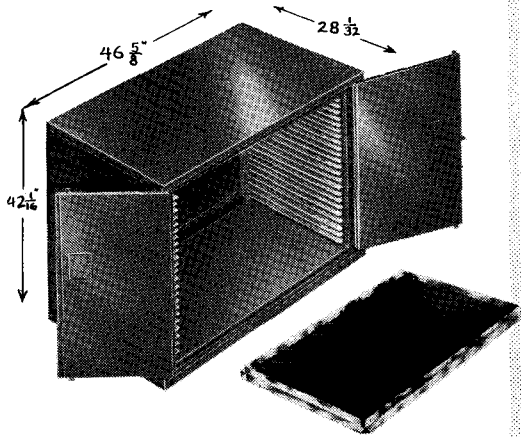
Bausch & Lomb binoculars are to the eyes what a parabolic reflector is to the ears . . . they both bring out the detailed beauty of the Out-of-Doors in rich, clear, sharp focus . . . intimate, exciting close-ups of wild-life in their native habitat.

*Tom & Arlene Hadley*

WRITE FOR FREE CATALOG. 32 pages of useful information you should know before you buy any binocular. Tells how to select a glass for your own use. Bausch & Lomb Optical Co., 12210 Lomb Park, Rochester 2, N. Y.



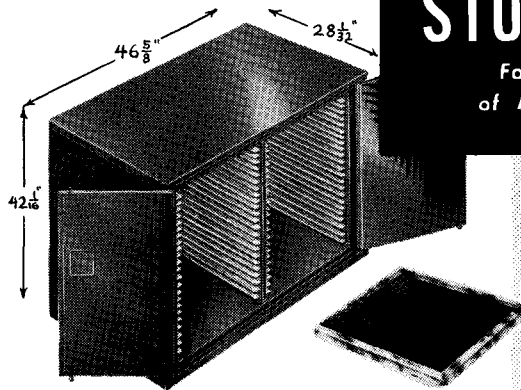
Bausch & Lomb  
Zephyr-Light  
Balcoated Optics  
7x.35mm Binocular  
\$155, plus tax



Skin Case #201 for Large Trays

**SKIN CASES  
FOR  
MAXIMUM  
PROTECTION  
CONVENIENCE  
ECONOMY!**

*Lane*



Skin Case #202 for Small Trays

ZOOLOGICAL AND ORNITHOLOGICAL

**SPECIMEN  
STORAGE CASE**

*For Protective Storage  
of Mammal & Bird Skins*

- Locked "Live Rubber" Seal
- Sturdy double panel doors
- Locking mechanism secures both doors
- Tray guides permit maximum position of tray positions
- Fumigant Compartment
- Specimen Trays of aluminum and masonite — light weight — easy to handle.

FOR ILLUSTRATED BROCHURE WRITE

**Institutional Division**

CHAS. J. *Lane* CORP.

46 West Broadway, New York 7, N. Y.

# The Auk

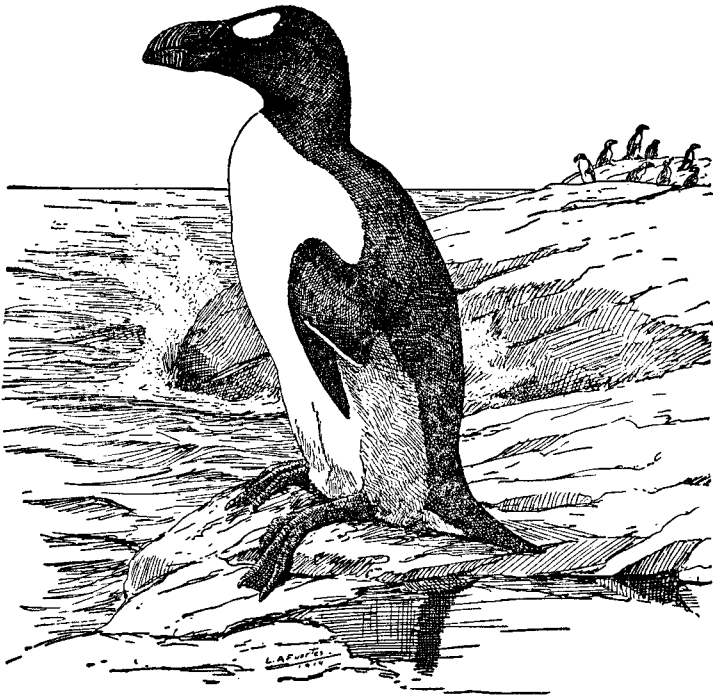
A Quarterly Journal of Ornithology

EDITOR

HARVEY I. FISHER

ASSISTANT EDITOR

ROBERT W. STORER



VOLUME 69

---

PUBLISHED BY

**The American Ornithologists' Union**

LANCASTER, PENNSYLVANIA

1952

**DATES OF ISSUE OF 'THE AUK'**

**VOL. 69, No. 1—January 2, 1952**

**VOL. 69, No. 2—April 5, 1952**

**VOL. 69, No. 3—July 7, 1952**

**VOL. 69, No. 4—November 25, 1952**

# CONTENTS OF VOLUME 69

---

## NUMBER 1

THE RELATIONSHIPS OF CERTAIN BIRDS AS INDICATED BY THEIR EGG WHITE PROTEINS. By <i>Robert A. McCabe and Harold F. Deutsch</i> . . . . .	1
IN MEMORIAM: FLORENCE MERRIAM BAILEY. By <i>Paul H. Oehser</i> . . . . .	19
PRINCIPLES AND PRACTICES IN COLLECTING AND TAXONOMIC WORK. By <i>Josselyn Van Tyne</i> . . . . .	27
A TRANS-GULF MIGRATION. By <i>Harvey R. Bullis, Jr., and Frederick C. Lincoln</i> . . . . .	34
THE AIR SACS OF THE LOON. By <i>H. T. Gier</i> . . . . .	40
MOLTING OF NORTHERN YELLOW-THROAT IN SOUTHERN MICHIGAN. By <i>Robert E. Stewart</i> . . . . .	50
SOME BIRDS FROM THE PALENQUE REGION OF NORTHEASTERN CHIAPAS, MEXICO. By <i>Richard E. Tashian</i> . . . . .	60
THE SIXTY-NINTH STATED MEETING OF THE AMERICAN ORNITHOLOGISTS' UNION. By <i>Olin Sewall Pettingill, Jr.</i> . . . . .	67
GENERAL NOTES.—White Pelican from the Pleistocene of Oklahoma; The Identity of <i>Anser nigricans</i> Lawrence 1846; Records of the Black Pigeon Hawk, <i>Falco columbarius suckleyi</i> , in Utah; Sparrow Hawk, <i>Falco sparverius</i> , Eats Bread; Communal Roosting of American Rough-legged Hawks, <i>Buteo lagopus sancti-johannis</i> ; Food of a Family of Great Horned Owls, <i>Bubo virginianus</i> , in Florida; Blue Jay, <i>Cyanocitta cristata</i> , "Anting" with Burning Cigarettes; Display of Black-capped Chickadee, <i>Parus atricapillus</i> ; Starlings, <i>Sturnus vulgaris</i> , Catching Insects on the Wing; Starlings, <i>Sturnus vulgaris</i> , Eating Monarch Butterflies; Nesting of Bell's Vireo, <i>Vireo bellii</i> , in Louisiana; Number of Contour Feathers on a Cowbird, <i>Molothrus ater</i> ; "Scaly Leg" (Cnemidocoptiasis) in the Red-winged Blackbird, <i>Agelaius phoeniceus</i> . . . . .	81
RECENT LITERATURE. . . . .	92
OBITUARIES.—Annie Montague Alexander; Ross Stewart Baker; Sherman Chauncey Bishop; Ewart Lount Brereton; Marcel Henri Felix de Contreras; Walter Elmer Ekblaw; Alden Hervey Hadley; George MacReynolds; John Edward Maher; William White McCall; John Thomas Miner; Leslie Loraine Pontius; Katie Myra Roads; Mary Hall Schaub; Grace Marion Snow; Wilson Tout; Bernard William Tucker. . . . .	120

---

## NUMBER 2

THE DEVELOPMENT OF SOCIAL BEHAVIOR IN BIRDS. By <i>N. E. Collias</i> . . . . .	127
FLOCKING BEHAVIOR IN BIRDS. By <i>John T. Emlen, Jr.</i> . . . . .	160
SOCIAL BEHAVIOR AND REPRODUCTION. By <i>David E. Davis</i> . . . . .	171

SOCIAL BEHAVIOR AND SURVIVAL. By <i>F. Fraser Darling</i> . . . . .	183
THE ALLEGHENY MOUNTAINS AS A BARRIER TO BIRD MOVEMENT. By <i>Maurice Brooks</i> . . . . .	192
GENERAL NOTES.—Discovery of an Unrecorded, Mounted, Male Specimen of the Labrador Duck, <i>Campiorhynchus labradorius</i> ; A Peculiar Pigmentation; Vestigial Claws on the Wings of the Kiskadee Flycatcher, <i>Pitangus sulphuratus caucensis</i> ; Genera of Birds Bearing Vestigial Claws on the Wings; Captive Raven Carries Food to Non-captive Black Vulture; The Number of Eggs Laid by the Passenger Pigeon, <i>Ectopistes migratorius</i> . . . . .	199
NOTES AND NEWS . . . . .	202
RECENT LITERATURE. . . . .	203
OBITUARIES.—Walter Allen Angell; Frank Weston Benson; Sidney Chase; Elizabeth Rand Cox; Hermann Grote; Edward King Hammond; Harold Herrick; John Southgate Yeaton Hoyt; Robert Owen Merriman; Oscar Rudolph Neumann. . . . .	223

---

### NUMBER 3

DISPERSAL, BREEDING BEHAVIOR, AND LONGEVITY OF BANDED BARN OWLS IN NORTH AMERICA. By <i>Paul A. Stewart</i> . . . . .	227
OBSERVATIONS OF DUCK HAWKS NESTING ON MAN-MADE STRUCTURES. By <i>Horace Groskin</i> . . . . .	246
DISTRIBUTIONAL NOTES ON SOME PHILIPPINE BIRDS. By <i>D. S. Rabor</i> . . . . .	253
IN MEMORIAM: LYNDY JONES. By <i>S. Charles Kendeigh</i> . . . . .	258
OFFSHORE OBSERVATIONS OF TROPICAL SEA BIRDS IN THE WESTERN PACIFIC. By <i>Keith L. Dixon</i> and <i>William C. Starrett</i> . . . . .	266
CERTAIN MOLTS AND PLUMAGES OF ACADIAN AND YELLOW-BELLIED FLYCATCHERS. By <i>Robert M. Mengel</i> . . . . .	273
HATCHING OF EGGS OF HAND-REARED WOOD THRUSHES. By <i>H. Roy Ivor</i> . . . . .	284
HAZARDOUS NESTING OF THE CHIMNEY SWIFT. By <i>Ralph W. Dexter</i> . . . . .	289
BIRDS FROM POPOCATÉPTL AND IXTACCÍHUATL, MEXICO. By <i>Raymond A. Paynter, Jr.</i> . . . . .	293
A JOINT NESTING OF CARDINALS AND SONG SPARROWS. By <i>Hervey Brackbill</i> . . . . .	302
TWENTY-SEVENTH SUPPLEMENT TO THE AMERICAN ORNITHOLOGISTS' UNION CHECK-LIST OF NORTH AMERICAN BIRDS . . . . .	308
GENERAL NOTES.—Sex Displays of the Slate-colored Junco, <i>Junco hyemalis</i> ; Nesting of Clay-colored Sparrow, <i>Spizella pallida</i> , in Northern Ontario; Definitions for the Analysis of Survival of Nestlings; Notes on birds of Jamaica. . . . .	313
NOTES AND NEWS . . . . .	322

RECENT LITERATURE. . . . . 324

OBITUARIES.—William Procter; Charles Theodore Ramsden; Walter E Rogers;  
Orpheus Moyer Schantz; Rollin Burdette Trouslot; Arthur Baldwin  
Williams . . . . . 349

---

NUMBER 4

ZOOLOGY OF THE BAIRD EXPEDITION (1950) I. THE BIRDS OBSERVED IN  
CENTRAL AND SOUTH-EAST BAFFIN ISLAND. BY *V.C. Wynne-Edwards*. 353

LIFE HISTORY OF THE BLUE AND WHITE SWALLOW. BY *Alexander F. Skutch*. . . 392

BLACK-CAPPED AND CAROLINA CHICKADEES IN THE SOUTHERN APPALACHIAN  
MOUNTAINS. BY *James T. Tanner*. . . . . 407

HYBRIDIZATION OF CANADA GEESE WITH BLUE GEESE IN THE WILD. BY *Harvey  
K. Nelson*. . . . . 425

BIRDS ON THE GULF OF MEXICO. BY *George G. Williams*. . . . . 428

NESTING OF HICKS' SEEDEATER AT BARRO COLORADO ISLAND, CANAL ZONE. BY  
*Alfred O. Gross*. . . . . 433

THE HAWAIIAN COOT. BY *Charles W. Schwartz and Elizabeth Reeder Schwartz*. . 446

SUPPLEMENTARY DATA ON THE TROPICAL AVIFAUNA OF THE ARID UPPER MAGDA-  
LENA VALLEY OF COLOMBIA. BY *Alden H. Miller*. . . . . 450

GENERAL NOTES.—A Record of the Tasmanian White-capped Albatross, *Dio-  
medea cauta cauta*, in American North Pacific Waters; West Indian Black-  
capped Petrel, *Pterodroma hasitata*, Picked up on Fairfield Beach, Connect-  
icut; A Record for the Black-capped Petrel, *Pterodroma hasitata*, in Martin-  
ique; *Oceanodroma tethys tethys*, a Petrel New to the North American  
Avifauna; Captive Whooper Swans, *Cygnus cygnus*, Kill Other Waterfowl;  
First Flight of Trumpeter Swans, *Cygnus buccinator*; Introduction of the  
Domestic Pigeon; The Nomenclature of Certain Bulbuls (*Pycnonotus*): a  
Reconsideration; Observations on Remating in the American Robin, *Turdus  
migratorius*; A Warning Call of the American Robin, *Turdus migratorius*;  
Notes on Song Cessation . . . . . 458

NOTES AND NEWS . . . . . 470

RECENT LITERATURE. . . . . 471

OBITUARIES.—Frederick Henry Barratt; Dorothea Minola Alice Bate; Harriet  
Chapman (Mrs. Frederick L.) Battell; Lidian Emerson Bridge (Mrs.  
Edmund Bridge); Joseph Stockdale Briggs; William Henry Daffin; John  
Wilkins Eaton; Gus August Engeling; Mary Louise Fossler; Victor Gabori-  
ault; Edward Carlton Hoffman; Charles Bradley Isham; Ellsworth Duganne  
Lumley; Gertrude A. (Mrs. Henry J.) Nunnemacher; Arthur Augustus  
Osborne; Henry Joseph Perry; Eugene William Schmidt; Charles Edwin  
Shawen; Helen Granger Whittle; Burtis Harris Wilson . . . . . 491

INDEX TO VOLUME 69. . . . . 497

TITLE-PAGE . . . . .

DATES OF PUBLICATION . . . . .	ii
CONTENTS OF VOLUME 69 . . . . .	iii
CORRIGENDA . . . . .	vi

## LIST OF PLATES

Plate	Opposite page
1. OEHSE: Florence Merriam Bailey . . . . .	24
2. MASLOWSKI: Boat-tailed Grackle—Display . . . . .	127
3. GROSKIN: Duck Hawk—Nest, Young, and Adult: Adult in Flight . . . . .	250
4. GROSKIN: Female Duck Hawk Incubating . . . . .	250
5. GROSKIN: Female Duck Hawk with Eggs and with Young . . . . .	250
6. KENDEIGH: Lynds Jones . . . . .	258
7. DEXTER: Chimney Swifts—Nests, Eggs, Nestlings . . . . .	290
8. BRACKBILL: Cardinals and Song Sparrows at Communal Nest . . . . .	306
9. MASLOWSKI AND GOODPASTER: Carolina Chickadee . . . . .	408
10. NELSON: Hybrid Canada—Blue Goose . . . . .	425
11. GROSS: Hicks' Seedeater—Female, Nest, Eggs . . . . .	440
12. SCHWARTZ AND SCHWARTZ: Hawaiian Coot—Habitat . . . . .	448
13. SCHWARTZ AND SCHWARTZ: Hawaiian Coot—Entering Nest . . . . .	448
14. SCHWARTZ AND SCHWARTZ: Hawaiian Coot—Incubating . . . . .	448
15. SCHWARTZ AND SCHWARTZ: Hawaiian Coot—Nest, Eggs . . . . .	448
16. SLIPP: Tasmanian White-capped Albatross . . . . .	458

## CORRIGENDA

Page 66, line 1: for '*Tanagra*,' read '*Tangara*.'

Page 209, lines 22 and 23 should read: 'Doves do not need 77% success in order to keep up the population'—MARGARET M. NICE.

Page 319, line 4 should read: ' $pa = (0.368)^3 = 0.0499$ .'



# THE AUK

A Quarterly Journal of Ornithology

ORGAN OF THE AMERICAN ORNITHOLOGISTS' UNION

For publication in 'The Auk,' articles or notes must present material that has not been published elsewhere and that is of significance to ornithologists. All manuscripts should be typewritten, double spaced, with wide margins. Titles should be brief. Terminal bibliographies are used as a rule for long articles. Where fewer than five references to literature are made, they may be inserted in parentheses in the text. References in manuscript for 'General Notes' must always be in the text. Consult issues of 'The Auk' since January, 1949, for style of citation. Long articles should be summarized briefly. Footnotes, Roman numerals, and ruled tables are to be avoided. Acknowledgments belong in the text. Line drawings must be in India ink on white paper or drawing board; usually these should be planned for at least one-half reduction when printed. Thus, details and lettering must be correspondingly large. Captions must be brief. Photographs must be hard, glossy prints of good contrast. Common and scientific names of North American birds should follow the A.O.U. Check-List except in taxonomic papers giving formal, critical discussions.

Proofs of all articles and notes will be sent to authors. Reprints from articles, 'General Notes,' and 'Correspondence' are to be paid for by the author. These must be ordered from the Editor on the blanks sent with the proof and must be returned with the proof. Printed covers can be furnished at additional cost.

All articles and notes submitted for publication and all books and publications intended for review should be sent to the Editor elect.

ROBERT W. STORER  
*Museum of Zoology  
University of Michigan  
Ann Arbor, Michigan*

Send changes of address, claims for undelivered or defective copies of 'The Auk,' and requests for information relative to advertising, subscriptions, back numbers of 'The Auk,' as well as for other publications of the A.O.U., to the Treasurer,

R. ALLYN MOSER  
*90th and Farnam  
Omaha 6, Nebraska*

---

## OFFICERS OF THE AMERICAN ORNITHOLOGISTS' UNION

*President:* JOSSELYN VAN TYNE, University of Michigan Museum of Zoology, Ann Arbor, Michigan.

*Vice-Presidents:* ALDEN H. MILLER, University of California Museum of Vertebrate Zoology, Berkeley 4, California.

LUDLOW GRISCOM, Museum of Comparative Zoology, Cambridge 38, Mass.

*Secretary:* ALBERT WOLFSON, Northwestern University, Evanston, Illinois.

*Treasurer:* R. ALLYN MOSER, 90th and Farnam, Omaha 6, Nebraska.

**JEAN DELACOUR**

*International Bird Protectionist  
and Museum Director*

**Says**

A lifetime of bird study and writing has made me very conscious of how much migration data, changing abundance and habits of our native birds never gets into print. Valuable day to day observations by thousands of amateurs are thus lost to science. *Audubon Field Notes*, with its comprehensive coverage of the entire country under a series of Regional Editors, at last offers a real solution.

The amateur who himself enjoys watching and recording the annual pageant of migration should not fail to contribute his observations. However, every American with an even passing interest in birds should, whether he submits reports or not, subscribe to and help to support *Audubon Field Notes*—a truly unique publication.

Sincerely yours,

JEAN DELACOUR

**AUDUBON FIELD NOTES**

**\$2.00 A YEAR (six issues)**

**1000 Fifth Avenue, New York 28, N. Y.**

## **BINOCULARS FOR BIRDING**

**Should always be  
Adjusted to U. S. Government Specifications**

**ALL BINOCULARS WE SELL** are shock tested, and checked on our precision collimator, to make sure they meet these rigid requirements. Our new and reconditioned glasses include the finest American and German makes, and a full line of the best Japanese (including a coated 6x30 for only \$39.50). Liberal trade-ins. We ship on 20 days' trial with refund guarantee; send for our free list.



**ALL BINOCULARS WE REPAIR** are adjusted to the same specifications. We repair and coat all types and makes. Send your glass for free estimate, and our free leaflet "These Hard-Coating Jobs." We also check glasses without charge and answer questions personally.

**For how to use, choose and check a binocular read  
our articles published in Audubon Magazine  
"Know Your Binoculars"**

*Reprint priced 10c, no charge to A.O.U. members.*

**MIRAKEL REPAIR CO.**

*Binocular Specialists Since 1923*

**Mount Vernon 10, N. Y.**

## **We Have a Book Catalog for You**

Catalogs issued semi-annually—books on birds, mammals and other natural history subjects; current, out-of-print titles, and serials. Catalog sent on request.

We buy natural history books. Generous prices, prompt payment. We are interested in buying single volumes or complete collections of books.

**PIERCE BOOK COMPANY**

*Dealers in Natural History Books*

**Winthrop, Iowa**