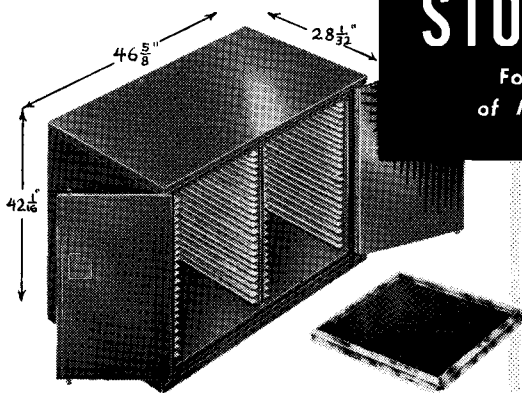


Skin Case #201 for Large Trays

**SKIN CASES
FOR
MAXIMUM
PROTECTION
CONVENIENCE
ECONOMY!**

Lane



Skin Case #202 for Small Trays

ZOOLOGICAL AND ORNITHOLOGICAL

SPECIMEN STORAGE CASE

*For Protective Storage
of Mammal & Bird Skins*

- Locked "Live Rubber" Seal
- Sturdy double panel doors
- Locking mechanism secures both doors
- Tray guides permit maximum position of tray positions
- Fumigant Compartment
- Specimen Trays of aluminum and masonite — light weight — easy to handle.

FOR ILLUSTRATED BROCHURE WRITE

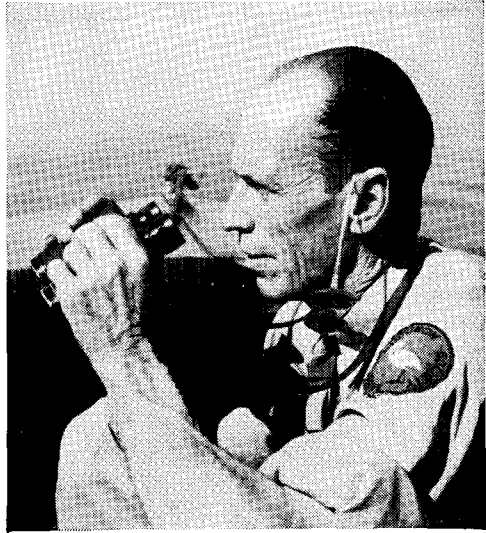
Institutional Division

CHAS. J.

Lane CORP.

46 West Broadway, New York 7, N. Y.

ALEXANDER SPRUNT, JR., is one of America's leading ornithologists. For many years he has been a member of the staff of the National Audubon Society and now serves as an Audubon Screen Tour lecturer, a leader of Audubon Wildlife Tours, and a bird instructor at the Audubon Camp of Texas. He is a co-author of South Carolina Bird Life and is a frequent contributor to Audubon Magazines and The Auk.

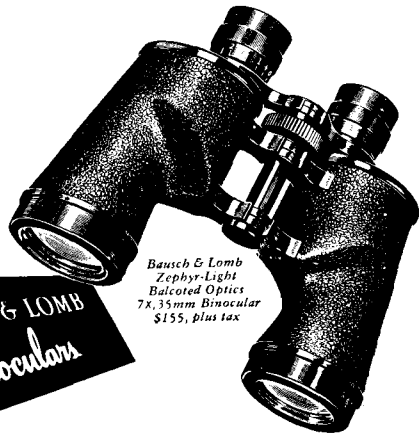


*For Clarity...
Brightness...
Light weight*

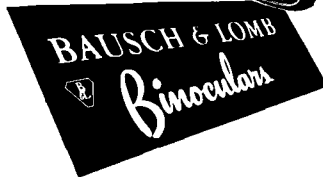
Writes ALEX SPRUNT, JR.: "A great many of the people who take Audubon Wildlife Tours—and students at Audubon Summer Camps—use Bausch & Lomb Binoculars. All of us who use them are much impressed by their clarity and brightness, which is very important to bird watchers, and with their lightness, which makes them so easy to handle. They are superb instruments!"

Alex Sprunt Jr.

WRITE FOR FREE CATALOG. 32 pages of useful information you should know before you buy any binocular. Tells how to select a glass for your own use. Bausch & Lomb Optical Co., 12204 Lomb Park, Rochester 2, New York.



*Bausch & Lomb
Zephyr-Light
Balcoted Optics
7x, 35mm Binocular
\$155, plus tax*



THE AUK

A Quarterly Journal of Ornithology

ORGAN OF THE AMERICAN ORNITHOLOGISTS' UNION

For publication in 'The Auk,' articles or notes must present material that has not been published elsewhere and that is of significance to ornithologists. All manuscripts should be typewritten, double spaced, with wide margins. Titles should be brief. Terminal bibliographies are used as a rule for long articles. Where fewer than five references to literature are made, they may be inserted in parentheses in the text. References in manuscript for 'General Notes' must always be in the text. Consult issues of 'The Auk' since January, 1949, for style of citation. Long articles should be summarized briefly. Footnotes, Roman numerals, and ruled tables are to be avoided. Acknowledgments belong in the text. Line drawings must be in India ink on white paper or drawing board; usually these should be planned for at least one-half reduction when printed. Thus, details and lettering must be correspondingly large. Captions must be brief. Photographs must be hard, glossy prints of good contrast. Common and scientific names of North American birds should follow the A.O.U. Check-List except in taxonomic papers giving formal, critical discussions.

Proofs of all articles and notes will be sent to authors. Reprints from articles, 'General Notes,' and 'Correspondence' are to be paid for by the author. These must be ordered from the Editor on the blanks sent with the proof and must be returned with the proof. Printed covers can be furnished at additional cost.

All articles and notes submitted for publication and all books and publications intended for review should be sent to the Editor,

HARVEY I. FISHER
*Department of Zoology
University of Illinois
Urbana, Illinois*

Send changes of address, claims for undelivered or defective copies of 'The Auk,' and requests for information relative to advertising, subscriptions, back numbers of 'The Auk,' as well as for other publications of the A.O.U., to the Treasurer,

R. ALLYN MOSER
*R. R. No. 1
Omaha 4, Nebraska*

OFFICERS OF THE AMERICAN ORNITHOLOGISTS' UNION

President: JOSSELYN VAN TYNE, University of Michigan Museum of Zoology, Ann Arbor, Michigan.

Vice-Presidents: ALDEN H. MILLER, University of California Museum of Vertebrate Zoology, Berkeley 4, California.

LUDLOW GRISCOM, Museum of Comparative Zoology, Cambridge 38, Mass.

Secretary: ALBERT WOLFSON, Northwestern University, Evanston, Illinois.

Treasurer: R. ALLYN MOSER, R. R. No. 1, Omaha 4, Nebraska.

S. CHARLES KENDEIGH *Says*

Leading Ecologist

I would like to say a few words concerning the contribution made by Audubon Field Notes to science. I believe the contribution made by Audubon Field Notes is especially important in the field of ecology.

All persons interested in observations of birds out-of-doors and in understanding their behavior and distribution should certainly subscribe to this periodical. Not only that, they should also participate in the studies going on. They are very much worthwhile.

AUDUBON FIELD NOTES

1000 Fifth Ave., New York 28, N.Y.

\$2 A YEAR
(six issues)

BINOCULARS FOR BIRDING

Should always be
Adjusted to U. S. Government Specifications

ALL BINOCULARS WE SELL are shock tested, and checked on our precision collimator, to make sure they meet these rigid requirements. Our new and reconditioned glasses range from an American binocular (with maximum light transmission and widest field ever achieved) at \$175 to a coated Japanese binocular at \$32.50, and a field glass at \$14.95. Liberal trade-ins. We ship on 20 days' trial with refund guarantee; send for our free list.



ALL BINOCULARS WE REPAIR are adjusted to the same specifications. We repair and coat all types and makes. Send your glass for free estimate, and our free leaflet "These Hard-Coating Jobs." We also check glasses without charge and answer questions personally.

For details how to choose, use and check a binocular
Read our booklet "The Inside Story of Binoculars"
Fully illustrated 25c postpaid

MIRAKEL REPAIR CO.

Binocular Specialists Since 1923
Mount Vernon 10, N. Y.

We Have a Book Catalog for You

Catalogs issued semi-annually—books on birds, mammals and other natural history subjects; current, out-of-print titles, and serials. Catalog sent on request.

We buy natural history books. Generous prices, prompt payment. We are interested in buying single volumes or complete collections of books.

PIERCE BOOK COMPANY

Dealers in Natural History Books
Winthrop, Iowa